



'16

2016 EQUIPMENT
CATALOG



MAXSTAR ORBIT PACKAGE



OPTIONAL ORBIT 440 CUSPIDOR UTILITIES



OPTIONAL ORBIT 443 CUSPIDOR UTILITIES



MAXSTAR ORBIT PACKAGE

Shown in optional Raven Wing Ultraleather® upholstery.

Shown Above: Model MAX100A delivery shown with DC1700 chair without slings, LuxStar light, and Orbit 440 Assistant's Instrumentation.

Standard MaxStar Orbit Package:	Orbit	Euro
Model MAX100A or MAX100E delivery system*	\$5,990	\$7,250
Model DC1700 or DC1702 chair	\$6,695	\$6,695
Model OL1000 LuxStar orbit light*	\$3,090	\$3,090
Model DC5140 Deluxe doctor's stool	\$845	\$845
Model DC5130 Deluxe assistant's stool	\$970	\$970
Total	\$17,590	\$18,850

* can only be mounted to a Marus hydraulic chair

CHAIRS PG 16



MAXSTAR ORBIT DELIVERY SYSTEM PRICING

STANDARD FEATURES		PART NO.	MODEL	MAX100A	MAX100E
<i>Suggested Retail Price</i>					
MaxStar Orbit asepsis dental unit - can only be mounted on a Marus Hydraulic Chair				\$5,990	
MaxStar Orbit Euro dental unit - can only be mounted on a Marus Hydraulic Chair					\$7,250
Deluxe automatic control for three handpieces and syringe				Asepsis	Euro
Individual water coolant controls		55R280		•	•
Standard three-way syringe with autoclavable tip—asepsis		21R395		•	
Standard three-way syringe with autoclavable tip—Euro		21R374			•
Asepsis flex arm with air lock		51R425		•	•
Stainless steel tray and anti-skid pad		30R573		•	•
Swivel tray arm and tray		30R663			•
Deluxe contoured junction box		54R152		•	•
Wet/dry foot control		55R535		•	•
Master on/off		55R187		•	•
Self-contained water system w/ 2 way routing valve		85R329		•	•
2-way routing toggle valve-city/bottle switch		48R024-1		•	•
Orbit chair mounting bracket, post and hardware		25R616-1		•	•
Internal umbilical		47R569		•	•
J-box cover (MaxStar Orbit)		87R092		•	•
J-box frame		30799		•	•
FACTORY OPTIONS		PART NO.	PRICE	MAX100A	MAX100E
Orbit flat screen monitor mount (comes with post)* -requires PN 25R616-1 simple swivel (when no unit is ordered) upcharge \$875					
		30R286	\$995	•	•
Additional handpiece control and tubing—1 additional		32R254	\$410	•	
Additional handpiece control and tubing—2 additional		32R255	\$795	•	
Additional Euro handpiece control and tubing, total 4 max		30R912	\$6,020		•
Additional internal umbilical, 1-9 additional feet available in odd foot increments		47R569-xx	\$45/foot	•	•
Foot control, wet/dry chip blower—in place of wet/dry		55R527-1	\$90	•	•
Swivel tray assembly		30R219	\$385	•	
Touch pad on control head for all chair functions		LH 30R218-1	\$560	•	•
		RH 30R214-1	\$560	•	•
Deluxe autoclavable 3-way doctor's syringe—in place of standard syringe		21R295	\$75	•	
Deluxe Euro autoclavable 3-way doctor's syringe—in place of standard syringe		21R299	\$95		•
Piezo Scaler (See page28 for options) 115/230 Volt		30R870	\$2,400	•	•
Sunlite LED curing light		30697	\$1,790	•	•
Handpiece intraoral illumination system—see pg. 29				•	•
J-Box assembly no frame/cover		31121	-\$235	•	•

STANDARD FEATURES		PART NO.	MODEL	ORBIT 440	ORBIT 443
<i>Suggested Retail Price</i>					
MODEL Orbit 440 - Assistant's utility option: Standard syringe with autoclavable tip, HVE, SE and hose, assistant's utilities on rear arm*		Orbit440		\$1,680	
MODEL Orbit 443 - MaxStar Orbit cuspidor utility with porcelain bowl, timed bowl rinse, timed cup filler, solids separator, standard syringe with autoclavable tip, SE, HVE and hose*		Orbit443			\$2,925
FACTORY OPTIONS		PART NO.	PRICE	ORBIT 440	ORBIT 443
Air outlet – 1/4" QD		31129	\$70		•
Water outlet – 1/4" QD		31150	\$120		•
Additional autoclavable HVE and hose		55R411	\$140	•	•
Remote cuspidor and cup fill controls, unit mounted		85R171	\$215		•
Assistant's autoclavable syringe—on models 440 or 443, in place of in place of standard syringe		21R297	\$75	•	•
Kit, Air, Water QD		31073	\$180	•	

Estimated shipping weight
Estimated volume (CF)

122lbs. / 55.34 kg. 131 lbs. 59.42 kg.
16.45 CF / .47 M³ 16.45 CF / .47 M³

CART STYLE DELIVERY SYSTEMS

DOCTOR'S CART MODEL MC3260

Model MC3262
(not pictured) includes assistant's utilities



DUAL PURPOSE CART MODEL MC4040



Countertop color is Surf.
Solid surface not available.

CART DIMENSIONS

MC3260 DIMENSIONS

Length: 17" (43.2 cm)
Width: 15 1/2" (39.4 cm)
Height: 25 1/2" (65 cm) 36" (91.4 cm)
Umbilical Standard 6 ft P/N 32R226

MC4040 DIMENSIONS

Length: 23" (66 cm)
Width: 28" (71.1 cm)
Height: 29" (73.7 cm) 37" (94 cm)
Umbilical Standard 6 ft P/N 32R268

SIDE-MOUNT DELIVERY SYSTEMS

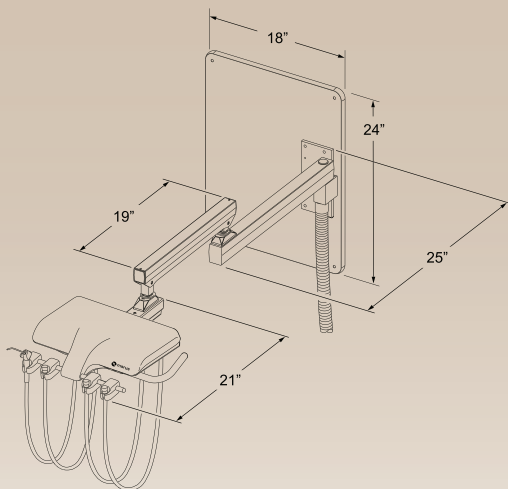
DOCTOR'S WALL MOUNT
SIDE DELIVERY SYSTEM
MODEL SD1392



SIDE DELIVERY DIMENSIONS

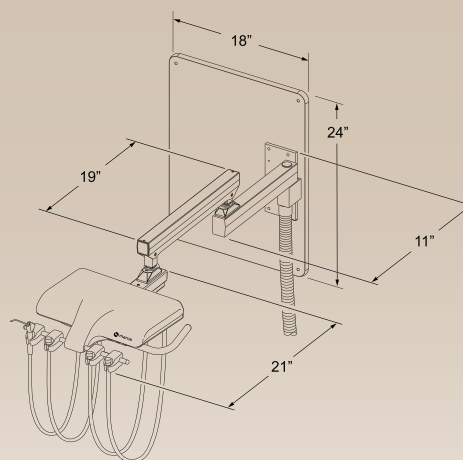
SD1392

Wall Mount



SD1396

Cabinet Mount



LUXSTAR LIGHT



STANDARD UNIT
MOUNT LIGHT
MODEL UL1000



MAXSTAR UNIT MOUNT
MODEL ML1000

ORBIT UNIT LIGHT
MODEL OL1000

INTRAORAL HANDPIECE ILLUMINATION SYSTEM PRICING

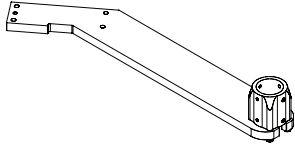
SYSTEM	PART NO.	PRICE
Complete Variable ISO-B, 5-pin System with Handpiece Tubing (115V) Includes: Variable Illumination System ISO-B Handpiece Tubing, Light Gray Lamp Module for 5-Hole Handpiece Tubing	30R280 30R284 10R371 015R060	\$1,125
Complete Variable ISO-B, 5-pin System with Handpiece Tubing (230V) Includes: Variable Illumination System ISO-B Handpiece Tubing, Light Gray Lamp Module for 5-Hole Handpiece Tubing	30R281 30R285 10R371 015R060	\$1,125
Complete Variable ISO-C, 6-pin System with Handpiece Tubing (115V) Includes: Variable Illumination System ISO-C Handpiece Tubing, Light Gray	30R282 30R284 10R003	\$1,025
Complete Variable ISO-C, 6-pin System with Handpiece Tubing (230V) Includes: Variable Illumination System ISO-C Handpiece Tubing, Light Gray	30R283 30R285 10R003	\$1,025
FEATURES		
<ul style="list-style-type: none"> • Fits any 5-hole or ISO-C handpiece • Up to three handpiece tubings • Automatic activation by drive air • Variable power pack for increased bulb life 	<ul style="list-style-type: none"> • Voltage regulated • Each tubing independently adjustable • Brilliant long-life Krypton lamp 	
FACTORY OPTIONS		
ISO-B, 5-Hole handpiece tubing, straight light gray (bulb not included)	10R371	\$340
ISO-C handpiece tubing, straight light gray	10R003	\$275
ISO-B, 5-Hole quick connect swivel tubing, "Euro" light gray	10R004	\$415
<i>5-hole tubings connect to any ISO-B 5-hole handpiece using #015R060 lamp module.</i>		
<i>ISO-C tubings connect directly to any 6-pin ISO-C handpiece. Lamp is supplied within handpiece.</i>		
<i>Quick connect tubing converts any 5-hole handpiece to quick connect and swivel. #10R393 adapter kit required.</i>		
Lamp Module for all 5-Hole Handpiece Tubings	015R060	\$90
<i>High intensity Krypton-Halogen lamp, 80 hour life, mounts directly behind handpiece.</i>		
Quick Connect Swivel Handpiece adapter Kit	10R393	\$100
<i>Kit incorporates parts that install on any 5-hole handpiece to permit connection to Q.C. swivel tubing.</i>		
5-Hole to ISO-C adapter Module	10R397	\$180
<i>adapter is used to field convert 5-hole handpiece tubings to ISO-C 6-pin.</i>		
<i>Note: Marus does not warranty system lamps. The purchase of a spare bulb is recommended.</i>		

* All intraoral illumination systems have a 1 yr manufacturer's warranty.

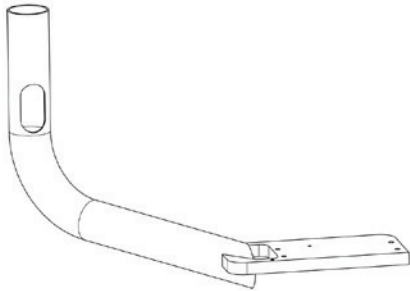
ADAPTERS, POLES, AND BUSHINGS

CHAIR-MOUNT ADAPTERS

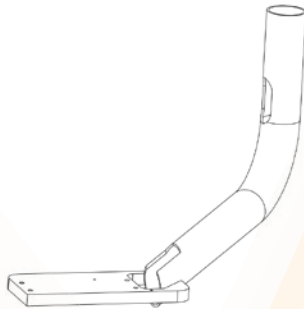
Marus Universal left or right 25R029-1 \$345



Deluxe Chair adapters
RH bracket 25R231 \$375



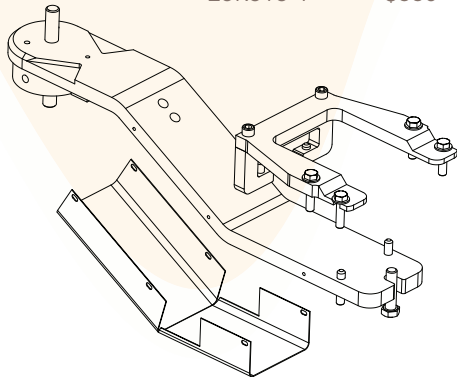
LH bracket 25R232 \$375



Note: For MaxStar units mounting to Marus chairs. For brackets not listed, contact Dental Chair Adapters and order direct.

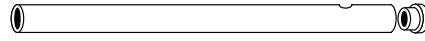
MARUS SIMPLE SWIVEL

Mount for Orbit units & lights
25R616-1 \$880

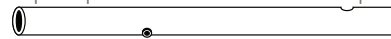


POWDER COATED POSTS

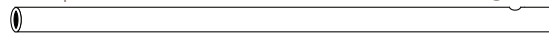
Clamp-mount post with cap plug 25R163 \$155
26" x 2" (66.04 x 5.08 cm.) O.D.
To mount cuspidor or any unit with a 2" (5.08 cm.) clamp mount



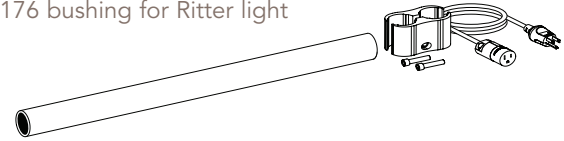
Top-of-post-mount post with bronze bushing insert 25R182 \$151
26" x 2" (66.04 x 5.08 cm.) O.D.
For top-of-post-mount units and cuspidor



Heavy-duty light post 25R185-1 \$260
48" x 2" (121.92 x 5.08 cm.) O.D. post, .156" (.4 cm.) wall
Adapts to Marus, Pelton & Crane, Adec and lights without bushings



Light post extension with clamp and cord 25R169 \$240
33" x 17/8" (83.82 x 4.76 cm.)
For Marus, Pelton & Crane, Adec and lights without bushings
Requires 25R176 bushing for Ritter light



Brand X light post (Parts/Line item) 25R256 \$260
This is a straight light post that will adapt a standard unit mount light (UL1000) to the MaxStar Package. Will accept Marus, Pelton & Crane and A-Dec without an adapter.

12-1/2" Utility Post 25R525 \$245
Post to mount the Pro+ or MaxStar assistant's utility center to the traditional chair bracket (25R029-1) or any other manufacture's chair bracket with a 2" hub.

BUSHINGS AND COLLAR

Bushing 25R176 \$75
1.375" (3.49 cm.) I.D., fits inside
1.705" (4.33 cm.) I.D.
For Marus post 25R185
For converting post for Ritter size light



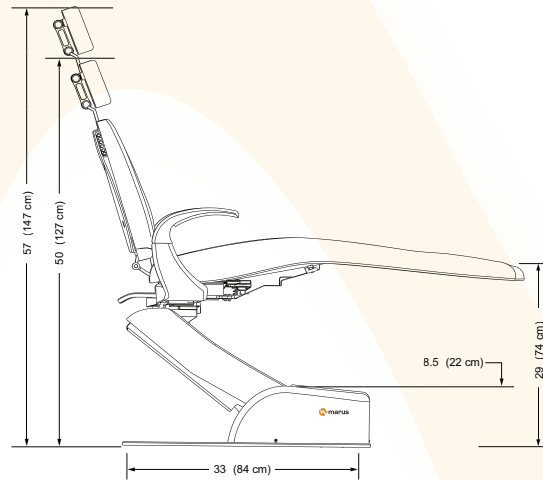
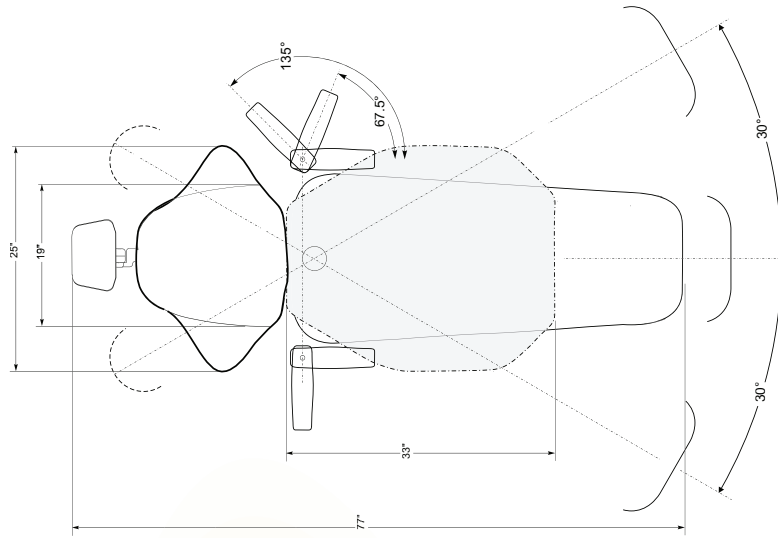
Bushing 25R173 \$90
Fits inside 1.705" (4.33 cm.) I.D.
For Marus post 25R185
For converting post for Belmont light



Post-mount collar 25R147 \$90
Powder coated - To attach 2" (5.08 cm.) post to a flat surface



NUSTAR SII CHAIR



LUXSTAR™ LIGHT DIMENSIONS

