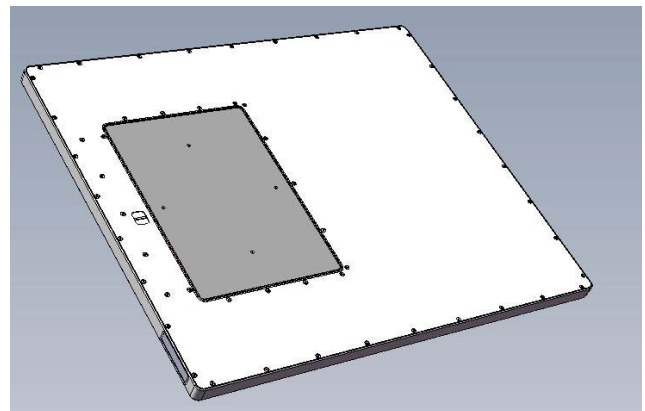
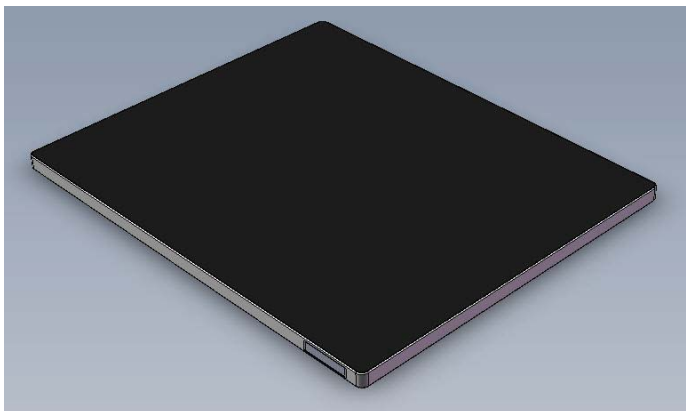
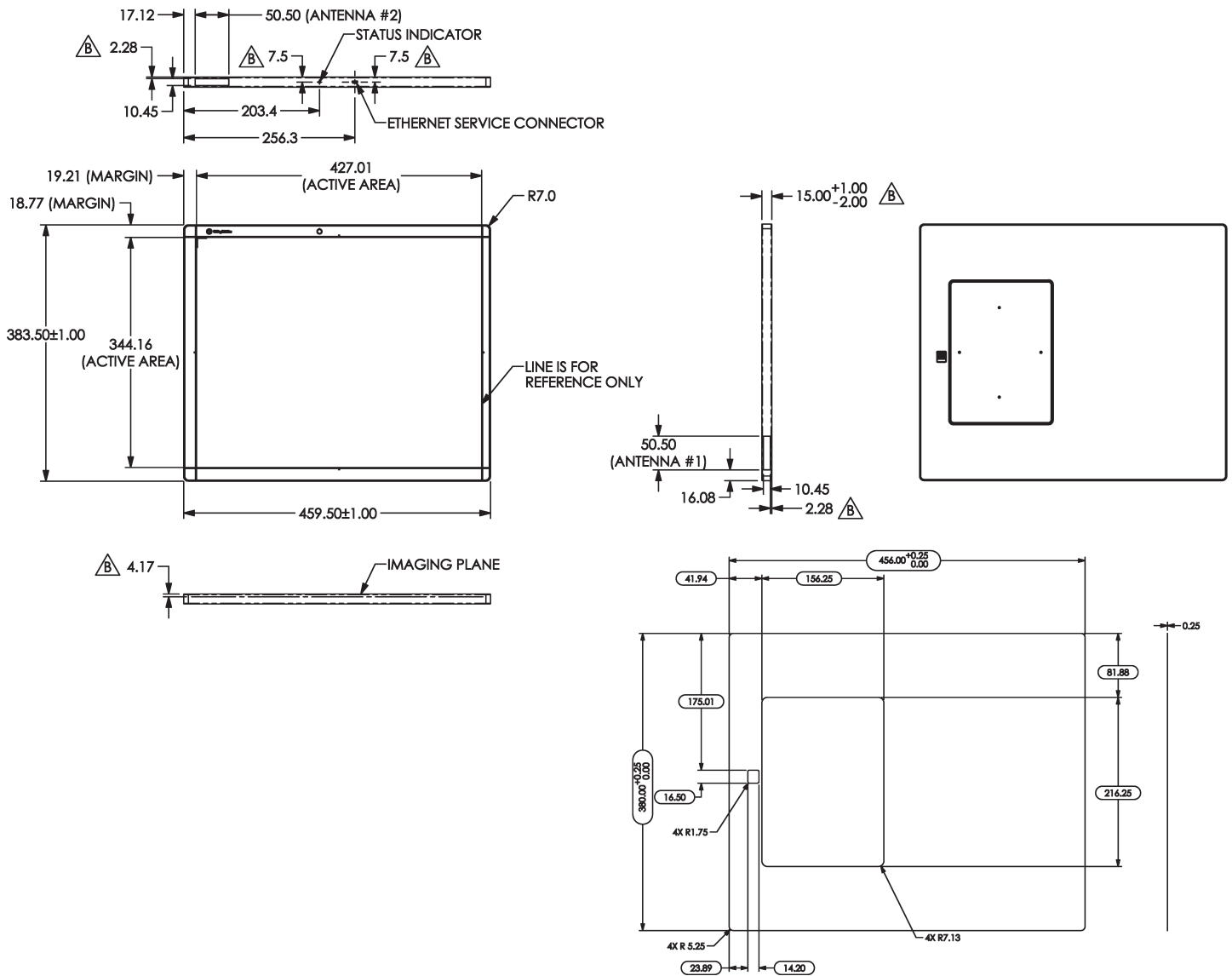


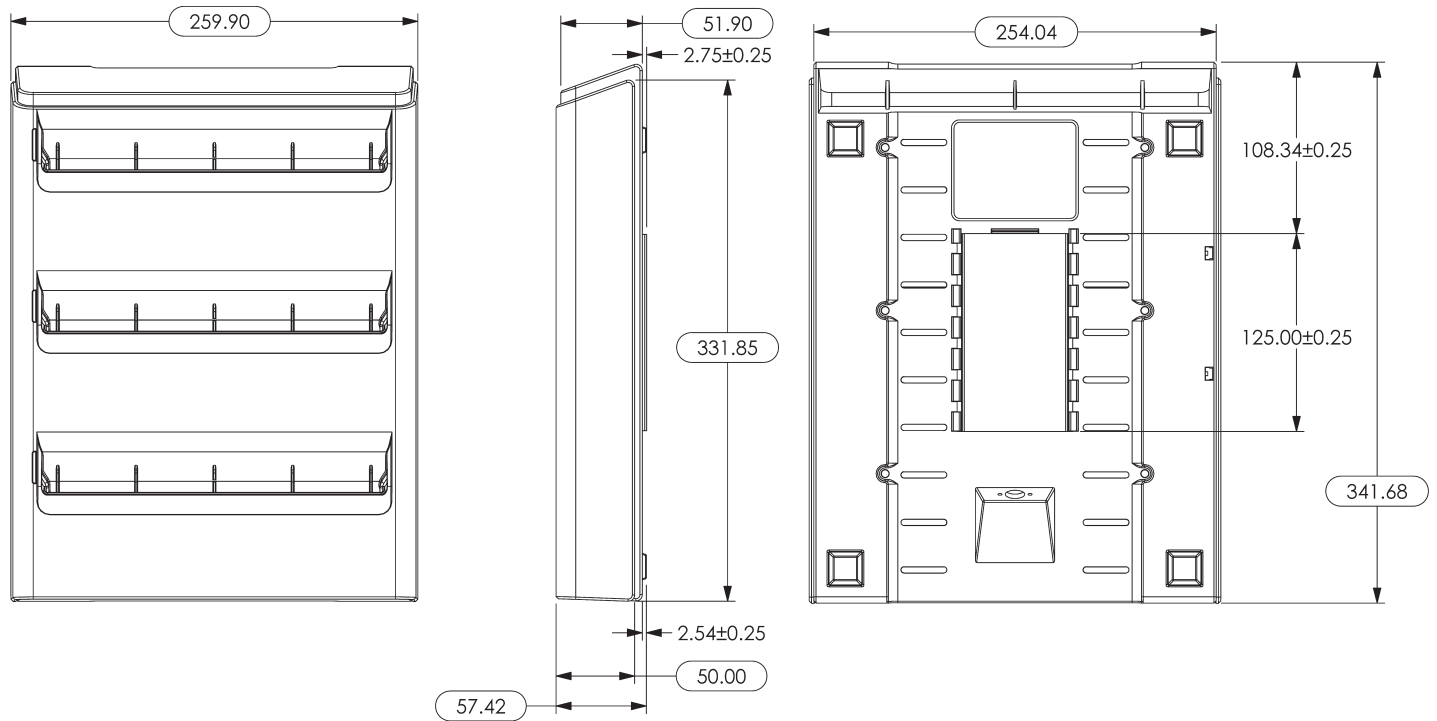


Dimensions are for reference only

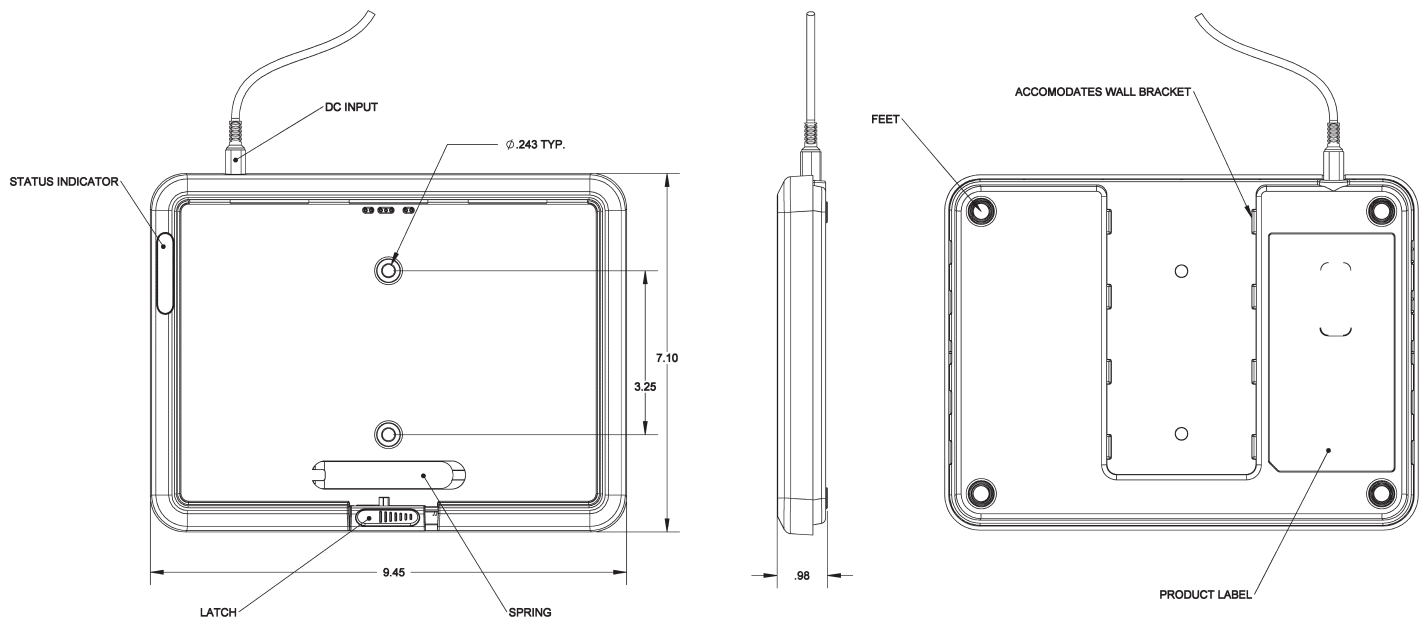
Dimensions are in mm



### Battery Charger (Optional)



### Single Bay Charger (Optional)



NOTE: All Varian Amorphous Silicon Image Receptors are designed to be integrated into a complete X-ray system by a qualified system integrator. The system integrator is responsible for obtaining FDA clearance for medical use.



1678 South Pioneer Road  
Salt Lake City, Utah 84104  
Phone: 801-972-5000  
Fax: 801-973-5050



Varian Proprietary & Confidential Information.  
Use is prohibited without Varian's express written consent.