

THE DENTAL
SOLUTIONS
COMPANY™



The intraoral X-ray family

dentsplysirona.com





Dentists trust in Dentsply Sirona

Imaging systems by Dentsply Sirona are the epitome of quality and supreme diagnostics, providing an array of options to support you and your practice in delivering the best possible care to your patients. We realize that every dentist is unique in the way they work and their technology should reflect this. Our intraoral product portfolio provides a number of custom options to support your unique practice and workflow.



"I have been working with digital X-ray units for over 20 years and for 15 of those years I have been using Dentsply Sirona products. For me, the Xios XG Supreme represents the biggest advance in image quality and intraoral diagnostics that I have seen in this time."

Dr. Jan Kirkedam, Norway



"We use Xios XG Supreme sensors together with the Heliodont Plus unit and especially appreciate the high image quality, which really surprised us. And there are also the case-specific setting options in the dynamic focus control that we can use to adjust our images based on the different findings, such as endo or perio cases."

Dr. Stefanie Kloß-Wahlig, Heppenheim



"We could feel the difference immediately after switching to Dentsply Sirona X-ray units. The accuracy and speed is incomparable. I would definitely recommend Dentsply Sirona to any colleague looking for a digital solution."

Dr. Seya Sivendra, Adelaide



"I'm glad about the wide range of X-ray solutions. I can take X-rays in my practice the way I like. I don't have to adjust to the products. The products adjust to me. Regardless of the X-ray unit I choose, the result and route taken are always optimal for me."

Dr. Antoine Hirardot, Le Man

Every practice is different

Each dentist has their own individual needs and requirements, and their practice reflects this – from patient numbers, to equipment, to the practice design and environment, each practice is unique. The intraoral product portfolio provides solutions to fit these custom profiles and workflows in order to better service your practice and patients.

Outstanding image quality

Optimum diagnostic reliability thanks to high-resolution images at the lowest dose.

Flexibility through modularity

Enjoy the wide range of modular product offerings, built to support the customization of your individual workflow.

Safety and quality

“Made in Germany” quality means that your technology comes with the highest level of durability, reliability and supreme craftsmanship.



The right solution for every workflow

Whether you're just starting out in the world of digital technology or you're establishing or updating an already fully digital practice, Dentsply Sirona's intraoral X-ray family has the right products to support and fit your individual needs and experience.



- 1 Heliodont Plus**
The modularity of the X-ray tube assembly Heliodont Plus enables it to adapt to your practice's surroundings, forming the basis for optimum X-ray images and allowing you quick and secure operation.



Supreme image quality with every solution

Be it sensors, imaging plates or X-ray tube assemblies: The image quality from Dentsply Sirona's intraoral X-ray family speaks for itself – naturally with the lowest dose according to the ALARA* principle.

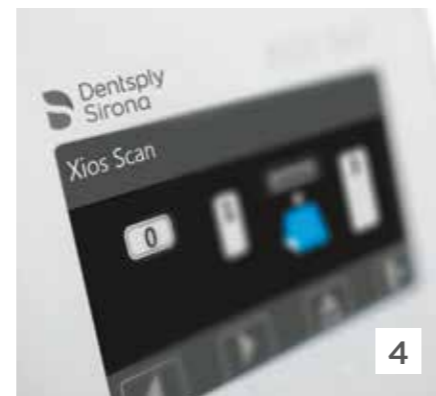
Through the combination of our intraoral X-ray products, from the X-ray generator to the holder system, the benefits are endless. Take your practice to the next level of intraoral care with Dentsply Sirona imaging systems.



- 2 Sidexis 4**
A modern design and intuitive tools – Sidexis 4 is the new centerpiece of the Dentsply Sirona X-ray family.



- 3 100% digital... Xios XG Supreme and Xios XG Select**
Are you looking for a solution that offers you all the possibilities of digital X-rays? With the Xios XG sensors, you don't just get X-ray images in HD quality and with diagnostic-focused filter functions; your workflow also becomes quicker and more flexible.



- 4 ...or entry in the digital world Xios Scan**
If you are currently using film and are looking to maintain a similar workflow, without the hassle that comes along with chemicals and a dark room, going digital may still be for you. Xios Scan, imaging plate scanner, enables you to go digital, while still operating in a similar workflow as you're accustomed to with film.



Xios XG Supreme and Xios XG Select



Intraoral Holder System



Xios Scan



Heliodont Plus

The highest degree of flexibility

The modularity of the Dentsply Sirona intraoral family allows us the ability to meet every dentist's individual needs with a customized solution tailored to their practice. Whether you have a relatively small practice with a few operatories or a large practice or clinic, all products can be configured to fit your requirements and preference. This allows for a smooth integration into your daily workflow and optimum results.



Sophisticated installation

The Heliident Plus offers a broad range of mounting options to allow for optimum configuration in each treatment room: wall mount, ceiling mount, mounted directly on the treatment center or on a mobile unit for easy mobility between operatories. In addition to multiple arm length options, to adapt to your spacial requirements, the equipment is also built to support your treatment style and allow you to work exactly how you're comfortable.



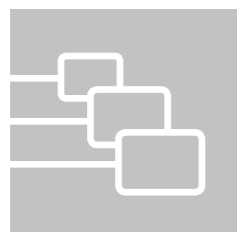
Sensor cable exchange

Multiple cable lengths and an easy-to-change cable help to provide flexibility in your workflow and extra security on your investment making sure you're never left without a sensor.



USB and WiFi

Solutions from Dentsply Sirona, with or without cables, ensure that you can work quickly and efficiently, while maintaining outstanding quality.



Multiple sizes

Both the imaging plates and sensors are available in multiple sizes, enabling even greater customized solutions for every patient and treatment situation.



Imaging Software Sidexis 4

Optimum workflow with a clear structure

Sidexis 4 provides a very clear and intuitive structure that has been built to mirror your daily workflow and operations. Patient data is seamlessly displayed for your reference, whether its 2D, 3D or intraoral images, supporting higher case acceptance and treatment proposals with your patients. In addition to your patient's present treatment, Sidexis 4 also provides easy access to a quick overview of their history as well, which allows you a time dimension incorporated into your diagnosis for easy reference. The lightbox is ideal for a comprehensive diagnosis as 2D/3D images, alongside camera images and facescan data can be compared side by side - in order to produce a more robust diagnosis.



Structured & clean setup for intuitive working

Advantages at a glance

- Modern design
- Software platform for all Sirona X-ray units
- Intuitive operation, optimally coordinated workflows
- Simple overview of the patient history thanks to the intuitive timeline
- Easy export and storage of DICOM Data Sets
- Interface of the integrated solutions from Dentsply Sirona



Individual image optimization

Outstanding image quality is only the start for the Xios XG Supreme. With the dynamic sharpening slider and task specific image enhancements, you can individually set sharpness, brightness and contrast for five different diagnoses. A one-time configuration in the software saves valuable time, enabling images to immediately appear in your preferred setting.



0%

50%

100%

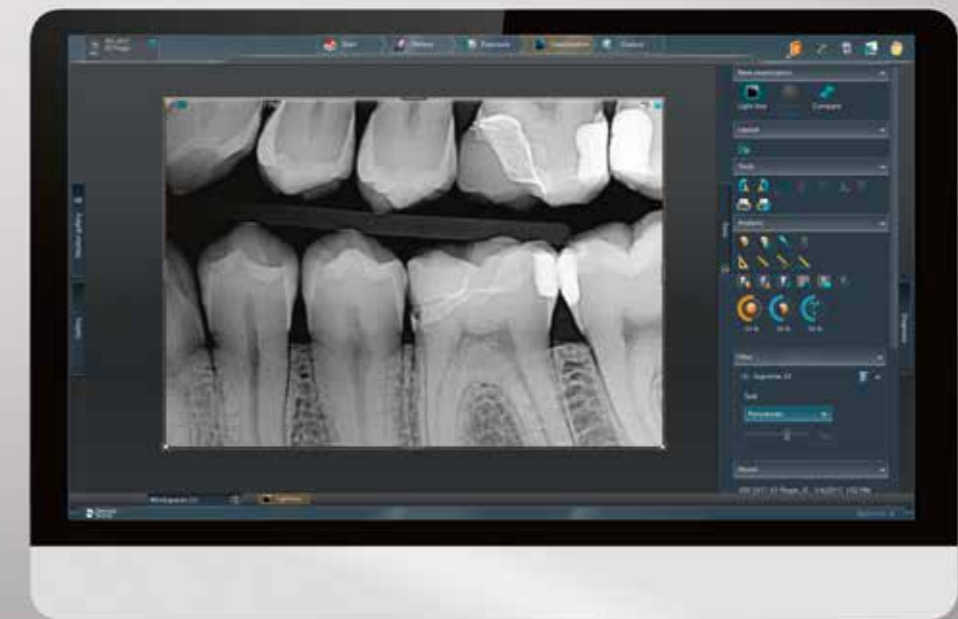
Xios XG Supreme

With 33 theoretical LP/mm* and a CSI scintillator, the Xios XG Supreme sensor provides a robust offering: low-noise, optimum contrast and high-resolution images acquired within seconds. The ideal imaging tool to provide quality images, with the convenience of immediate use in your treatment room. Xios XG Supreme delivers modern intraoral X-rays at the highest level of quality and care.

“The Xios XG Supreme sensors give me additional security for my diagnoses and my treatments.”

Dr. Anthony Ratanawongprasat, Australia

*Theoretical resolution



Your advantages with Xios XG Supreme

- Outstanding image quality
- The dynamic sharpening slider individually optimizes images
- WiFi option for wireless image transmission
- Easy-to-change cable



Your advantages with Xios XG Select

- High cost-effectiveness
- Good image quality
- WiFi option for image transmission without a cable
- Easy-to-change cable

Xios XG Select

Xios XG Select is the solution for every economically-minded dentist who doesn't want to miss out on an outstanding workflow. Multiple connection options, sensor sizes and simple operation make Xios XG Select completely flexible and reliable, while the high image quality optimally supports your diagnosis.



Xios XG Select

Xios XG Select stands for reliable image quality, high economic efficiency and full flexibility.



Consistently high image quality

The Xios XG Select digital sensor consistently offers high image quality, without loss of important diagnostic information due to plate scratches. In addition to a quick and safe diagnosis, you can also have piece of mind in the low dose that it requires during acquisition.

USB or WiFi Connectivity Options

With the Xios XG sensors, you have the option of USB or WiFi connectivity for optimal flexibility in your workflow. A smooth transition between the technologies is possible at any time to support a truly flexible workflow.



Proven and safe with the USB module



Safe and flexible with the WiFi module

The right sensor for every need

Xios XG Supreme and Xios XG Select sensors offer the best workflow and top image quality. The sensors can be adapted in size and used in your day-to-day work and practice. They further guarantee as well as guaranteeing the most efficient X-rays at the highest level.



Sensor sizes

- Size 2:** Adult bitewing and single tooth images
- Size 1:** Single tooth images for smaller adults, patients with a shallow palate and bitewings for larger children
- Size 0:** Pediatric images



Easy-to-change cable

The exchangeable cable offers maximum flexibility and security with the ability to not only change the cable length or replace a damaged cable within minutes time, but the ability to do so chairside and protect your investment without missing a beat.

Xios Scan

The Xios Scan allows smooth entry into the world of digital X-rays, while allowing your team to continue with their regular day to day operations. Not only does imaging plate technology open up a number of possibilities for your practice, but it also allows you to eliminate the need for a dark room and chemicals, freeing up valuable space and time. Converting from film to digital has never been so simple.



Your advantages with Xios Scan

- Smooth start in the digital world of x-rays
- Simple workflow
- Reliable image quality, 22 LP resolution
- 4 different plate sizes to choose from
- Automatic plate detection
- Compact and high-quality processing
- Hygienic application
- Maintenance-free

Optimally prepared

Select the plate size to fit your patient and the clinical case, or easily generate a series of images. In order to distinguish the active plate side, it features a blue backing.

Scanning without scratches

The Xios Scan eliminates mechanical pressure load during the initial insertion of the plate, which helps to prevent any unnecessary damage to the plates during processing and supports longevity and durability.

Image quality

The high diagnostic quality provided by the acquired images assist in an efficient practice workflow within the Sidexis 4 Software.



Heliodent Plus

The intraoral X-ray unit Heliodent Plus allows for optimal functionality in every practice. Both the modularity of its installation options, as well as its image quality exceed every expectation.

Sophisticated installation

Thanks to its various installation options, the Heliodent Plus is easily adaptable to every X-ray situation, regardless of a room's dimensions or layout. Whether your unit is a wall module, ceiling mount, attached to the Dentsply Sirona treatment center or is a mobile control unit, we provide options to fit each unique workflow.



Your advantages with Heliodent Plus

- Safe and intuitive operation
- The three optional arm lengths allow for flexibility in the operator
- Remote functionality allows the unit to be operated outside of the X-ray room
- Robust quality ensures durability



Wall model



Remote Control



Remote Timer



Manual release



Heliodent Plus on the treatment center



Heliodent Plus with mobile stand



Heliodent Plus with ceiling mount



Ceiling combination with LEDview Plus



20 cm standard cone



Round cone extension, 30 cm



Square cone extension, 30 cm



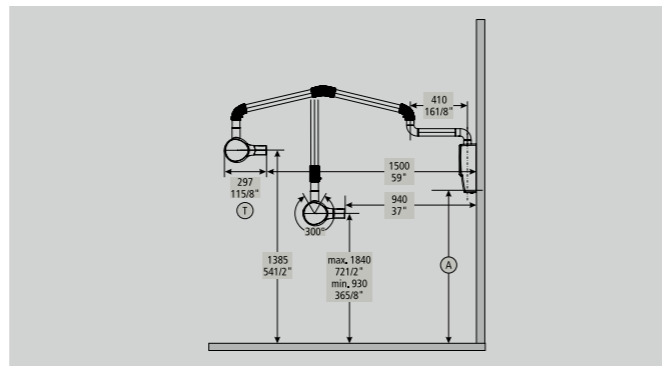
Configure your Heliodent Plus at: sirona.com/heliodent-configurator

Technical Data

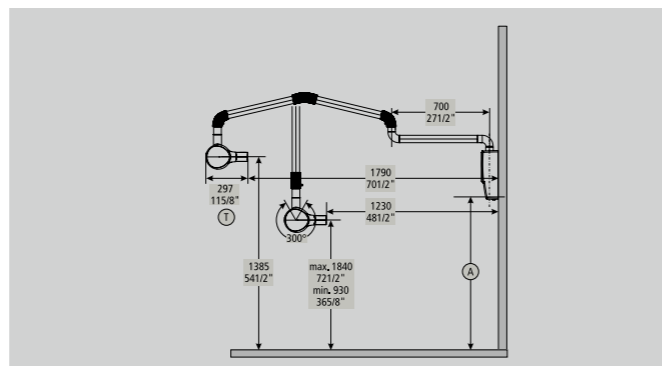
Xios XG Supreme	
Sensoren	
Sensor 0: Active surface	18 mm x 24 mm
Sensor 0: Overall dimensions	23.6 mm x 32 mm x 7.5 mm
Sensor 1: Active surface	20 mm x 30 mm
Sensor 1: Overall dimensions	25.4 mm x 38.3 mm x 7.5 mm
Sensor 2: Active surface	25.6 mm x 36 mm
Sensor 2: Overall dimensions	31.2 mm x 43 mm x 7.5 mm
Physical pixel size	15 µm
Measured resolution	28 LP/mm
Theoretical resolution	33 LP/mm
Sensor cable length	Up to max. 2.7 m
USB module	
USB port of USB module	Version 2.0
Power supply	USB port
WiFi	
Technology	IEEE 802.11b/g
Charging station for WiFi	
Function	Storage device and charger with LED status display

Xios XG Select	
Sensors	
Sensor 0: Active surface	18 mm x 24 mm
Sensor 0: Overall dimensions	23.5 mm x 32 mm x 6.3 mm
Sensor 1: Active surface	20 mm x 30 mm
Sensor 1: Overall dimensions	25.3 mm x 38.4 mm x 6.3 mm
Sensor 2: Active surface	25,6 mm x 36 mm
Sensor 2: Overall dimensions	31.2 mm x 43.9 mm x 6.3 mm
Physical pixel size	15 µm
Measured resolution	16 LP/mm
Theoretical resolution	16,7 LP/mm
Sensor cable length	Bis max. 2,7 m
USB module	
USB port of USB module	Version 2.0
Power supply	USB port
WiFi	
Technology	IEEE 802.11b/g
Charging station for WiFi	
Function	Storage device and charger with LED status display

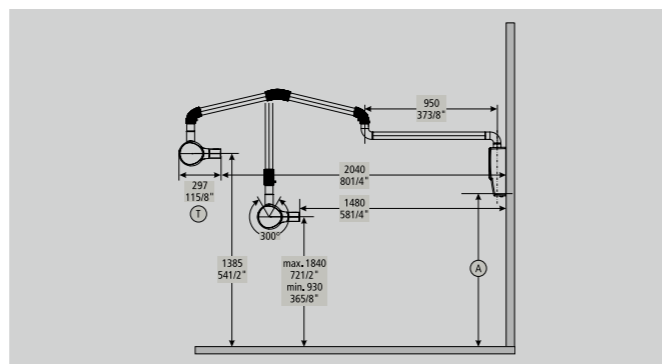
Xios Scan	
Dimensions (H x W x D)	363 mm x 163 mm x 286 mm
Weight	7.3 kg ± 0.5 kg
Pixel size	23 µm
Theoretical resolution	22 LP/mm
Interface	LAN
Dimensions Storage plate intraoral	
Size 0	31 mm x 22 mm
Size 1	24 mm x 40 mm
Size 2	31 mm x 41 mm
Size 3	27 mm x 54 mm



Heliodent Plus, medium support arm*



Heliodent Plus, long support arm*



Heliodent Plus, extra long support arm*

PC requirements Sidexis 4*

Server PC	Minimum requirements	Recommended requirements
Operating system	<ul style="list-style-type: none"> Windows Server 2008 R2 (64bit) Windows Server 2012 R2 (64bit) Windows 7 Pro SP1 (64bit) Windows 8.1 Pro (64bit) Windows 10 Pro (64bit)* * Version 1607, Build: 14393.693	<ul style="list-style-type: none"> Windows Server 2008 R2 (64 bit) Windows Server 2012 R2 (64 bit)
RAM	≥ 4 GB	≥ 8 GB
CPU	≥ 2 GHz DualCore	≥ 2.3 GHz QuadCore prozessor with 64 bit (x64)
Hard Drive	> 675 GB	> 1 TB
During operation it must be ensured that there is always sufficient hard disk space available.		

Work station PC	min. req. for 2D station	min. req. for 3D station
Operating system	<ul style="list-style-type: none"> Windows 7 Pro SP1 (32 o. 64bit) Windows 8.1 Pro (64bit) Windows 10 Pro (64bit)* * Version 1607, Build: 14393.693	<ul style="list-style-type: none"> Windows 7 Professional, Ultimate (64 bit), also under Bootcamp; Windows 8 Pro (64 bit) Windows 8.1 Pro (64 bit)
RAM	≥ 4 GB	≥ 8 GB
CPU	≥ 2 GHz DualCore	≥ 2.3 GHz QuadCore Prozessor mit 64 bit (x64)
Grafikspeicher**	≥ 512 MB	≥ 1GB
DirectX	DirectX 9.0c	DirectX 10 mit WDDM 1.0 oder higher driver
Festplatte	≥ 5 GB	≥ 5 GB

* More information at www.sirona.com/sidexis4-system_requirements
System requirements of the hardware used may vary.

** For the interaction with the 3D-rendered volume to be reliable and "smooth", graphics cards with at least the following Passmark GPU benchmark values are recommended: NVIDIA: Passmark > 1000; AMD: Passmark > 1500; Onboard: > 540

Heliodent Plus	
Generator type	High-frequency generator for constant high voltage
Tube voltage	Adjustable between 60 kV and 70 kV
Tube current	7 mA
Focal spot	0.4 (IEC 336)
Line voltage	120-240 V ± 10 % without switching, 50/60 Hz
Exposure time	Incrementally adjustable from 0.01 to 3.2 s
Detector media	Preset for film and Xios XG sensors, exposure times can be individually adjusted, also for imaging plates and other sensor systems
Display	Multicolored display to show the different system states
Focus-to-skin distance	Standard 20 cm, optional 30 cm
Available installation options	Wall-mounted installation with three arm lengths, model mounted on treatment center, installation with manual release, remote control or remote timer, ceiling model, ceiling combination with LEDview, mobile model

* Exact dimensions of installation in the installation requirements

Dentsply Sirona

Sirona Dental Systems GmbH
Fabrikstraße 31, 64625 Bensheim, Germany
dentsplysirona.com

Procedural Solutions

Preventive
Restorative
Orthodontics
Endodontics
Implants
Prosthetics

Enabling Technologies

CAD/CAM
Imaging
Treatment Centers
Instruments