

# Ralco

X-RAY COLLIMATORS



## Value, Quality and Experience



## R 302 L/A

**Multilayer, square field, manual collimation system intended for installation on stationary X-ray equipment. This device has been designed and manufactured for skeletal and thoracic investigations.**

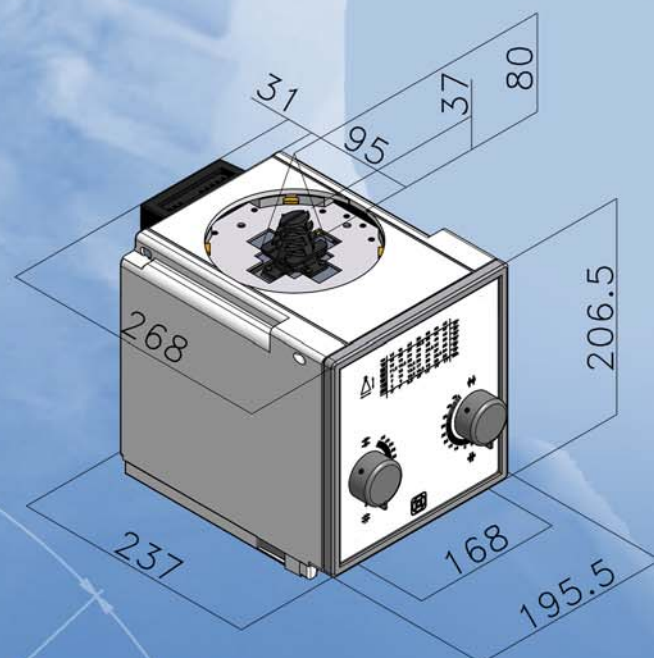
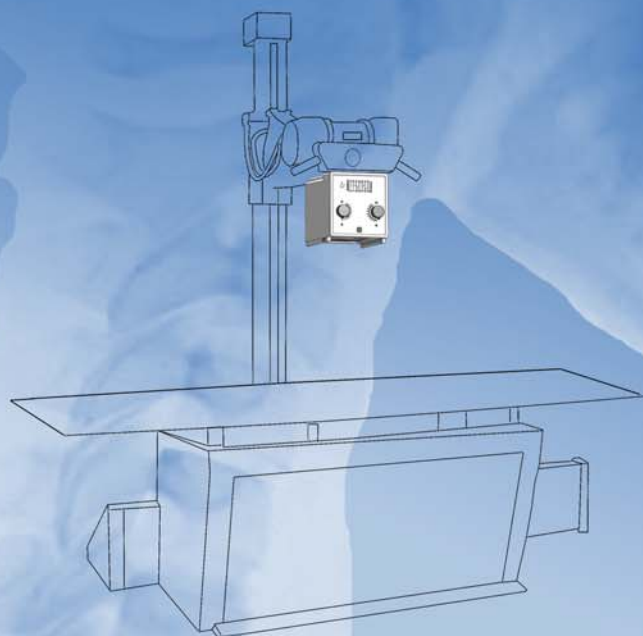
**This model includes the following standard features:**

- Maximum Radiation Leakage: 150 kVp - 4 mA
- Multilayer Square Field: 0x0 cm to 48x48 cm at 100 cm SID
- Minimum Inherent Filtration: 2 mm Al equivalent
- Additional Variable Filtration (on request)
- Laser Line to Align the Collimator to the Potter Bucky
- Halogen Lamp (White LED on request)
- Dimensions: 268x195.5x206.5 mm
- Weight: 9.4 Kg
- 6 Pairs of Shutters
- Many Options for Personalization Available

# R 302 L/A

## TECHNICAL FEATURES

✓ Standard	● Optional	— Not Available	
Maximum Radiation Leakage	125 kVp - 4 mA	—	
	150 kVp - 4 mA	✓	
Field Type	Square Field	With Potentiometer	—
		Without Potentiometer	✓
	Round Field	—	
Additional Variable Filtration	Manual	●(RO 258, 258/1)	
	Motorized	—	
Light Source	Halogen Lamp	✓	
	LED	●(RO 333)	
	No Light	—	
SID Measurement	Electronic	—	
	Retractable Tape Measure	●(RO 012/B)	
Image Receptor Alignment	Centering Light	—	
	Single Laser	✓	
	Double Laser	●(RO 242/2)	
Mounting of DAP Chamber	Internal	—	
	External	●(RO 161/253)	
Flange	Plastic	Free Rotation	●(RO 318)
		50°	●(RO 441)
		90°	●(RO 442)
		120°	—
	Metal	Fixed	●(RO 001/A)
		Rotating (90° stop)	●(RO 051)
Minimum Inherent Filtration	0.3 mm Al equivalent	●(RO 041)	
	1 mm Al equivalent	●(RO 082)	
	2 mm Al equivalent	✓	
Patient Monitoring Camera	Yes	—	
	No	✓	
cCSAUs and DHHS Certification	Yes	●	
	No	✓	
Alignment to Focus	Manual Alignment with Metal Flange	✓	
	Automatic Centering with Metal Flange	●(RO 202)	
	Automatic Centering with Plastic Flange	●(RO 318)	
	Siemens Attachment	●(RO 203)	
Proximity Sensor	Yes	—	
	No	✓	
User Interface	CAN-Bus Interface	—	
	CAN-Open Interface	—	
	Analog/Digital I/O Interface	—	



### Head Office

via Dei Tigli 13G  
20853 BIASSONO (MB)  
ITALY  
Tel. 0039 039 24 979 25  
FAX 0039 039 24 977 99  
Email: [ralco@ralco.it](mailto:ralco@ralco.it)  
[www.ralco.it](http://www.ralco.it)  
Skype: [ralco\\_s.r.l.](https://www.skype.com/name/ralco_s.r.l)

### American Office

4970 Robert J. Mathews Pkwy #180  
El Dorado Hills, CA 95762  
USA  
Tel. 001.916.990.5172  
Email: [info@ralcousa.com](mailto:info@ralcousa.com)  
[www.ralcousa.com](http://www.ralcousa.com)  
Skype: [ralcousa](https://www.skype.com/name/ralcousa)

**CUSTOM MODELS ON REQUEST**