

R 302/A – Manual X-ray Collimator

EXTERNAL COVER IN A.B.S. PLASTIC.

Multilayer, square field X-ray collimator for stationary units.

The collimator enclosure is constructed of double lead-lined steel walls for maximum X-ray protection. X-ray field size is limited by 6 pairs of shutters, four of which are lead-lined. Two pairs of brass shutters are positioned near the focus, two near the entrance window and two near the exit window of the X-ray beam from the collimator. The shutters are controlled by two knobs located on the front panel.

A conversion table on the front panel allows the operator to read field dimensions to be set with the knobs.

SPECIFICATIONS:

- External adjustment of mirror angulation.
- High luminosity provided by a quartz iodide lamp.
- Timer limiting projection lamp exposure time to 30 seconds, adjustable, thus extending lamp life and preventing overheating.
- 150 kVp radiation shielding.
- Minimum inherent filtration 2mm aluminium equivalent. (0,3mm and 1mm on request)
- Continuous film coverage from 0 x 0 to 43 x 43 cm at 90cm FFD (SID).

VERSIONS

R 302/A: Manually operated collimator.

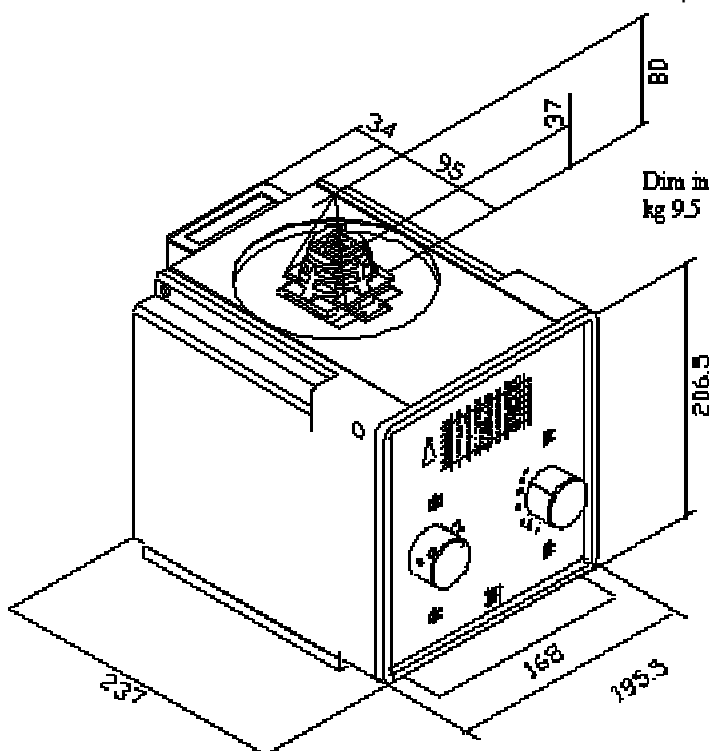
R 302L/A: Manually operated collimator with light and laser line alignment of the x-ray field

R 302 ML/A: Motorised collimator with centering light.

R 302 MLP/A: Motorised collimator with centering light and potentiometers.

R 302 MFMLP/A: Motorised collimator (shutter movements and filter selection) with centering light, potentiometers for shutter and filter positioning.

R 302AMFMLP/A: Collimator R302MFMLP with potentiometer for collimator rotation $\pm 45^\circ$



OPTIONALS:

- **RO 001:** Mounting flange, leaded, fixed, thickness 20mm
- **RO 002:** Spacers, iron, 1.5mm thickness, for mounting flange
- **RO 012/A:** Tape measure, retractable with knob.
- **RO 023/A:** Spacers, x-ray beam/patient -
- **RO 041:** Mirror, mylar, inh. Filtr 0,3mm Al equal.
- **RO 051:** Mounting flange, rotating, diam 136. thickness 18mm.
- **RO 077:** Potter Bucky light centering device (BL)
- **RO 082:** Mirror, 0,8mm – int. Filtr 1mm Al equal.
- **RO 161:** Spacers, guide, for ionisation chamber, pair.
- **RO 153/1:** Laser, Potter Bucky centering with power supply

Ralco s. r. l.

RALCO SRL
VIA DEI TIGLI 13/G
20046 BIASSONO (MI) - ITALIA
Tel. +39-039.2497.925 - FAX: +39-039-2497.799
www.ralco.it - email: ralco@ralco.it