

BioStack™

Operator's Manual



**BioStack™ Microplate Stacker
Operator's Manual**

**© 2018
BioTek Instruments, Inc.
PN 7311000 Rev AH**

Notices

BioTek® Instruments, Inc.
Highland Park, PO Box 998
Winooski, VT USA 05404-0998

© 2018, BioTek Instruments, Incorporated. No part of this publication may be reproduced, transcribed, or transmitted in any form or by any means electronic or mechanical, including photocopying and recording, for any purpose other than the purchaser's use without the written permission of BioTek Instruments, Inc.

Trademarks

BioTek® is a registered trademark, and BioStack™, 405™ Microplate Washer, EL406™, ELx405™, Eon™, Epoch™, Gen5™, Liquid Handling Control™, MicroFill™, MultiFlo™, MultiFlo™ FX, PowerWave™, Precision™, Precision Power™, Cytation™ and Synergy™ are trademarks of BioTek Instruments, Inc. Microsoft® and Windows® are registered trademarks of Microsoft Corporation in the United States and/or other countries.

All other trademarks are the property of their respective holders.

Restrictions and Liabilities

Information in this document is subject to change and does not represent a commitment by BioTek Instruments, Inc. Changes made to the information in this document will be incorporated in new editions of the publication. No responsibility is assumed by BioTek for the use or reliability of software or equipment that is not supplied by BioTek or its affiliated dealers.

Contents

Notices	ii
Contact Information	vi
Global Service and Support	vi
Customer Service and Sales	vi
Service/Technical Assistance Center (TAC)	vi
European Coordination Center/Authorized European Representative	vi
Revision History	vii
Document Conventions	xi
Intended Use Statement	xi
Quality Control	xii
Warranty and Product Registration	xii
Warnings	xii
Hazards	xiii
Precautions	xiv
CE Mark	xvi
Directive 2014/30/EU: Electromagnetic Compatibility	xvi
Directive 2014/35/EU Low Voltage (Safety)	xvi
Directive 2012/19/EU: Waste Electrical and Electronic Equipment	xvii
Directive 98/79/EC: In Vitro Diagnostics (if labeled for this use)	xvii
Electromagnetic Interference and Susceptibility	xvii
USA FCC CLASS A	xvii
Canadian Department of Communications Class A	xvii
User Safety	xviii
Safety Symbols	xix
BioStack 3 and BioStack 4: Secure Gripper Before Moving	xx
Introduction	1
Introducing the BioStack	2
Product Description	3
BioStack 4: Notes about Handling Lidded Plates	4
Package Contents	6
Optional Accessories	6
Specifications	9
Stay-On Lid Mode (BioStack 4 Only)	10
Installation	13
Upgrade Scenarios	14
Unpack and Inspect the Instrument	15
Setting Up the BioStack	17
Remove the Shipping Hardware—BIOSTACK2WR	18
Remove the Shipping Hardware—BioStack 3	20
Remove the Shipping Hardware—BioStack 4	23
Wrist Angle Setting Requirements	26
0 Degree Orientation for Liquid Handlers	27
Dip Switch Settings	28
Change Setting for Wrist Angle	29
Change Setting for 50-Plate Stacks	30

Test Plates for Compatibility—BioStack 4 Only	30
Connect to Power	31
Connect to Computer	32
Connect to Liquid Handler	33
Where to Go Next	35
Repacking the BioStack	36
Install the Shipping Hardware—BioStack2WR	37
Install the Shipping Hardware—BioStack 3	37
Install the Shipping Hardware—BioStack 4	38
Repacking—Install Shipping Panel	39
Operation	41
Before You Start	42
Load Plates into Input Stack	43
Load Plates Using the Pedestal	44
Supported Microplate Types and Dimensions	45
Processing Microplates	46
Controlling the BioStack:	46
Stopping Plate Processing	47
Restack the Plates	49
Processing Plates with Lids	49
Plate De-Lidding: How It Works	50
Prevent Condensation on Plate Lids	51
Plate Lid Definition Files	52
Microplate and Lid Dimensions	53
Plate Lid Advanced Dimensions	54
Start Up the BioStack	57
Maintenance	59
Overview	60
Recommended Maintenance Schedule	60
Warnings and Precautions	61
Required Materials	61
Routine Cleaning Procedure	63
Decontamination	64
Tools and Supplies	65
Decontaminate the BioStack	65
Cleaning and Lubricating the Linear Ways	66
Qualification	69
Overview	70
Recommended Qualification Schedule	70
Installation Qualification	72
Operational Qualification Procedure	72
Troubleshooting & Error Codes	73
Troubleshooting	74
Communication Error Codes	74
BioStack Instrument Errors	76
Plate Lid Definition Errors	82

Washer or Dispenser Communication Error Codes	85
BioStack Sensor Numbers	86
BioStack Motor Numbers	87
Interfacing Instrument Numbers	87
Plate Stacked Height	88
Change Setting for Low-Profile Plates	89
Loosen Plate Carrier Set Screws - BioStack 4 Only	90
Adjust the Stack Dogs	91
Install the Barcode Scanner	93
Barcode Scanner Overview	94
Install the Barcode Scanner	94
Change Dip Switch Setting for Barcode Scanner	97
Install the Scanner Cable Duct	97
Preparing and Attaching Barcode Labels	99
Scanner Test with Readers	101
To Report Barcodes with Reader Results	101
Scanner Test with Precision/XS	103
To Report Scanned Codes with Precision/XS	104

Contact Information

BioTek Instruments, Inc.
 Highland Park, P.O. Box 998
 Winooski, Vermont 05404-0998 USA

Global Service and Support

BioTek instrument service and repair is available worldwide at several of BioTek's International Service Centers and in the field at your location. To arrange for service or repair, contact the office nearest you; visit www.biotek.com for up-to-date contact information. For customer service, sales, and technical assistance, refer to the information below.

Customer Service and Sales

Internet:	www.biotek.com
Phone:	888-451-5171 (toll-free in the US)
	802-655-4740 (outside the US)
Fax:	802-655-7941
Email:	customercare@biotek.com

Service/Technical Assistance Center (TAC)

Phone:	800-242-4685 (toll-free in the US)
	802-655-4740 (outside the US)
Fax:	802-654-0638
Email:	tac@biotek.com

European Coordination Center/Authorized European Representative

BioTek Instruments GmbH
 Kocherwaldstrasse 34
 D-74177 Bad Friedrichshall
 Germany

Internet:	www.biotek.de
-----------	--

Phone:	+49 (0) 7136 9680
Fax:	+49 (0) 7136 968 111
Email:	info@biotek.de

Revision History

Rev	Date	Changes
A	11/2002	First issue.
B	5/2003	Throughout: Clarified the compatibility of the ELx405 with the BioStack by specifying the Washer's Auto Plate and Select models only. Updated contact information, Safety Symbols, and Warranty.
C	10/2003	Preface: Updated the Intended Use statement to distinguish between the European Union and all other jurisdictions.
D	06/2004	Throughout: Reformatted manual for cosmetic effect. Added references about compatibility of the BioStack with the ELx405 HT and ELx405 Select CW Microplate Washers. Added new sections about compatibility, installation, operation, alignment, etc., of the Precision and Precision XS.
		Revised the Technical Support section and added new sections on Depot Service Contracts and Applications Support. Enhanced Introduction, Installation, Operation, and Maintenance chapters.
E	06/2005	Throughout: Added information on the new barcode scanner and USB port. Changed ELx405 "Auto" model to "ELx405."
		Moved instructions from former Appendix B, Serial Cable Connections and Appendix C, Mounting the Aligning Plates and Posts into Chapter 3, Installation.
		Chapter 5: Simplified/clarified IQ and OQ sections. Chapter 7: Added KC4 error codes for BioStack operation with readers, and BioStack barcode scanner error codes.
F	05/2006	Added instructions for using Gen5 software. Preface: Updated safety information and removed Warranty, Registration Card, and Registration Online sections in Preface. Added laser beam warning. Appendix B: Added laser beam warning.
G	07/2006	Added instructions for installing/operating the BioStack with the Synergy 2.
H	12/2006	Added instructions for installing and operating the BioStack with the NanoQuot. In Chapter 5 and Appendix B: Added the Barcode Scanner Test as an optional IQ and OQ test.

Rev	Date	Changes
I	06/2007	Added instructions for installing and operating the BioStack with the Synergy 4. Updated error code information. Incorporated manual update revision H1 as Appendix C, Reconfiguration of the BioStack. Added Appendix D, Required Software Versions.
J	08/2007	Added references to the Liquid Handling Control (LHC) Software throughout the manual, and instructions for installation/operation of the software for PC control of the BioStack and ELx405.
K	10/2007	Added instructions for installing and operating the BioStack with the MicroFlo Select.
L	03/2008	Added instructions for installing and operating the BioStack with the PowerWave XS2. Changed "µFill" to "MicroFill."
M	06/2008	Changed "Bio-Stack" to "BioStack." Added references to the fixed wrist model (PN BIOSTACK2) and rotational wrist model (PN BIOSTACK2WR). Added instructions for installation/operation of the new models with interfacing instruments.
N	10/2008	Added instructions for installing and operating the BioStack with the EL406. Changed "Alignment Kit" to "Integration Kit" throughout. Added more information about installation of two BioStacks with two interfacing instruments (ELx405, MicroFlo Select, EL406).
O	12/2008	Added instructions for installing and operating the BioStack with the Synergy Mx. Removed references to obsolete BioStack PN BIOSTACK.
P	04/2009	Added information regarding instrument control of the EL406 and installation/operation instructions for controlling the BioStack and EL406 via the keypad. Added more information about how the BioStack barcode scanner works in Appendix B. Added instructions or notes throughout the manual instructing the user to turn the BioStack on before the interfacing instrument, and to manually raise the BioStack's claw/gripper above the interfacing instrument's plate carrier or supply station (Precision) before turning the BioStack on.
Q	01/2010	Added instructions for installing and operating the BioStack with the Synergy H4 reader.
R	09/2010	Overall: Streamlined and rearchitected content to enhance usability and support maintenance and reuse. Moved installation and operation instructions, software version compatibility tables, software data sheets, and information on obtaining software version information out of the main Operator's Manual and into individual, instrument-specific PDF files on the BioStack Operator's Manual CD. Added support for the MultiFlo Dispenser.
		Preface: Updated Intended Use Statement; Warnings, Hazards, and

Rev	Date	Changes
		Precautions; Directives; and Safety Symbols.
		Chapter 1 Introduction: Updated Package Contents and Optional Accessories lists. Chapter 2 Installation: Added "Configure for 50-Plate Stacks." Chapter 5 Instrument Qualification: Removed IQ Checklists. Moved the Software Data Sheets to the individual instrument-specific PDF files. Chapter 6 Error Codes: Removed error code tables for MicroFlo and EL406 Interface Software, and Gen5/KC4 Function Call Errors.
S	11/2010	Added instructions for installing and operating the BioStack with the Synergy H1 reader. Emphasized the importance of orienting microplates in the input stack to match the expected placement of well A1 on the interfacing instrument's plate carrier.
T	8/2011	Added instructions for installing/operating the BioStack with the Eon, Epoch.
U	3/2012	Added instructions for installing and operating the BioStack with the 405 TS. Added references to the 10-plate stacks.
V	6/2012	Added support for BIOSTACK3WR (for liquid handlers). Removed references to BioStack2. Added 'Service' and 'Accessories' hazard warnings. Added 'Spare Parts' precaution. Changed all references from claw/gripper to gripper. Added Wrist Angle Setting Requirement and Dip switch Settings content. Revised descriptions of the microplate requirements. Replaced former Appendix B, Microplate Stack Adjustment/Configuration for Half-Height Plates with section in Troubleshooting chapter: Adjust Stack Dogs. Updated error codes and added Troubleshooting guidelines to the same chapter. Omitted former Appendix C, Information for External Developers, as it was obsolete. Updated format and text styles, replaced some drawings with photos. Revised the liquid handler instrument-specific sections; conversely, the reader instrument-specific PDFs are unchanged since the last revision. The Nanoquot instrument-specific section has been omitted.
W	7/2012	Added support for BioStack3 for readers and for controlling both BioStack models using Gen5 alone (i.e. BioStack PC Control Software is no longer needed for the readers). Consolidated the Integration Kits when applicable, i.e. universal aligning base plates support both BioStack models. Removed references to obsolete aligning base plate in instrument-specific instructions. Added units to the barcode label graphic.
X	4/2013	Added instructions for installing and operating the BioStack with the Cytation 3. Corrected or improved content based on suggestions from field staff, including deleting the statement that barcode labels can be purchased from BioTek. Added references to the rubber band that secures the BioStack3's wrist during shipping. Recommended using rubber bands to

Rev	Date	Changes
		secure gripper before moving the BioStack 3.
Y	11/2013	Added instructions for installing and operating the BioStack with the MultiFlo FX. Added Precision Universal models (PRC384U) to the list of instruments that are not BioStack-compatible. Restored references to, and added a diagram for 0° integration for liquid handlers and the BIOSTACK2WR. Added "Space Requirement Dimensions" for most interfacing instruments.
Z	12/2013	Introduced BioStack 4 and its support of plate lids during processing. Added hazard label and description: cutting fingers/hand. Added "Plate Compatibility Test" for BioStack4 only. Added support for the Synergy Neo - BioStack4 integration.
AA	6/2014	Added support for new instruments: Epoch2 and Synergy HTX. Added a warning that the PowerWave HT is not compatible with the BioStack 4 and a "strong recommendation" to measure the plate and lid type before use to verify they meet the minimum requirements for de-lidding operations with the BioStack 4.
AB	9/2014	Updated specifications to include certain low-density plates with lids that are supported in "stay-on lid" mode. Added references to stay-on lid mode where applicable. Corrected the space requirement for liquid handlers: increased the depth required by six inches to account for wrist movement.
AC	12/2014	Added support for Cytation 5. Updated the "Stay-on Lid" mode description to describe the newly relabeled stacks required to support this feature, i.e., Tall Lidded Plate Stacks. Updated notice of compliance with EU Directives.
AD	2/2015	Updated Synergy Neo integration instructions to match new and improved alignment hardware. Added new 28 volt power supply to parts list.
AE	3/2015	Reverted contents to match revision AC.
AF	7/2015	Added support for Synergy Neo2, updated Contact Information, changed RMA to Service Call Notice (SCN) number, updated Synergy Neo and Synergy Neo2 integration kit to PN 7310055
AG	2017	Updated PN for replacement shipping materials 7313002 to 1163003; removed reference to the ANSI standard in the microplate specification section; add note to "Install and Run BioStack with the Synergy H1" to point out position of bracket on alignment plate, which varies depending on which BioStack is used; added Cytation 1 support; resolved EPR 24692 by adding error code 2002 to the list; modified instructions for installing software and testing communication in the Install and Operate the BioStack with Precision document; added USB and serial cable part numbers to the fluid interfacing instrument documents.

Rev	Date	Changes
AH	12/2018	Updated Epoch 2 information to correspond with the updated Epoch 2 instrument; corrected alignment plate PN for Synergy H1; updated the drawing of the Cytation showing the space needed for an instrument with a Cooling Accessory installed; updated PN for BioStack2 shipping container to PN 7310014; updated BioStack leg PN for use with Epoch 2 to 7310570; updated the PN for the baseplate for the Microflo FX to 7312138; added error code 020D.

Document Conventions

This manual uses the following typographic conventions:

- This note format calls attention to important information.



Warnings are presented in this style to call attention to potential hazards and other safety concerns.



This icon calls attention to important safety information.



Tips and suggestions for improving performance are formatted this way.

Intended Use Statement

The BioStack Microplate Stacker is an automated microplate stacking system that is designed to systematically transfer a stack of microplates to and from compatible BioTek laboratory instruments wherever washing, dispensing, pipetting, or reading of multiple microplates is performed.

If the instrument has an “IVD” label it may be used for clinical and non-clinical purposes, including research & development. If there is no such label the instrument may only be used for research & development or other non-clinical purposes.

Quality Control

It is considered good laboratory practice to run laboratory samples according to instructions and specific recommendations included in the assay package insert for the test to be conducted. Failure to conduct Quality Control checks could result in erroneous test data.

Warranty and Product Registration

Please take a moment to review the Warranty information that shipped with your product. Please also register your product with BioTek to ensure that you receive important information and updates about the product(s) you have purchased.

You can register online through BioTek's Customer Resource Center (CRC) at www.biotek.com or by calling 888/451-5171 or 802/655-4740.

Warnings



Operate the instrument on a level, stable surface away from excessive humidity.

When operated in a safe environment, according to the instructions in this manual, there are no known hazards associated with the BioStack. However, the operator should be aware of certain situations that could result in serious injury: see **Hazards** and **Precautions**.

Hazards

The following hazard warnings are provided to help avoid injury:



Warning! Power Rating. The instrument's power supply or power cord must be connected to a power receptacle that provides voltage and current within the specified rating for the system. Use of an incompatible power receptacle may produce electrical shock and fire hazards.

Warning! Electrical Grounding. Never use a plug adapter to connect primary power to the external power supply. Use of an adapter disconnects the utility ground, creating a severe shock hazard. Always connect the power cord directly to an appropriate receptacle with a functional ground.

Warning! Service. Only qualified technical personnel should perform service procedures on internal components.

Warning! Accessories. Only accessories which meet the manufacturer's specifications shall be used with the instrument.

Warning! Liquids. Avoid spilling liquids on the instrument; fluid seepage into internal components creates a potential for shock hazard or instrument damage. If a spill occurs while a program is running, abort the program and turn the instrument off. Wipe up all spills immediately. Do not operate the instrument if internal components have been exposed to fluid.

Warning! Unspecified Use. Failure to operate this equipment according to the guidelines and safeguards specified in this manual could result in a hazardous condition.

Warning! Software Quality Control. The operator must follow the manufacturer's assay package insert when modifying software parameters and establishing reading, washing, or dispensing methods. Failure to conduct quality control checks could result in erroneous test data.



Warning! Internal Voltage. Always turn off the power switch and unplug the power supply before cleaning the outer surface of the instrument.



Warning! Potential Biohazards. Some assays or specimens may pose a biohazard. Adequate safety precautions should be taken as outlined in the assay's package insert. This hazard is noted by the symbol shown here. Always wear safety glasses and appropriate protective equipment, such as chemically resistant rubber gloves and apron.



Warning! Laser Beam. Serious eye injury may occur if you stare directly into the laser beam of the barcode scanner during operation of the scanner. This hazard is noted by the symbol shown here. Do not look directly into the laser beam during operation of the scanner.



Warning! Pinch Hazard. Some areas of the instrument or its components can present pinch hazards when the instrument is operating. These areas are marked with the symbol shown here. Keep hands/fingers clear of these areas when the instrument is operating.



Warning! Cutting of Fingers or Hand Hazard. The metal plate gripper presents a cutting hazard to fingers/hands when the instrument is operating. The gripper is marked with the symbol shown here. Keep fingers/hands away from the gripper when the instrument is operating.

Precautions

The following precautions are provided to help avoid damage to the instrument(s):



Caution: Service. The instrument should be serviced by BioTek-authorized service personnel. Only qualified technical personnel should perform troubleshooting and service procedures on internal components.

Caution: Spare Parts. Only approved spare parts should be used for maintenance. The use of unapproved spare parts and accessories may result in a loss of warranty and potentially impair instrument performance or cause damage to the instrument.

Caution: Environmental Conditions. Do not expose the instrument to temperature extremes. For proper operation, temperatures near the instrument should remain within the range listed in the Specifications section. Performance may be adversely affected if temperatures fluctuate above or below this range.

Caution: Sodium Hypochlorite. Do not expose any part of the instrument to the recommended diluted sodium hypochlorite solution (bleach) for more than 20 minutes. Prolonged contact may damage the instrument surfaces. Be certain to rinse and thoroughly wipe all surfaces.

Caution: Power Supply. Only use the power supply shipped with the instrument. Operate this power supply within the range of line voltages listed on it.

Caution: Disposal. Dispose of the instrument according to Directive 2002/96/EC, "on waste electrical and electronic equipment (WEEE)," or local ordinances.

Caution: Warranty. Failure to follow preventive maintenance protocols may void the warranty.

Caution: Shipping Hardware. All shipping hardware (e.g., shipping panel, shipping block, carrier shipping screws, etc.) must be removed before operating the instrument and reinstalled before repackaging the instrument for shipment.

Caution: Waste Sensor Port (for customers who have purchased the BioStack for use with the ELx405, 405 TS/LS, or EL406). The waste sensor port on the back of the washer/dispenser is the same type as the 24-VDC power connector on the back of the BioStack. Do not plug the BioStack's external power supply into

the washer's/dispenser's port; it will permanently damage internal components.

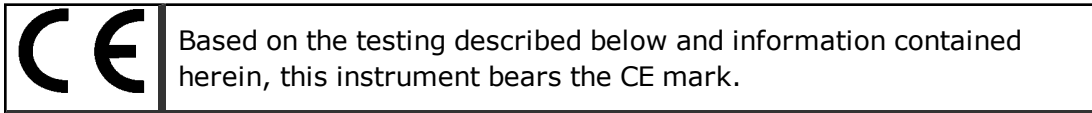
Caution: Aligning Posts. When installing the BioStack's four aligning posts, use caution not to cross thread these parts. **Finger-tighten only!**

Caution: BioStack Barcode Scanner Mirror. Do not scratch or damage the mirror when unpacking or installing the barcode scanner.

Caution: Electromagnetic Environment. Per IEC 61326-2-6 it is the user's responsibility to ensure that a compatible electromagnetic environment for this instrument is provided and maintained in order that the device will perform as intended.

Caution: Electromagnetic Compatibility. Do not use this device in close proximity to sources of strong electromagnetic radiation (e.g., unshielded intentional RF sources), because these may interfere with the proper operation.

CE Mark



■ **Note:** Refer to the Declaration of Conformity for specific details.

Directive 2014/30/EU: Electromagnetic Compatibility

Emissions—Class A

The system has been type-tested by an independent, accredited testing laboratory and found to meet the requirements of EN 61326-1: Class A for Radiated Emissions and Line Conducted Emissions.

Verification of compliance was conducted to the limits and methods of EN 55011 (CISPR 11) Class A. In a domestic environment it may cause radio interference, in which case, you may need to take measures to mitigate the interference.

Immunity

The system has been type-tested by an independent, accredited testing laboratory and found to meet the requirements of EN 61326-1 and EN 61326-2-6 for Immunity. Verification of compliance was conducted to the limits and methods of the following:

- EN 61000-4-2, Electrostatic Discharge
- EN 61000-4-3, Radiated EM Fields
- EN 61000-4-4, Electrical Fast Transient/Burst
- EN 61000-4-5, Surge Immunity
- EN 61000-4-6, Conducted Disturbances from RFI
- EN 61000-4-11, Voltage Dips, Short Interruptions and Variations

Directive 2014/35/EU Low Voltage (Safety)

The system has been type-tested by an independent testing laboratory and was found to meet the requirements of this Directive. Verification of compliance was conducted to the limits and methods of the following:

- EN 61010-1**, "Safety requirement for electrical equipment for measurement, control and laboratory use. Part 1, General requirements."
- EN 61010-2-081**, "Particular requirements for automatic and semi-automatic laboratory equipment for analysis and other purposes."

Directive 2012/19/EU: Waste Electrical and Electronic Equipment

Disposal Notice: Dispose of the instrument according to Directive 2012/19/EU, “on waste electrical and electronic equipment (WEEE)” or local ordinances.

Directive 98/79/EC: In Vitro Diagnostics (if labeled for this use)

- Product registration with competent authorities
- Traceability to the U.S. National Institute of Standards and Technology (NIST).
EN 61010-2-101 Particular requirements for in vitro diagnostic (IVD) medical equipment.

Electromagnetic Interference and Susceptibility

USA FCC CLASS A

RADIO AND TELEVISION INTERFERENCE

NOTE: This equipment has been tested and found to comply with the limits for a Class A digital device, pursuant to Part 15 of the FCC Rules. These limits are designed to provide reasonable protection against harmful interference when the equipment is operated in a commercial environment. This equipment generates, uses, and can radiate radio frequency energy and, if not installed and used in accordance with the instruction manual, may cause harmful interference to radio communications. Operation of this equipment in a residential area is likely to cause harmful interference, in which case the user will be required to correct the interference at their own expense.

In order to maintain compliance with FCC regulations shielded cables must be used with this equipment. Operation with non-approved equipment or unshielded cables is likely to result in interference to radio and television reception.

Canadian Department of Communications Class A

This digital apparatus does not exceed Class A limits for radio emissions from digital apparatus set out in the Radio Interference Regulations of the Canadian Department of Communications.

Le présent appareil numérique n'émet pas de bruits radioélectriques dépassant les limites applicables aux appareils numériques de la Class A prescrites dans le Règlement sur le brouillage radioélectrique édicté par le ministère des Communications du Canada.














User Safety





This device has been type-tested by an independent laboratory and found to meet the requirements of the following:

- **Underwriters Laboratories UL 61010-1** “Safety requirements for electrical equipment for measurement, control and laboratory use; Part 1: general requirements.”
- **Canadian Standards Association CAN/CSA C22.2 No. 61010-1** “Safety requirements for electrical equipment for measurement, control and laboratory use; Part 1: general requirements.”
- EN 61010 Standards. **See [CE Mark on page xvi](#).**

Safety Symbols

Some of these symbols appear on the instrument or accessories:

	Alternating current Courant alternatif Wechselstrom Corrientealterna Correntealternata		Both direct and alternating current Courant continu et courant alternatif Gleich - und Wechselstrom Corriente continua y corrientealterna Corrente continua e correntealternata
	Direct current Courant continu Gleichstrom Corriente continua Corrente continua		Earth ground terminal Borne de terre Erde (Betriebserde) Borne de tierra Terra (difunzionamento)
	On (Supply) Marche (alimentation) Ein (VerbindungmitdemNetz) Conectado Chiuso		Protective conductor terminal Borne de terre de protection Schutzleiteranschluss Borne de tierra de protección Terra diprotezione
	Off (Supply) Arrêt (alimentation) Aus (TrennungvomNetz) Desconectado Aperto (sconnessionedallaretediaalimentazione)		Caution (refer to accompanying documents) Attention (voir documents d'accompagnement) AchtungsieheBegleitpapiere Atención (vease los documentosincludidos) Attenzione, consultare la doc annessa
	Warning, risk of electric shock Attention, risque de choc électrique Gefährlicheelektrischeschlag Precaución, riesgo de sacudidaeléctrica Attenzione, rischiodiscossaelettrica	 	Warning, risk of crushing or pinching Attention, risqued'écrasement et pincement Warnen, Gefahr des Zerquetschens und Klemmen Precaución, riesgo del machacamiento y sejeción Attenzione, rischiodischiacciareedintrappolarisi
	Warning, hot surface Attention, surface chaude Warnen, heiÙeOberflÙche Precaución, superficiecaliente Attenzione, superficiecalda		Warning, potential biohazards Attention, risquesbiologiquespotentiels Warnung! MoeglichebiologischeGiftstoffe Atención, riesgosbiológicos Attenzione, rischiobiologico

	<p>In vitro diagnostic medical device Dispositif médical de diagnostic in vitro Medizinisches In-Vitro-Diagnostikum Dispositivo médico de diagnóstico in vitro Dispositivo medico diagnostico in vitro</p>		<p>Separate collection for electrical and electronic equipment Les équipements électriques et électroniques font l'objet d'une collecte sélective Getrennte Sammlung von Elektro- und Elektronikgeräten Recogida selectiva de aparatos eléctricos y electrónicos Raccolta separata delle apparecchiature elettriche ed elettroniche</p>
	<p>Consult instructions for use Consulter la notice d'emploi Gebrauchsanweisung beachten Consultar las instrucciones de uso Consultare le istruzioni per uso</p>		<p>Laser radiation: Do not stare into beam Rayonnement laser: Ne pas regarder dans le faisceau Laserstrahlung: Nicht in den strahl blicken Radiación de láser: No mire fijamente al rayo Radiazione di laser: Non stare nel fascio</p>

BioStack 3 and BioStack 4: Secure Gripper Before Moving



Note: Do not let the gripper flop around! Before moving the BioStack 3 or BioStack 4, secure the gripper with a rubber band or tape to prevent it from losing its alignment. A complex recalibration is required if it is knocked out of position.

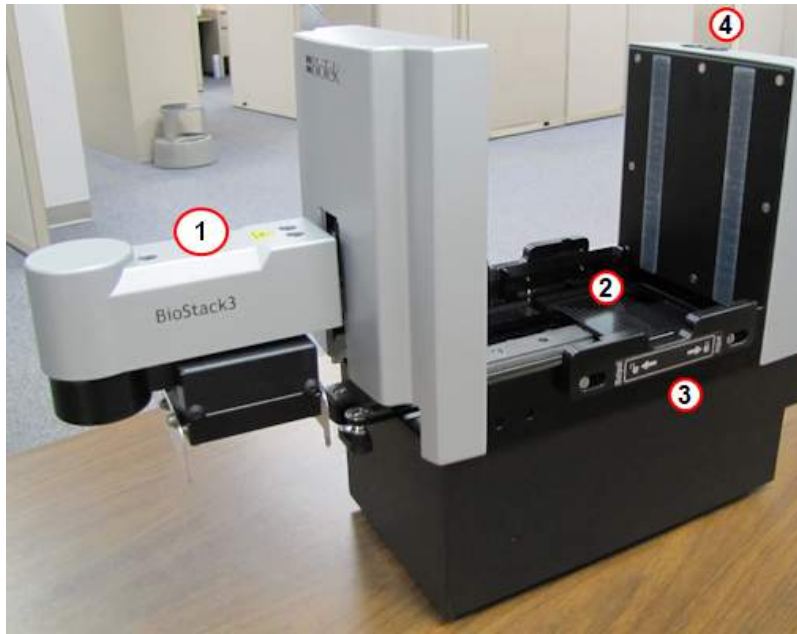
Introduction

Thank you for purchasing the BioStack™ Microplate Stacker. This chapter describes its features and specifications and includes important contact information.

Introducing the BioStack	2
Package Contents	6
Optional Accessories	6
Specifications	9

Introducing the BioStack

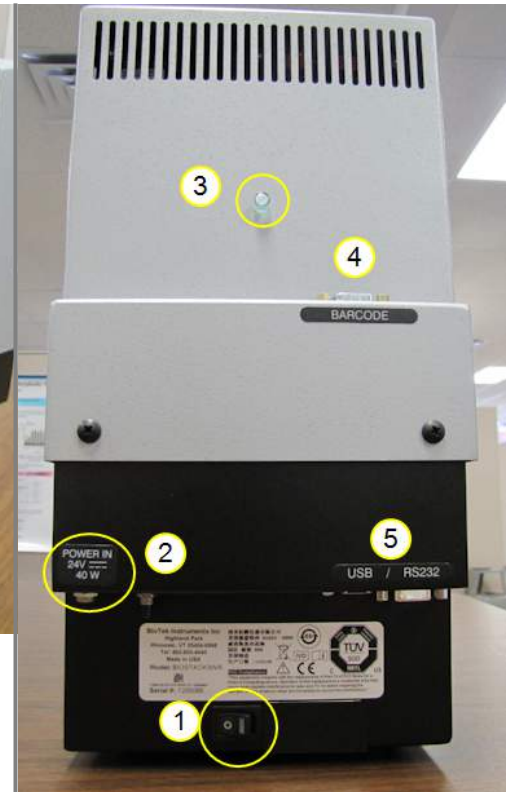
This manual covers the BioStack (BIOSTACK2WR), BioStack 3 (BIOSTACK3WR), and BioStack 4 (BIOSTACK4). Unless otherwise specified, the term BioStack refers to all models.



BioStack 3 shown without stacks

Side view

1. Gripper—arm with wrist and gripper
2. Plate carrier
3. Stack locks
4. Dip switch access



Back view

1. Power switch
2. Power cable port
3. LED status indicator
4. Barcode scanner port
5. Computer and interfacing instrument ports



BioStack Gripper arm

All current BioStack models have rotational wrists that enable them to interface with most BioTek instruments in the most convenient and comfortable angle/position.



Stack, pedestal and plates

A tool to help load plates into the stack, called a pedestal, is provided with the BioStack: [See Load Plates Using the Pedestal on page 44.](#)

Important: Review the [Wrist Angle Setting Requirements on page 26](#) to determine if you need to change the wrist angle setting to interface correctly with your BioTek reader or liquid handler.

Product Description

The BioStack Microplate Stacker is a simple and cost-effective solution for benchtop automation of BioTek's microplate instrumentation. The BioStack's compatibility with a range of detection and liquid handling systems provides laboratories high throughput processing for a variety of applications in genomics, proteomics, drug discovery, and clinical diagnostics. Speed, ease of use, and walk-away automation are guaranteed for any routine microplate process.

The BioStack's small footprint fits easily in standard laboratory hoods and may not require a computer. As a batch processor for BioTek readers and liquid handlers, the BioStack interfaces seamlessly with BioTek's Gen5 Data Analysis Software and Liquid Handling Control (LHC) Software.

Up to two BioStacks (2WR models only) can interface with the Precision Microplate Pipetting System for unattended plate replication, bulk reagent dispensing, or other liquid handling operations.

Features:

- Automates routine laboratory procedures
- 10, 30, or 50 standard height microplates per interchangeable stack
- Simple to use for all laboratory personnel
- Restacking capability
- Small footprint conserves precious benchtop space
- Universal design compatible with all supported BioTek instrumentation
- Designed for heavy use with aluminum precision-ground base and synchronistic movement
- Linear mechanisms built around proven BioTek technology
- Quiet operation with cams activated by stepper motors
- Reliable transport with microplate gripped from below during transfers
- Onboard self-diagnostics ensures trouble-free operation
- BioStack 4 Only: Handles microplates with lids: removes the lid before plate transfer to the attached instrument, and replaces the lid after retrieval from the instrument, except in "stay-on lid" mode.

Models:

- PN BIOSTACK2WR: Supports 90° and 0° integrations; one plate at a time transfer.
- PN BIOSTACK3WR and BIOSTACK4: Support +90°, -90°, and 0° integrations; two plates in motion for every transfer. BioStack 4 processes plates with or without lids.

BioStack 4: Notes about Handling Lidded Plates

The BioStack 4 functions similarly and can do everything the other BioStack models do, and it can process microplates with lids.

- The required stacks are labeled "TALL LIDDED PLATE STACK" to process plates with lids.
- The BioStack 4 supports standard stack types when not handling lids. (Conversely, do not use the "tall lidded plate stacks" with BioStack 2/3 models.)
- The "tall lidded plate stack" also supports taller plates without lids; it can handle plates up to 22 mm. (Maximum supported height of plate + lid = 23.2 mm when [Stay-On Lid Mode](#) requirements are met.)
- Standard stacks are recommended for handling low-profile PCR plates. The BioStack 4 has been designed to better handle these plates that warp easily, but the best performance is achieved combining the BioStack 4 with the standard stacks.
- Only 30- and 10-plate stacks are supported when processing lids. And, the stacks hold fewer plates when lids are included: the 30-plate stack holds about 25 plates with lids and the 10-plate stack holds approximately 8 plates with lids, depending on the plate

and lid type and manufacturer. Another limiting factor is the total weight of the filled plates in the stack cannot exceed 7.0 lbs (3.2 kg).

- When processing plates with lids the BioStack 4 performs several extra error-checking movements, using its fingers to determine if the expected labware, i.e., a plate, lid, or combination, is present. You'll observe several extra finger movements during processing.



- Except in [Stay-On Lid Mode](#), lids are always removed from the plates during processing even when the option to "Keep lids on during read" is selected. In this case, the lid is removed briefly and replaced almost immediately. Lid integrity is maintained: the lid removed from a plate is always the same lid restored to the plate.
- A **Plate Lid Definition** file is required to process plates with lids.
 - Gen5: Lid dimensions are stored in the Plate Type Database record. BioTek updated the most commonly used plate type records with lid dimensions and users can add more, as needed.
 - LHC and touch screen liquid handlers: Several plate lid definition files are provided to support the most common types of plates and new files can be created. Important: A copy of the Plate Lid Definition file is attached to the protocol for processing. The protocol no longer references the original lid definition file, only its copy. If the original plate-lid definition file is modified, those changes are not applied to the copies of the file attached to protocols.
 - Keypad Liquid Handlers: Must use LHC to process plates with lids. Keypad instruments can control the BioStack 4 when not processing plates with lids, identical to BioStack 3 behavior.
- Certain plate types are not compatible with the de-lidding operation. Measure your plate and lid type before use to verify they meet the minimum requirements: **Specifications on page 9**. The BD Falcon 351172, for example, is a nonsupported plate type.

Package Contents

■ Part numbers and package contents are subject to change and vary according to instrument model. Please contact BioTek Customer Care if you have any questions.

- BioStack Microplate Stacker (PN BIOSTACK2WR, BIOSTACK3WR, BIOSTACK4)
- Power supply: 24 volt (PN 01281)
- Plate stacking pedestal (PN 7312083)
- Grease kit (PN 7110017)
- *BioStack Operator's Manual* (PN 7311000) on USB flash drive (PN 7310571)

Optional Accessories

- Set of two microplate stacks

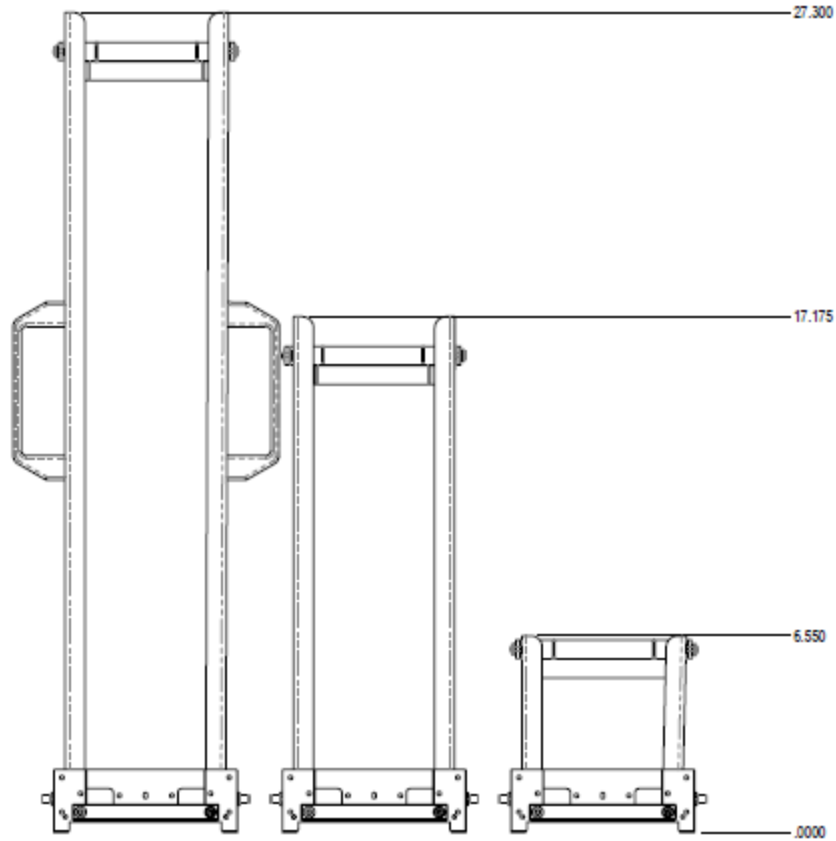
Stack Type	Any BioStack [¥]	BioStack 4*
30-plate	7310008‡	1230004
10-plate	7310030	1230003
50-plate	7310539	N/A

* These stacks are required for transferring plates with lids. The 50-plate stacks can be used on the BioStack 4 to process plates only, not plates with lids.

¥ Recommended for low-volume PCR plates.

‡ Also supports up to 44 low-profile, 1536-well plates without lids.

Note: Stack Types are named for the number of plates they can hold **without** lids. When using lids, the approximate number of plates with lids the 30-plate stack holds is 25; for the 10-plate stack, it's 8, depending on the manufacturer. Another limiting factor is that the total weight of the filled plates in the stack cannot exceed 7.0 lbs (3.2 kg).



Microplate Stacks with height in inches: 50-, 30-, and 10-plate

- Instrument Qualification package (PN 7310530)
- Barcode scanner and installation kit (PN 7310017)
- Integration Kits for use with interfacing instruments:

Instrument	Integration Kit
405 TS/LS	PN 7310040
Cytation 1/3/5	PN 7310053
EL406	PN 7310042
ELx405	PN 7310041
Eon	PN 7310049
EpochR	BIOSTACK2WR: PN 7310032 BIOSTACK3WR/BIOSTACK4: PN 7310043
Epoch 2	PN 7310054
MicroFill*	PN 7310012

Instrument	Integration Kit
MicroFlo Select*	PN 7310020
MultiFlo/MultiFlo FX	PN 7310044
PowerWave HT [‡]	PN 7310048 [‡]
Precision, Precision XS*	PN 7110004
Synergy HT/HTX	PN 7310046
Synergy 2/4/Mx/H4	PN 7310047
Synergy H1	PN 7310045
Synergy Neo and Synergy Neo2 [‡]	PN 7310055

*Compatible with BIOSTACK2WR only.

[‡]Compatible with BioStack 4 only and uses its own barcode scanner, i.e., not compatible with the BioStack barcode scanner listed above.

[‡] Not compatible with BIOSTACK4.

Specifications

Characteristics	Description
Dimensions: Instrument only (not including stacks)	BIOSTACK2WR: Length 18.5" (46.9 cm), width 7" (17.8 cm), height 14" (35.6 cm)
	BIOSTACK3WR: Length 21" (54 cm), width 8" (21 cm), height 15" (38 cm)
	BIOSTACK4: Length 21" (54 cm), width 8" (21 cm), height 16" (40 cm)
Weight:	BIOSTACK2WR: 24 lbs (10.9 kg)
	BIOSTACK3WR: <26 lbs (11.8 kg)
	BIOSTACK4: <30 lbs (13.6 kg)
Power Supply:	Compatible with 100 to 240 V~ ± 10% @50-60 Hz
Power Consumption:	40 watts maximum
Operating Temperature:	18°C to 40°C (64.4°F to 104°F)
Humidity:	Operate in a noncondensing humid environment having a maximum relative humidity of 80% at temperatures up to 31° C decreasing linearly to 50% relative humidity at 40° C.

Microplates

	Running without Lids	Running with Lids (BioStack 4 Only)
Width:	85.48 mm (3.365") ± 0.25 mm (0.009") at the corners	85.48 mm (3.365") ± 0.25 mm (0.009") at the corners
		Width above flange: Min 81.0 mm; Max 83.2 mm
Length:	127.76 mm (5.030") ± 0.25 mm (0.015") at the corners	127.76 mm (5.030") ± 0.25 mm (0.015") at the corners
Max Height:	14.60 mm (0.575") 22.0 mm (0.866") using BioStack 4 Lidded Plate Stacks.	Typical 96-, 384-, 1536-well plates: 16.9 mm (0.665") plate + lid combined: plate max is 14.60 mm, except in Stay-on Lid Mode .
Min	approximately 10.16 mm (0.400")	7.60 mm (0.299")

	Running without Lids	Running with Lids (BioStack 4 Only)
Height:		
	Note: The minimum plate height is a function of the stacked height, the plate skirt height, the plate height dip switch setting, and the control method. See Control Method Limitations: on page 89.	See Microplate and Lid Dimensions on page 53.
Warp:	The warp for all models complies with SLAS standards: When resting on a flat surface, the top surface of the plate must be parallel to the resting surface within 0.76 mm (0.0299"); except BioStack 4 supports low-profile plates with a warp value within 2.2 mm. Important: Less-rigid polypropylene, low-profile PCR plates must have sealing tape applied over the entire top surface.	
Max Weight:	12.0 lbs (5.5 kg)	7.0 lbs (3.2 kg)
	Maximum weight for all plates with fluid in a single stack.	
	The BioStack is not compatible with removable-strip-type microplates.	

Lids	BioStack 4 Only
Width:	85.48 mm (3.365") ± 0.50 mm (0.019") along entire edge
Length:	127.76 mm (5.030") ± 0.50 mm (0.019") along entire edge
Minimum Height:	3.5 mm (0.138")
Other requirements:	
Minimum Gap:	1.25 mm (0.049") Plate short-side flange to lid
Lid on Plate:	16.9 mm (0.665") Max overall height
Plate on Lid:	23.2 mm (0.913") Max overall height

Stay-On Lid Mode (BioStack 4 Only)

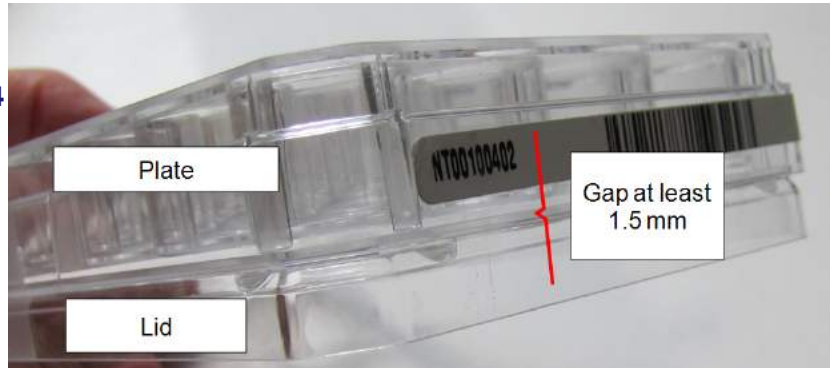
When these conditions are met the BioStack 4 handles certain low-density plates with lids. This mode offers the ability to keep the lid on the plate for the duration of the protocol.

✔ Minimum software versions:

- BioStack 4 basecode: PN 1230200 version 1.05 (or higher)
- Gen5: version 2.07 (or higher)
- LHC: version 2.18 (or higher)
- Note: Gen5 TS (for touch screen models) does **not** support stay-on lid mode.

✔ Certain 6-, 12-, 24-, and 48-well microplates with lids that conform to **ANSI/SLAS 2-2004** standard dimensions, as specified, **and** with a:

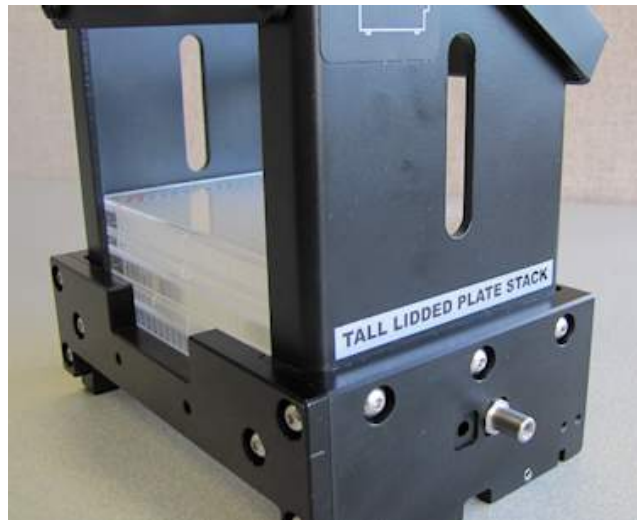
- Minimum gap between plate and lid when plate is on lid: 1.5 mm
- Maximum height of plate + lid combined: 23.2 mm (also called "stacked-plate-with-lid" height)



Use calipers to measure the gap between lid and plate.

✔ **Tall Lidded Plate Stacks** are required.

Uniquely designed stacks labeled "Tall Lidded Plate Stacks" support stay-on lid mode and tall plate processing without lids.



✔ **Stack Weights:** PN 1230008

BioTek offers this accessory to prevent the last plate's lid from hanging in the stack during stay-on lid mode. Better performance was observed when using the weights with taller-than-standard plates without lids, as well.

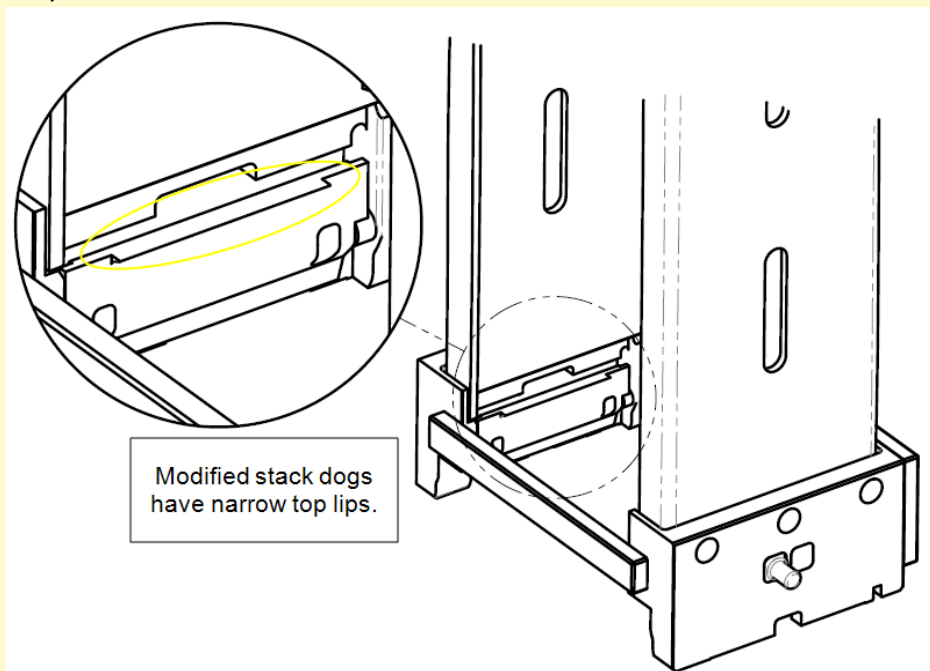
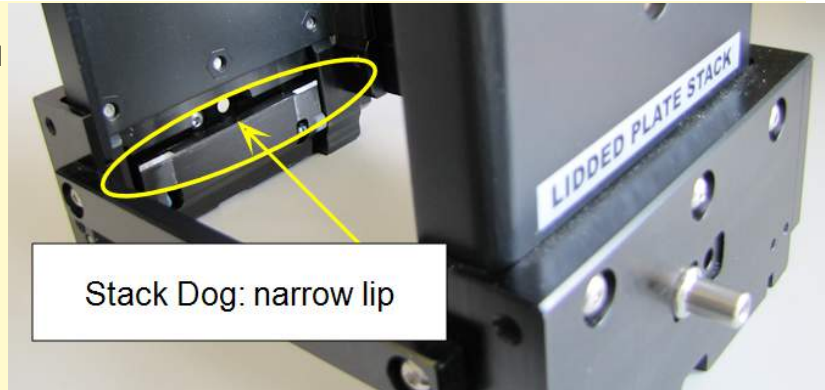


Stay-on lid:

Gen5 will keep the lid on the plate during processing when its plate type **Lid**

Parameters are defined to support it: Fill the checkbox in **Advanced Options**. Plate Type records for Nunc 6-, 12-, 24-, and 48-well plates and lids that meet these requirements are ready for selection, e.g., "Nunclon 24 well." You can create or modify the plate type record of other plates that meet the requirements. Learn more in Gen5's Help.

Note: A small number of stacks with a **Lidded Plate Stacks** label were released to support stay-on lid mode before the label was changed to Tall Lidded Plate Stack. The "stack dogs," inside and at the bottom of the stacks, were modified to better handle plates with external trim or ridges. If the dogs on your stacks match those shown here, with shortened top lips, they can be used for stay-on lid mode.



Installation

This chapter contains instructions for setting up and configuring the BioStack. Instructions for installing the BioStack with the interfacing instruments are contained in individual PDF files on the BioStack Operator's Manual USB Flash Drive (PN 7311067).

Upgrade Scenarios	14
Unpack and Inspect the Instrument	15
Setting Up the BioStack	17
Remove the Shipping Hardware—BIOSTACK2WR	18
Remove the Shipping Hardware—BioStack 3	20
Remove the Shipping Hardware—BioStack 4	23
Dip Switch Settings	28
Connect to Power	31
Where to Go Next	35
Repacking the BioStack	36
Install the Shipping Hardware—BioStack2WR	37
Install the Shipping Hardware—BioStack 3	37
Install the Shipping Hardware—BioStack 4	38

Upgrade Scenarios

If you purchased the BioStack to interface with an existing instrument, you may need to upgrade the hardware and/or software on that instrument. Refer to the table below and contact BioTek TAC with any questions.

Minimum computer control software for:

PC Software	BioStack 3	BioStack 4
LHC (Liquid Handling Control)	2.12 or higher	2.16 or higher
Gen5 (Data Analysis)	2.01 or higher	2.05 or higher

If you have:	You may need:
ELx405	
with Serial Number <=182187	A BioStack-compatible microplate carrier and new basecode software (upgrade kit PN 7310006). The carrier must be installed by authorized personnel.
with Serial Number >=182188 and <185301	New basecode software (upgrade kit PN 7310013).
Eon	
with Serial Number <1310151	Instruments with a lower serial number may not have a BioStack-compatible plate carrier. Contact BioTek TAC.
Epoch	
Any serial number. Compatible instruments have a "BioStack Ready" sticker: R models.	A BioStack-compatible microplate carrier, which must be installed by authorized Service personnel. Gen5 v.2.0 is required.
MicroFill ‡	
with Serial Number <185105	New basecode software (upgrade kit PN 7310015).
MicroFlo Select ‡	
with basecode version <1.06	New basecode software.
PowerWave	
with Serial Number <1310151	Instruments with a lower serial number may not have a BioStack-compatible plate carrier. Contact BioTek TAC.
PowerWave HT is not compatible with BioStack4.	

If you have:	You may need:
Precision**‡	
with Serial Number ≥ 187931	Basecode software version 2.14 or greater.
Synergy HT	
with Serial Number < 181151	A BioStack-compatible microplate carrier and new basecode software (upgrade kit PN 7310007). Note: The carrier must be installed by authorized Service personnel.

‡ Not compatible with BioStack 3/BioStack 4.

** The following Precision Microplate Pipetting Systems are not BioStack-compatible:

- Instruments with Serial Number < 187931 ,
- 12-channel model
- Universal models (PRC384U).

Unpack and Inspect the Instrument

■ Save all packaging materials. If you need to ship the instrument or accessories to BioTek for repair or replacement, you must use the original packaging. Using other forms of commercially available packaging is not recommended and can void the warranty. If improper packaging results in damage to the instrument during shipping, BioTek may impose additional charges.

Inspect the shipping boxes, packaging, instrument, and accessories for signs of damage.

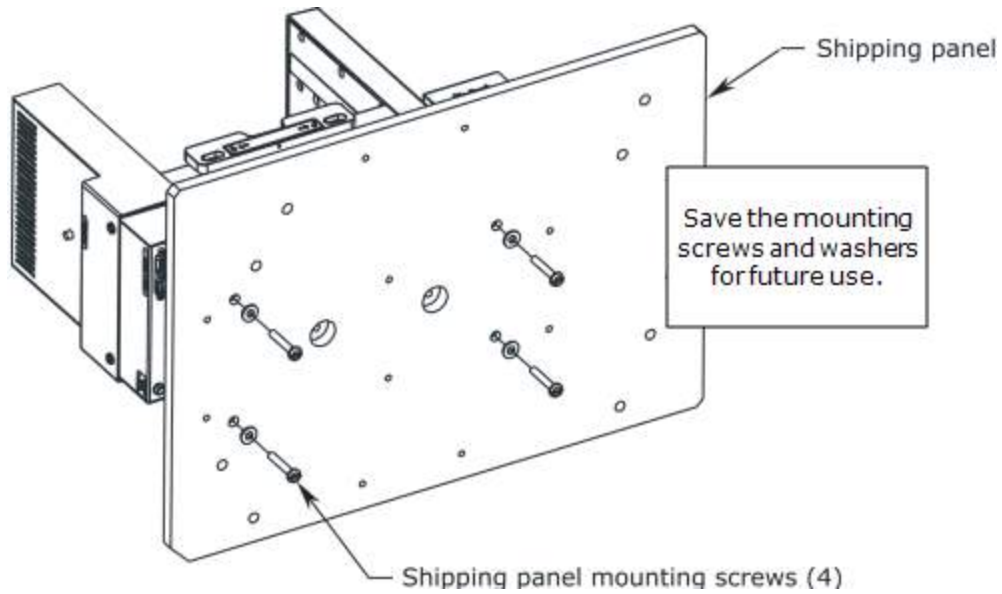
If the BioStack is damaged, notify the carrier and your BioTek representative. Keep the shipping cartons and packing material for the carrier's inspection. BioTek will arrange for repair or replacement of your instrument immediately, before the shipping-related claim is settled.

Unpack the boxes containing the instrument and other equipment:

- BioStack
- Microplate Stacks
- Barcode scanner (optional).

Remove the Shipping Panel

Tools: flat screwdriver



1. Grasp the handles on the shipping panel to lift the instrument from the inner box.
2. Gently lay the BioStack on its side on the work surface, so the panel hangs over the edge.
3. Remove the screws and washers that attach the shipping panel to the instrument.
4. Save the panel and all packing materials for possible future reshipment.

Setting Up the BioStack

Important: Avoid **excessive humidity**. Condensation directly on the sensitive electronic circuits can cause the instrument to fail internal self-checks.

Install the instrument on a level, stable surface in an area where temperatures between 18°C (64°F) and 40°C (104°F) can be maintained.

Avoid:

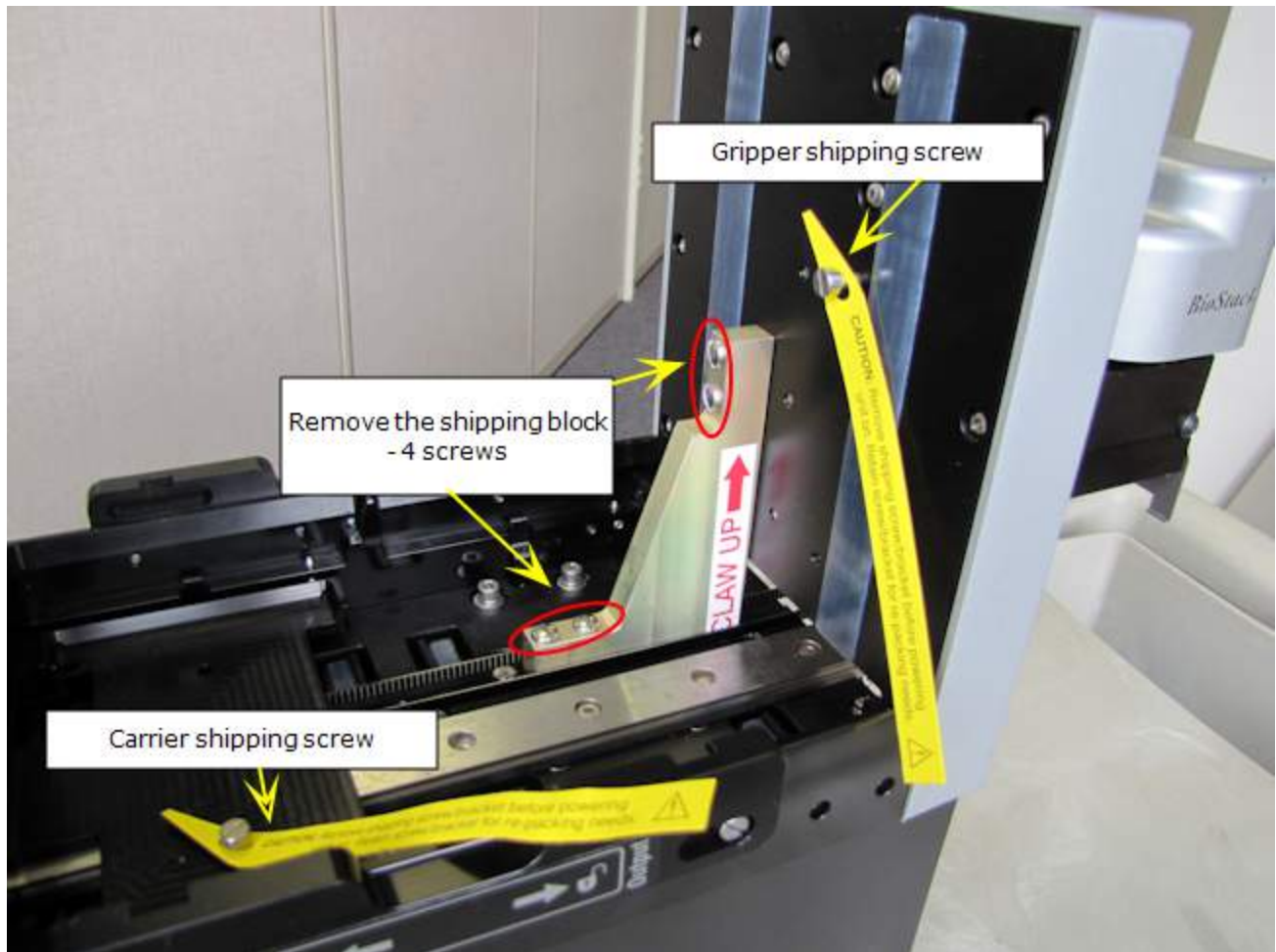
- **Excessive humidity:** Condensation directly on the sensitive electronic circuits can cause the instrument to fail internal self-checks. Operate in a noncondensing humid environment having a maximum relative humidity of 80% at temperatures up to 31° C decreasing linearly to 50% relative humidity at 40° C.
- **Dust:** Efficient microplate transporting may be affected by extraneous particles (such as dust) on the carrier's linear ways. A clean work area is necessary to ensure smooth plate transporting.

Remove the Shipping Hardware—BIOSTACK2WR



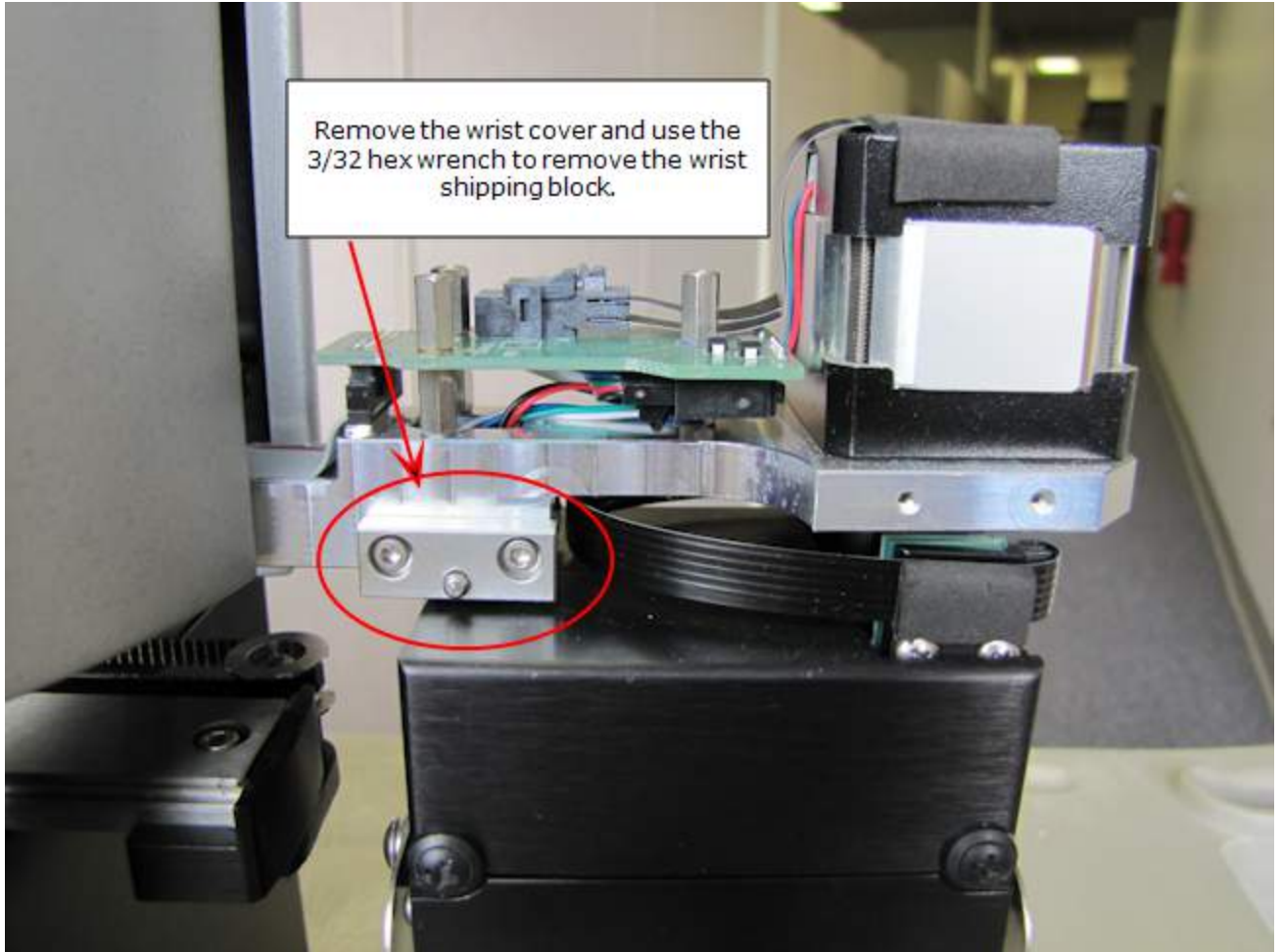
Warning: Remove the shipping hardware before turning on the BioStack.

Tools: You need a standard screwdriver, a small Phillips-head screwdriver, and 3/32" hex wrench.



Shipping hardware in the BioStack's interior (BIOSTACK2WR)

1. Locate and remove the shipping block and four mounting screws inside the BioStack.
2. Remove the carrier shipping screw.
3. Remove the gripper shipping screw.



Wrist/gripper cover removed exposing small wrist shipping bracket

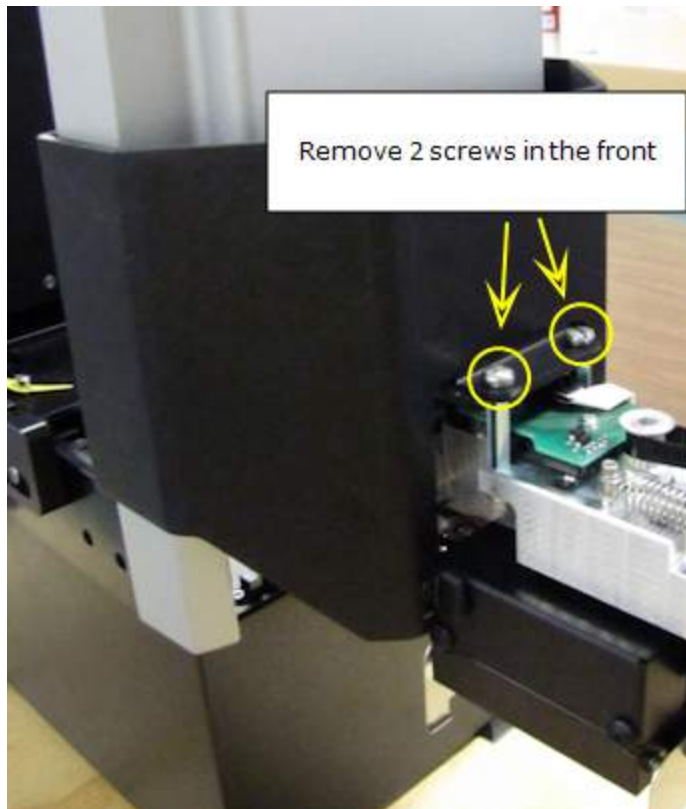
4. Remove the gripper cover (with the BioStack label) using the Phillips screwdriver to expose the small wrist shipping block.
5. Use the 3/32 hex wrench to remove the wrist shipping block.
6. Reinstall the wrist/gripper cover.
7. Store the screws with the other packaging materials in the shipping boxes.

Remove the Shipping Hardware—BioStack 3

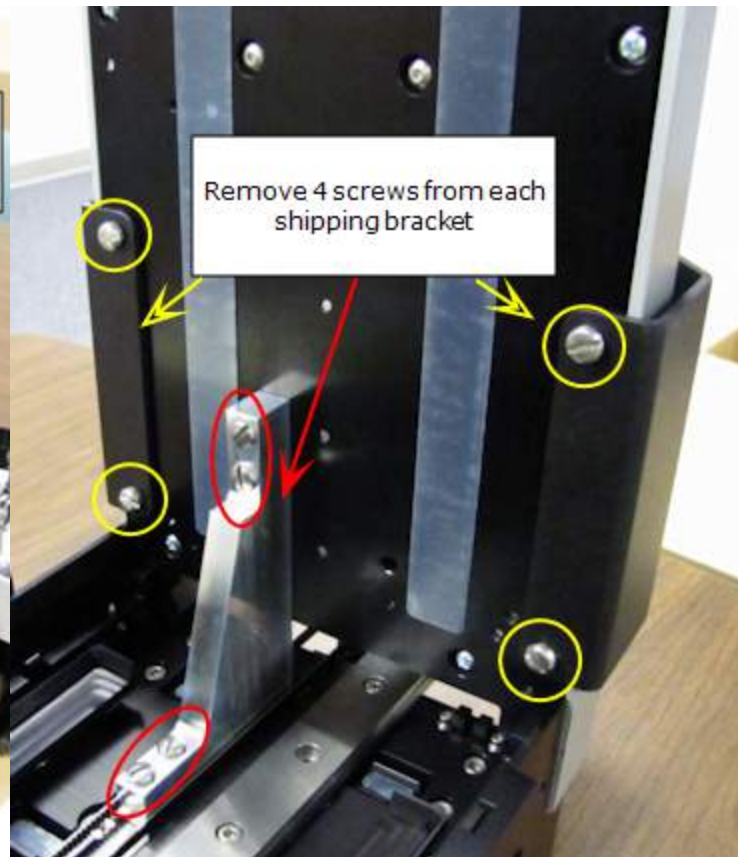


Warning: Remove the shipping hardware before turning on the BioStack.

Tools: You need a standard screwdriver and a small Phillips-head screwdriver.

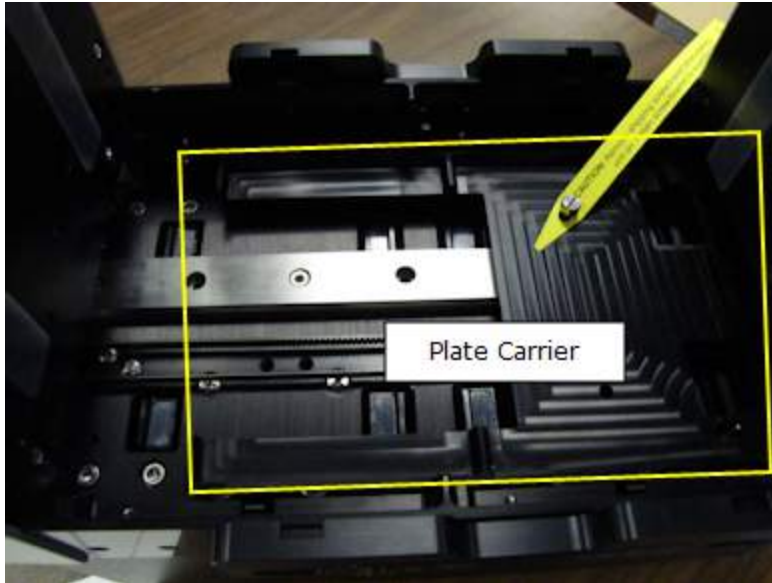


One shipping bracket wraps around the front



Another shipping block sits inside

1. Remove the two screws from the front of the instrument.
2. Remove the remaining 4 screws inside that hold the bracket onto the instrument. Carefully remove the bracket.
3. Locate and remove the shipping block and four mounting screws inside the BioStack.



Gripper arm cover and screws

4. Remove the plate carrier shipping screw.
5. Remove the rubber band that holds the rotational wrist secure.

Note: Do not let the gripper flop around! Before moving the BioStack 3 or BioStack 4, secure the gripper with a rubber band or tape to prevent it from losing its alignment. A complex recalibration is required if it is knocked out of position.



Installing the gripper arm cover



Save the shipping hardware

6. Locate and install the gripper arm cover using the small Phillips-head screwdriver.

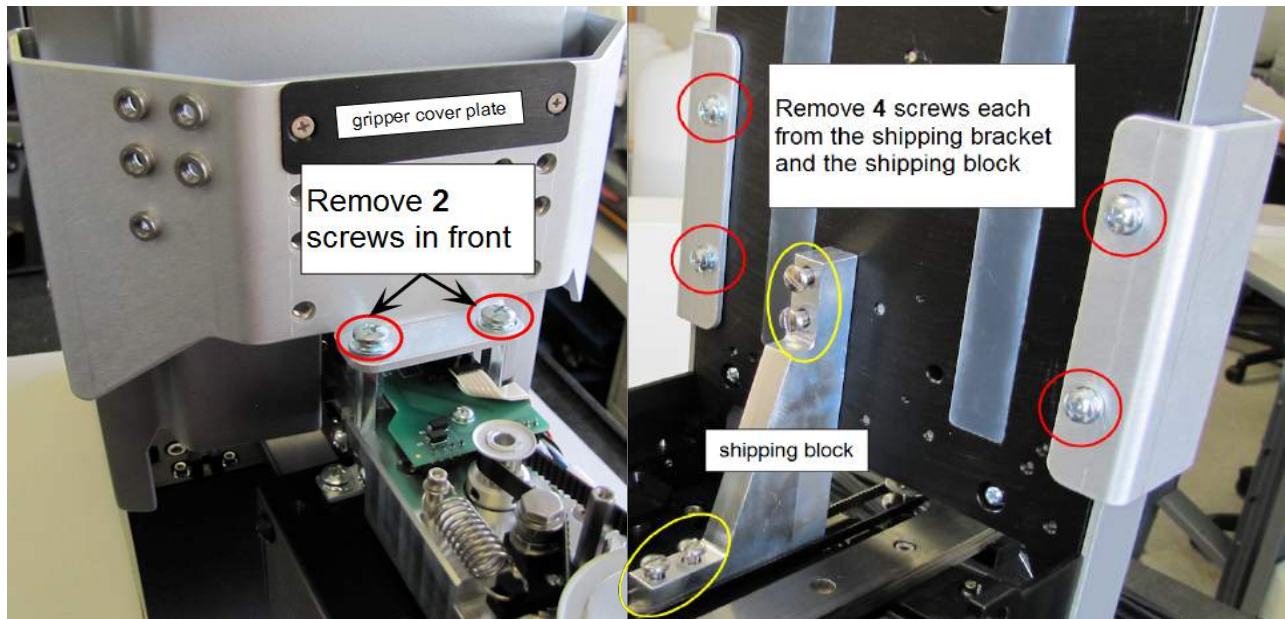
7. Store all the shipping hardware and screws with the other packaging materials in the shipping boxes and keep for future use.

Remove the Shipping Hardware—BioStack 4



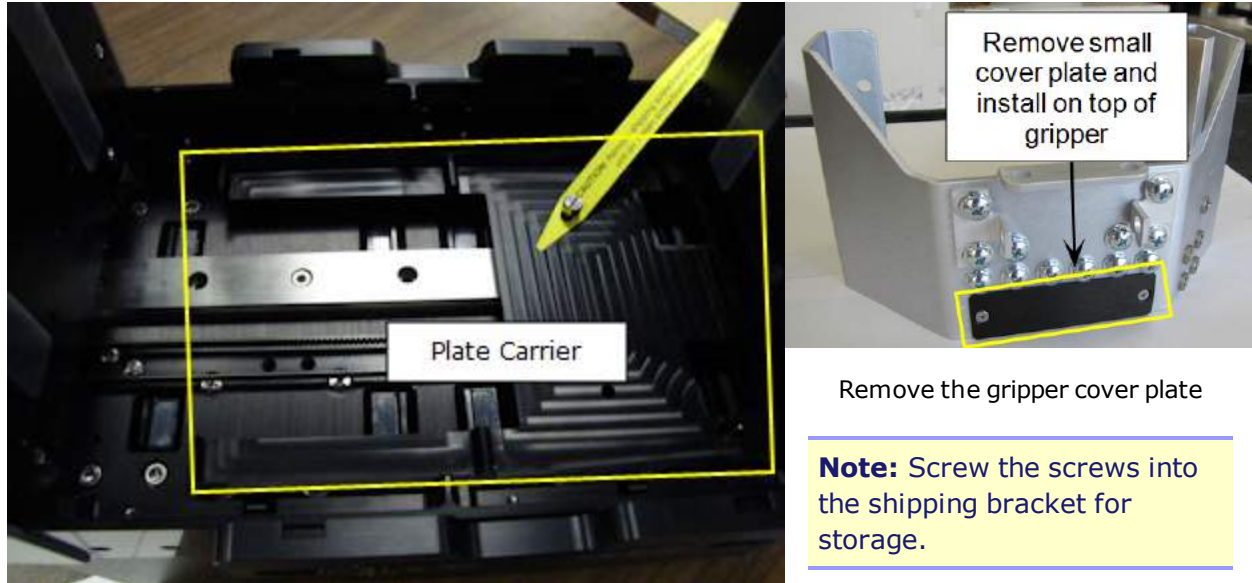
Warning: Remove the shipping hardware before turning on the BioStack.

Tools: You need a standard screwdriver and a small Phillips-head screwdriver.

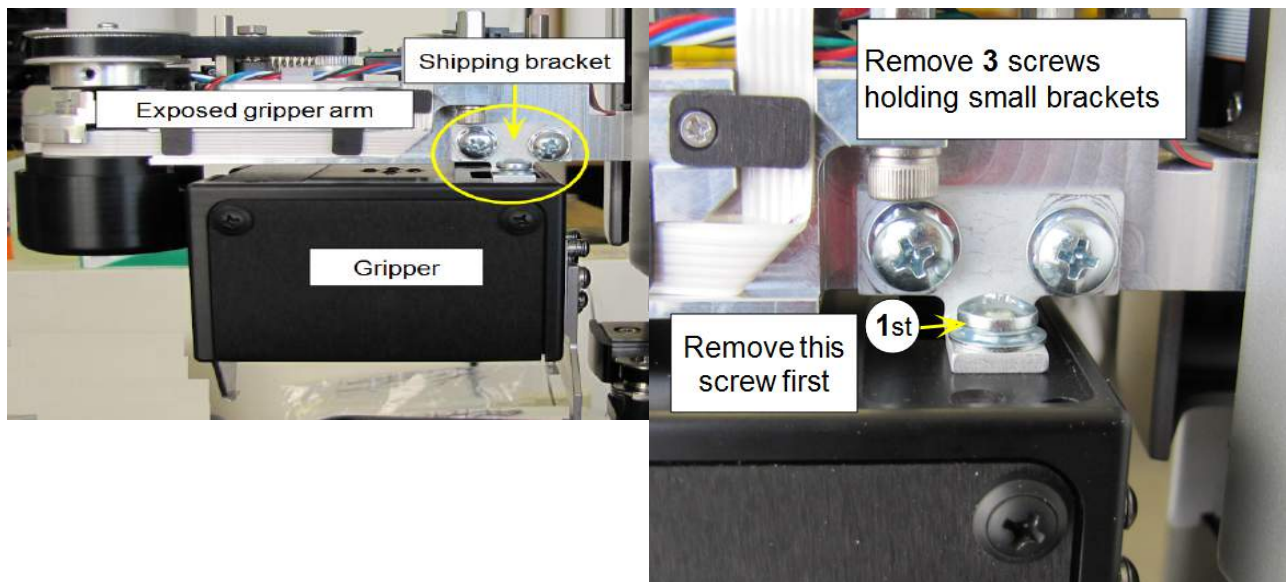


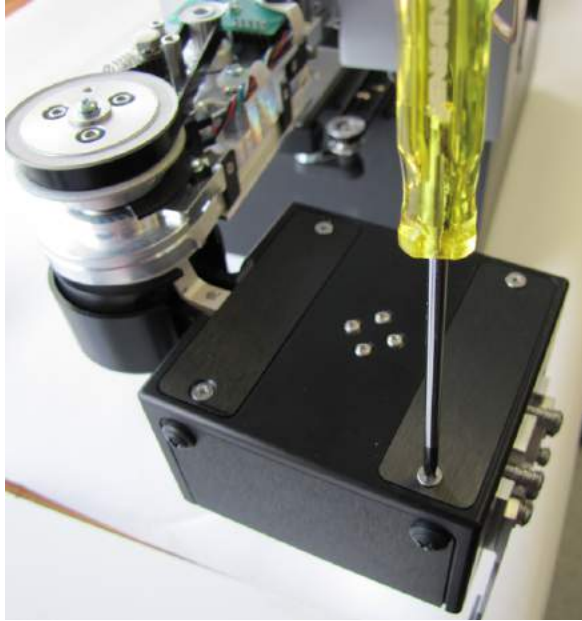
One shipping bracket wraps around the front and attaches to the inside. A shipping block sits inside.

1. Remove the two screws from the front of the instrument.
2. Remove the remaining 4 screws inside that hold the bracket onto the instrument. Carefully remove the bracket.
3. Remove the shipping block and four mounting screws inside the BioStack.
4. Remove the small, black cover plate that is stored on the shipping bracket. (See picture below.)



5. Remove the plate carrier shipping screw.
6. Returning to the front of the BioStack, remove the rubber band that holds the rotational wrist secure.
7. Remove the small shipping brackets on each side of the wrist that hold the gripper steady. On both sides, **first** remove the screw from the gripper itself, then remove the two screws from the gripper arm.

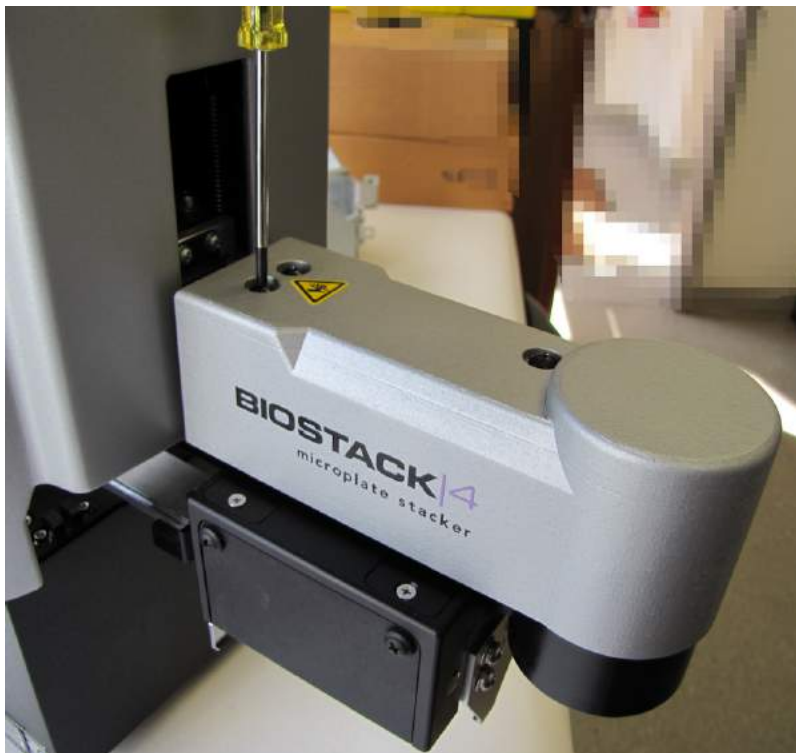




Gripper Arm Cover

8. Install the small cover plate you removed from the shipping bracket on top of the gripper, using the small Phillips-head screwdriver.

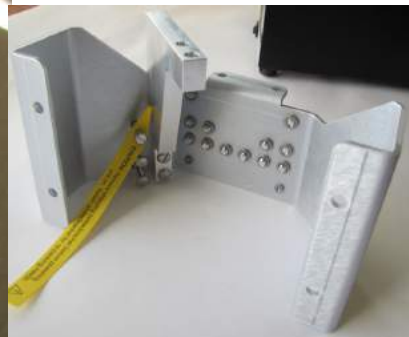
Note: Do not let the gripper flop around! Before moving the BioStack 3 or BioStack 4, secure the gripper with a rubber band or tape to prevent it from losing its alignment. A complex recalibration is required if it is knocked out of position.



Installing the gripper arm cover



Save the shipping hardware



9. Locate and install the gripper arm cover using the small Phillips-head screwdriver.
10. For safekeeping, screw all the screws and washers, the small shipping brackets and the large shipping block onto the large shipping bracket. Store the shipping hardware with all the other packaging materials in the shipping boxes and keep for future use.

Wrist Angle Setting Requirements

Each instrument requires the BioStack to have a certain wrist angle setting:

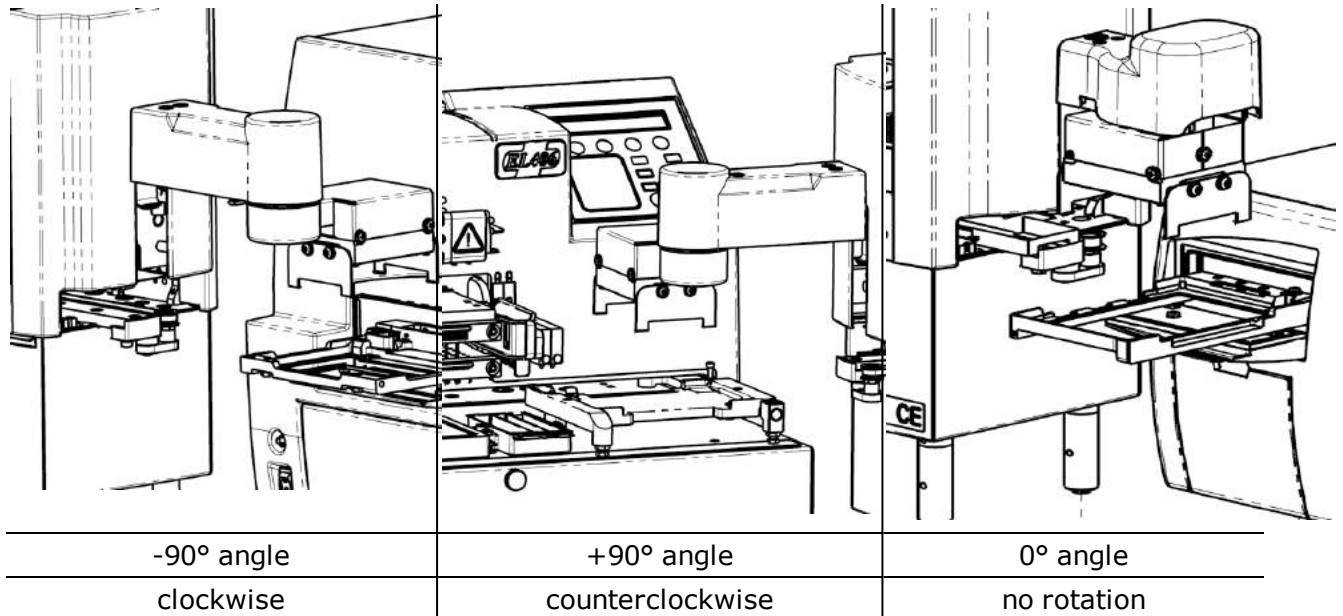
- The BIOSTACK2WR ships with the wrist angle set to 90°; its other setting is 0°.
- The BIOSTACK3WR/BIOSTACK4 ships with the wrist angle set to +90°; its other settings are 0° and -90°.

Instrument	BIOSTACK2WR	BIOSTACK3WR/BIOSTACK4
Liquid Handlers		
405 TS, 405 LS*	90°	+90°
EL406, ELx405*	90°	+90°
MicroFlo Select*	90°	N/A
MultiFlo, MultiFlo FX*	90°	+90°
Precision/XS, MicroFill	0°	N/A
Readers		
Cytation 1, 3, 5	N/A	+90°
Eon	0°	0°
EpochR	0°	-90°
Epoch 2	90°	+90°
PowerWave HT	90°	+90°
Synergy H1	90°	+90°
Synergy 2, 4, MX, HT, HTX, H4	0°	-90°
Synergy Neo/Synergy Neo2	N/A	0° (BioStack4 Only)

* **0°** orientation (front-facing integration) is possible with these liquid handlers and the **BIOSTACK2WR**. See [0 Degree Orientation for Liquid Handlers](#) below.

If your instrument requires a wrist angle other than the default (shipped) setting you must follow the procedure: **Change Setting for Wrist Angle on page 29**

The wrist angle designates the position of the gripper:



When viewed from above, the +90° angle setting turns the wrist counterclockwise, the -90° turns the wrist clockwise, and the 0° angle does not turn the wrist.

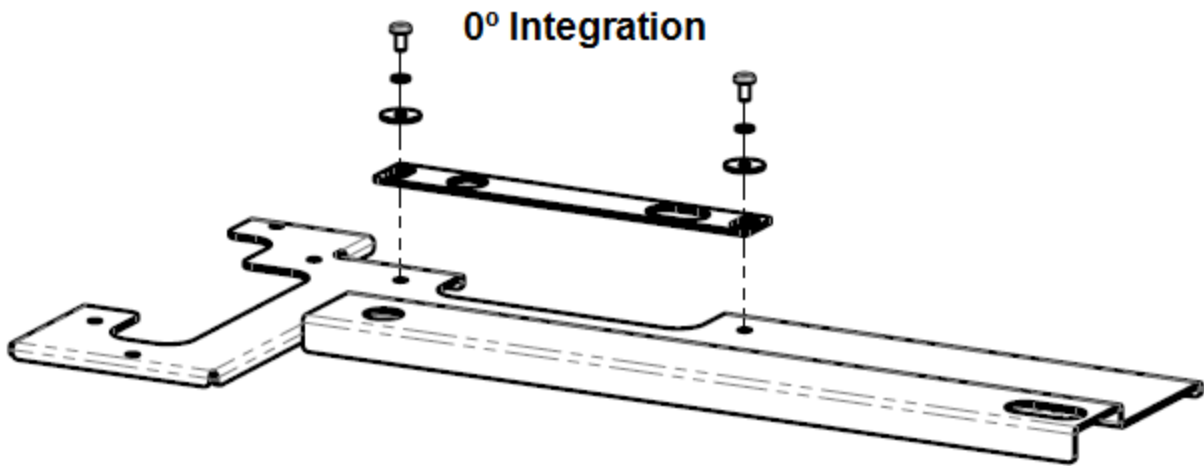
- Always put the barcode scanner on the opposite side of the gripper's position. +90°/90° put scanner on right side; -90 put the scanner on the left side of the instrument as you are facing it.

0 Degree Orientation for Liquid Handlers

Most BioTek liquid handlers can interface with the **BIOSTACK2WR** in a front-facing or 0° orientation. This may be necessary to fit both the instrument and the BioStack in a safety hood, for example. Or when bench space is limited.

- This option is **not** supported with BioStack 3 or BioStack 4.

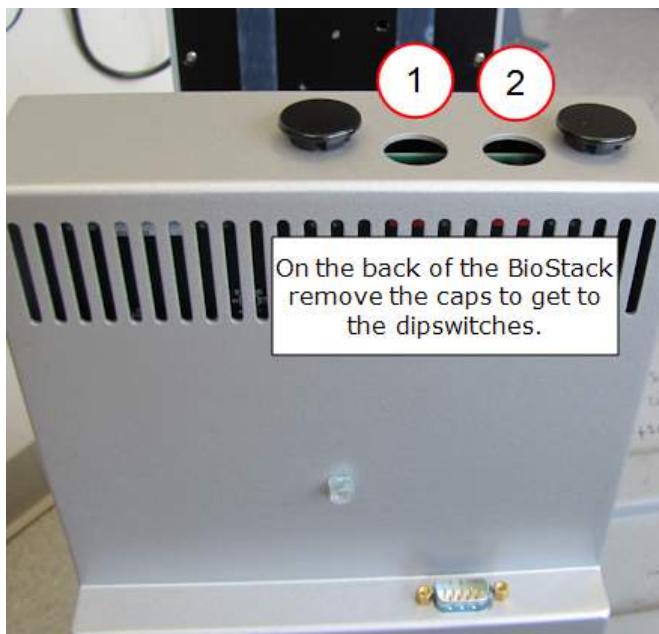
Change the dipswitch setting as described below. Attach the BioStack aligning plate to the instrument's aligning plate in the front holes provided, as shown here:



0° Integration Position

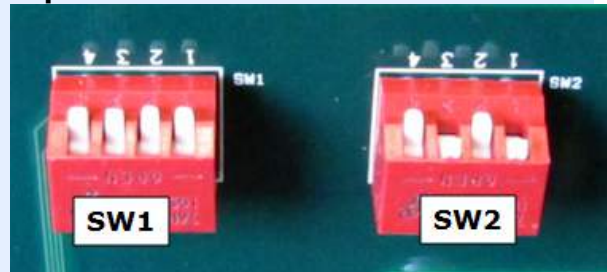
Dip Switch Settings

Two sets of dip switches on the BioStack control variable options, e.g., to change the wrist angle, use 50-plate stacks, or install the barcode scanner.



Back of the BioStack showing dip switch access openings: 1 and 2.

Dip switch 1 and 2



Two arrays of dip switches, switch 1: SW1 and switch 2: SW2. On each switch, note the sequence, from **right to left**, of the four switches.

Closed = toward board; Open = away from board. All SW1 switches are closed in the photo above.



Warning: Do not change a switch setting unless explicitly instructed to do so.

Switch 1	All Models
SW1 - 1	Plate Height: Closed = Normal, standard plates; Open = for low-profile plates.
SW1 - 2	Do Not Change! 2WR = Closed, 3WR = Open.
SW1 - 3	Barcode Scanner: Closed = Not installed; Open = Installed.
SW1 - 4	Closed: Do Not Change!

Switch 2	BIOSTACK2WR	BIOSTACK3WR/BIOSTACK4
SW2 - 1	Closed = for 10 or 30 plate stacks; Open = for 50 plate stacks	
SW2 - 2	Closed: Do Not Change!	Closed: Do Not Change!
SW2 - 3	Wrist Angle: Open = 90°; Closed = 0°	SW2-3 Closed and SW2-4 Open = 0° Wrist Angle
SW2 - 4	Closed: Do Not Change!	SW2-3 Open and SW2-4 Closed = +90° Wrist Angle
		SW2-3 Closed and SW2-4 Closed = -90° Wrist Angle

Change Setting for Wrist Angle

Most BioTek instruments require the BioStack wrist to be set at a specific angle. Follow these instructions to change the wrist angle dip switch setting for your instrument.

See Wrist Angle Setting Requirements on page 26

1. Turn off the BioStack.
2. Two plugs on the rear wall of the instrument cover two sets of dip switches. Remove plug #2, the plug on the right when viewing the instrument from the rear.
3. Using a pencil tip, change the switch settings to suit your instrument:

Switch 2

Wrist Angle	BIOSTACK2WR	BIOSTACK3WR/BIOSTACK4
90°/+90°	SW2 - 3 = Open	SW2-3 Open and SW2-4 Closed
0°	SW2 - 3 = Closed	SW2-3 Closed and SW2-4 Open
-90°	N/A	SW2-3 Closed and SW2-4 Closed

4. Replace the plug.

Change Setting for 50-Plate Stacks

For better performance when using 50-plate stacks and routinely processing more than 30 plates, change the dip switch setting. This changes the BioStack's behavior to better handle the heavier load.

1. Turn off the BioStack.
2. Two plugs on the rear wall of the instrument cover two sets of dip switches. Remove plug #2, the plug on the right when viewing the instrument from the rear.
3. Using a pencil tip, push **SW-2** switch #1 (the right-most dip switch) to its **Open** position, away from the instrument.
4. Replace the plug.

Test Plates for Compatibility—BioStack 4 Only

Perform this simple test to make sure your microplates are compatible with the BioStack 4:



1. Turn off and unplug the BioStack, if necessary. Raise the gripper and move its wrist out of the way.
2. Expose the BioStack's plate carrier: slip your hand inside the front of the BioStack under the gripper, feel for the outer edge of the plate carrier and gently pull it out.
3. Put one of your microplates on the carrier and slide it around a bit to make sure there is at least some room around the plate, i.e., enough space to move the plate.

If the plate fits too snugly in the carrier, you can loosen screws in the side of the carrier to give the plate more room: [See **Loosen Plate Carrier Set Screws - BioStack 4 Only** on page 90.](#)

 Strongly recommended: Measure your plate and lid type to verify they meet the minimum requirements before use: [See **Specifications** on page 9.](#) Some plate types are not compatible.

Connect to Power



Warning! Power Rating. The BioStack must be connected to a power receptacle that provides voltage and current within the specified rating for the system. Use of an incompatible power receptacle may produce electrical shock and fire hazards.



Warning! Electrical Grounding. Never use a plug adapter to connect primary power to the BioStack. Use of an adapter disconnects the utility ground, creating a severe shock hazard. Always connect the system power cord directly to an appropriate receptacle with a functional ground.

The BioStack supports voltage in the range of 100–240 V~ at 50–60 Hz.

1. Connect the power cable to the power supply.
2. Plug the cable into the power socket in the rear panel of the BioStack. Tighten the knurled nut.
3. Insert the three-prong plug into an appropriate receptacle.

Connect to Computer

For Gen5 and LHC users

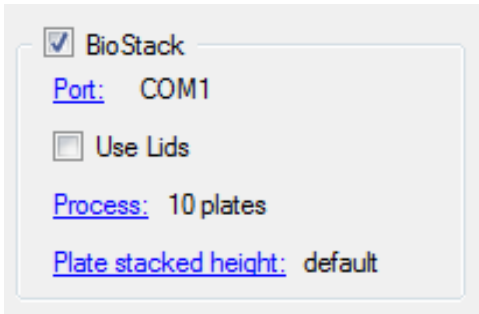
Note: See [Connect to Liquid Handler on the facing page](#) if you are not controlling your washer/dispenser with BioTek's LHC software.



Epoch 2T and EPOCH2TC models with onboard Gen5 TS: connect the BioStack directly to the reader (rather than an external computer, if desired). Use the USB cable provided with the BioStack, then follow Gen5 TS instructions below, to control the BioStack with the touch screen. (Find the USB port in the top left corner of the Epoch 2's rear panel. Only one device can be connected at a time.)

When operating the BioStack with a reader (except touch screen instruments) or with a liquid handler being controlled by LHC (BioTek's Liquid Handling Control software), **connect the BioStack to the host computer:**

1. Use the USB or serial cable to connect the BioStack to the computer.
 - If using a USB cable, and you have not already done so, follow the instructions to install the USB Virtual COM Driver Software and to identify the COM port. (Skip this step for the EPOCH2T and EPOCH2TC models.)
2. Turn on the BioStack and **Test Communication** between the BioStack and the computer:

LHC	Gen5/Gen5 TS
	<ol style="list-style-type: none"> 1. Select System>Instrument Configuration>Add Stacker. 2. Select the Com Port and click Test Comm. <p>If you have two readers set up in Gen5, select the checkbox to tell one to Use the stacker.</p>
<p>Select the BioStack checkbox and specify its COM port. Click the Test Communication link.</p>	<p>Refer to Gen5's Help and the instrument-specific instructions provided.</p>

- If the test passes, return to the main view.
- If the test fails, check the cable connection to the BioStack or try a different port. Contact BioTek TAC if problems persist.

Connect to Liquid Handler



Warning! Keep your hands away from the BioStack's gripper and microplate carrier while the instruments are powering up.

To control the BioStack with the washer or dispenser, rather than LHC:

1. Turn off both instruments.
2. Plug in the serial cable supplied to connect the two instruments. Tighten the securing screws.
3. **BIOSTACK2WR**: If the gripper is resting on the interfacing instrument's plate carrier, manually raise it above the carrier.
4. Turn on the BioStack (the power switch is located on the rear panel). The BioStack will home all axes (grripper, carrier, input and output stack lifts) and perform a System Test.
 - If the System Test passes, the LED status light on the rear panel will turn on and flash until the power-up process is complete (approximately 20 seconds), then it will remain on.
 - If the System Test fails, the LED status light will flash repeatedly. If this happens, turn off the BioStack. Make sure there is no plate on the carrier, and check for any obstructions. Ensure that all of the shipping hardware has been removed. If you cannot resolve the problem, contact BioTek's Technical Assistance Center.

Configure the Liquid Handler to Control the BioStack

Note: The keypad instructions may vary slightly for your washer or dispenser. Refer to its operating manual, if needed, for more precise instructions.

1. Turn on the washer/dispenser and allow its System Test to complete.
2. Press the **Setup Menu** key.
3. Select →, **BIOSTK > CONF.**
4. Select **BIOSTACK.**

5. When RE-STACK? appears, select **YES**.
6. Press the **Main Menu** key.

405 TS and MultiFlo FX (Touch Screen Instruments) Only

Enable the BioStack to operate with the washer/dispenser:

1. Turn on the washer/dispenser and allow its System Test to complete.
2. At the Home screen, select **Instrument > Next > BioStack**.
3. Select the **BioStack** checkbox to show it is installed.
4. Press **Get Basecode Version** to ensure the instruments are communicating. If you get an error message, check the cabling and restart both instruments.

Test Communication

- (Optional) Use the Software Data Sheet on page 30 to record software version and checksum information.
- If software version/checksum information is displayed without error, the Communication Tests completed successfully.

Keypad: From the main menu, select **UTILS > TESTS > CHKSUM/SOFTWARE > BIOSTACK**.

Touch screen: At the Home screen, select **Instrument > Next > BioStack**

Communication is successful if the BioStack basecode software version (the first number), interface definition version (the second number), and checksum are displayed.

If communication is not successful, look up the error code: **Communication Error Codes on page 74**. Contact BioTek if you cannot resolve the problem.

Where to Go Next

To	See
Install the BioStack with an interfacing instrument	The instrument-specific PDF files for alignment instructions
Install the barcode scanner (if purchased)	The Barcode Scanner section beginning on page 93
Operate the BioStack	The Operation chapter beginning on page 41
Maintain the BioStack	The Maintenance chapter beginning on page 59 for cleaning and decontamination instructions
Qualify the BioStack	The Qualification chapter beginning on page 69 for recommended procedures to qualify the initial and ongoing performance of the BioStack
Interpret error codes or resolve problems	The Troubleshooting chapter beginning on page 73

Repacking the BioStack

Prior to sending your instrument to us for repair, log into the Customer Resource Center (www.biotek.com) to submit a Service Request for a Service Call Notice (SCN) number. Your instrument's serial number is needed to process an SCN.

■ Decontaminate the instrument before returning it: See **Decontamination**

■ Failure to comply with the following instructions will void the instrument's warranty and result in additional charges if the instrument is damaged.

If you have lost the original packing materials, contact BioTek TAC to order:

- BIOSTACK2WR: PN 7310014
- BIOSTACK3WR: PN 1160003
- BIOSTACK4: PN 1230007

■ The instrument's packaging design is subject to change. If these instructions do not apply to the packaging materials you are using, please contact BioTek's Technical Assistance Center for guidance.

■ If the packaging materials have been damaged, lost, or used more than four times, contact BioTek to order replacements: PN 7310014 for BIOSTACK2WR; PN 1163003 for the BIOSTACK3WR; PN 7313007 for the 10-plate stacks; PN 7313001 for the 30-plate stacks; PN 7313006 for the 50-plate stacks.

- The microplate stacks do not need to be returned with the instrument unless a problem has occurred with plates in the stacks.
- The barcode scanner does not need to be returned with the instrument unless a problem has occurred with the scanner. **Remove the scanner before repacking the BioStack.**

Obtain a Work Order Number:

- Contact BioTek TAC to obtain a work order number
- Include the work order number in the shipping address label:

BioTek Instruments, Inc.
ATTN: work order number xxxxx
15 Tigan Street
Winooski, Vermont 05404 USA

Install the Shipping Hardware—BioStack2WR

Reverse the process of uninstalling the shipping hardware. Refer to photos on [page 18](#).

Tools: You need a standard screwdriver, a small Phillips-head screwdriver and 3/32" hex wrench.

1. Turn on the BioStack to keep the gripper arm in its highest position.
 - If the BioStack cannot be turned on, manually raise the gripper to its full height and hold it there.
2. Install the gripper shipping screw (see below).
3. Remove the gripper arm cover and install the wrist shipping block using the hex wrench.
4. Replace the gripper arm cover.
5. Install the shipping block inside the instrument.
6. Install the plate carrier shipping screw.

Next step: **Repacking—Install Shipping Panel on page 39**.

Install the Shipping Hardware—BioStack 3

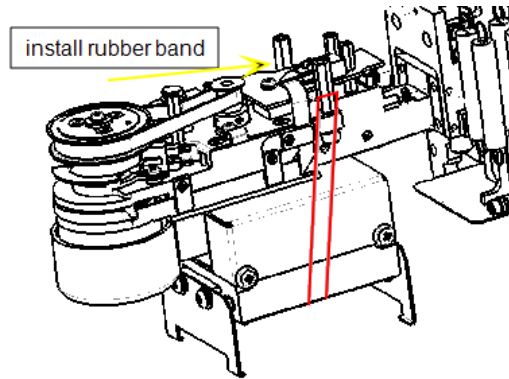
Reverse the process of uninstalling the shipping hardware. Refer to the photos on [page 20](#).

Tools: You need a standard screwdriver and a small Phillips-head screwdriver.

1. Turn off the BioStack and unplug the power cable.
2. Remove the gripper arm cover. Place the screws in the plastic bag (#98170) and put the bag inside of the arm cover. Put the arm cover with the screws into the bubble bag (#91083).



3. When the cover is removed, wrap the wrist with a rubber band to secure it for shipping. Loop the rubber band around posts on either side of the wrist.
4. Install the shipping block inside the BioStack and the plate carrier screw.
5. Install the large shipping bracket that wraps around the front.



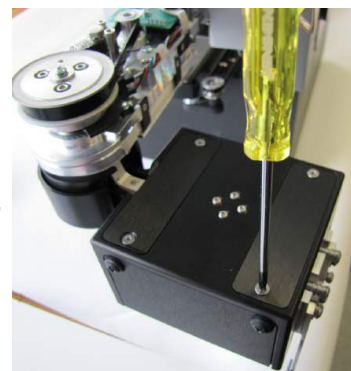
Next step: **Repacking—Install Shipping Panel on the facing page.**

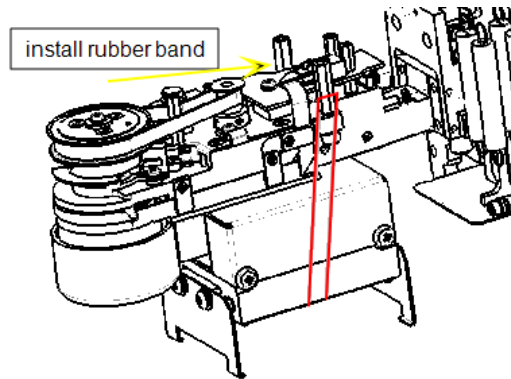
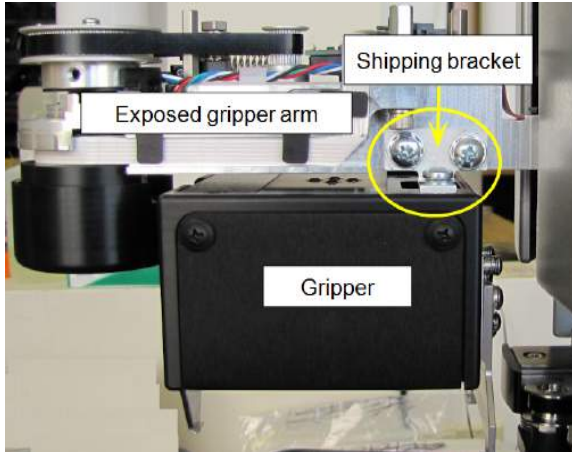
Install the Shipping Hardware—BioStack 4

Reverse the process of uninstalling the shipping hardware. Refer to the photos on page 23.

Tools: You need a standard screwdriver and a small Phillips-head screwdriver.

1. Turn off the BioStack and unplug the power cable.
2. Remove the gripper arm cover. Place the screws in the plastic bag (#98170) and put the bag inside of the arm cover. Put the arm cover with the screws into the bubble bag (#91083).
3. Remove the small cover plate from the top of the gripper using the small Phillips-head screwdriver. This exposes the holes for installing the two small shipping brackets.
4. Attach the cover plate to the large shipping bracket for safekeeping.
5. Install the small shipping brackets on both sides of the gripper: first install the screw into the gripper, then the two screws into the gripper arm.

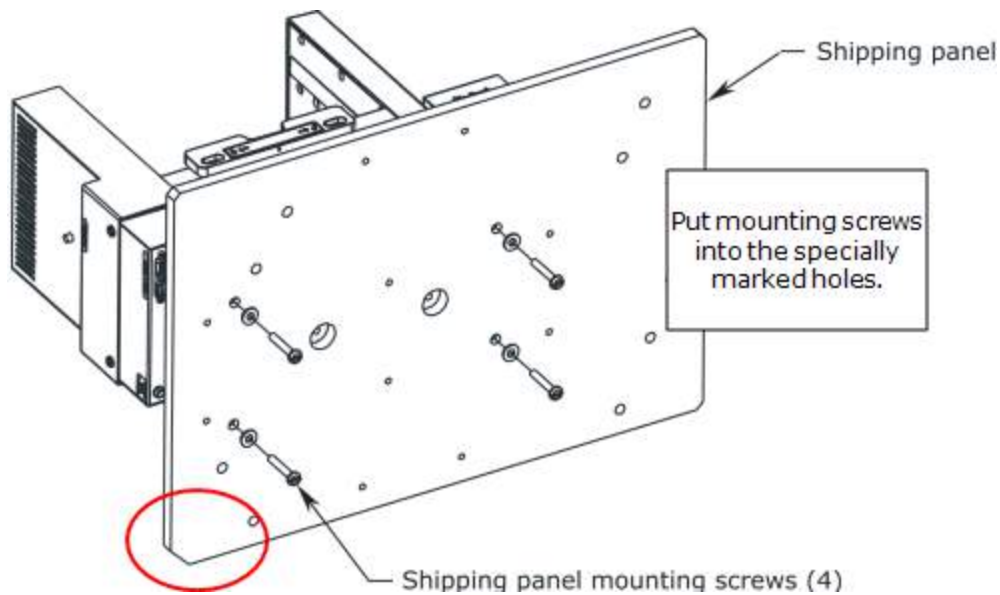




6. Wrap the wrist with a rubber band to secure it for shipping. Loop the rubber band around posts on either side of the wrist.
7. Install the shipping block inside the BioStack and the plate carrier screw.
8. Install the large shipping bracket that wraps around the front.

Next step: **Repacking—Install Shipping Panel below.**

Repacking—Install Shipping Panel



Shipping panel in the proper orientation—notch in left-bottom corner

1. Carefully lay the BioStack on its side, with the bottom facing you and flush against the edge of the work surface.
2. If applicable, remove the four aligning posts/legs. Keep the posts with the accessories package.

3. Install the shipping panel with the accompanying mounting screws and washers. (Note the orientation of the panel to the instrument.)
4. Lift the instrument until it is resting upright on the work surface.
5. Grasp the shipping handles and carefully lower the BioStack into the inner shipping box. Lower the inner sleeve into the inner shipping box.
BIOSTACK2WR: Place the gripper arm cover in its bubble bag. Put the various accessories, power supply, and so on into one of the side compartments of the inner sleeve.
6. Put the corner blocks on the inner shipping box and put it into the outer shipping box. Tape the box closed.
7. Write the work order number in large, clear letters on the outside of the box. Ship the box to BioTek.

Operation

This chapter provides instructions for controlling the BioStack.

Before You Start	42
Load Plates into Input Stack	43
Processing Microplates	46
Processing Plates with Lids	49

Before You Start

If you have not already done so:

- Install the BioStack with the interfacing instrument using the instrument-specific instructions provided.
- If the instruments have been moved since installation, perform the **Verify Test** to re-verify alignment.
- Install the interfacing instrument's components according to the instructions in its operator's manual.


- Always do a practice run to make sure the BioStack properly delivers and retrieves plates from the interfacing instrument before doing an actual run.

- Never remove the plate stacks during operation.

Load Plates into Input Stack

- When loading plates into the input stack, be sure to orient the plates to match the expected placement of well A1 on the interfacing instrument's carrier.
- Make sure the plates are not overfilled, or the plates may stick together and not separate for processing.

Important: Beware of condensation forming on lids. Do **not** process plates with lids when the application causes condensation on the lids: the condensate may drip and contaminate the plate, which could lead to false results. Review these guidelines: **Prevent Condensation on Plate Lids on page 51.**

 Practice loading a few empty plates into the stack to get comfortable with the process.

Before starting a program with the BioStack, load the microplates into the input stack. To make it easier, use the supplied plate-stacking pedestal (PN 7312083). When finished, refer to the labels on the stack locks for stack placement and the direction arrows at the top of the stacks for orientation.

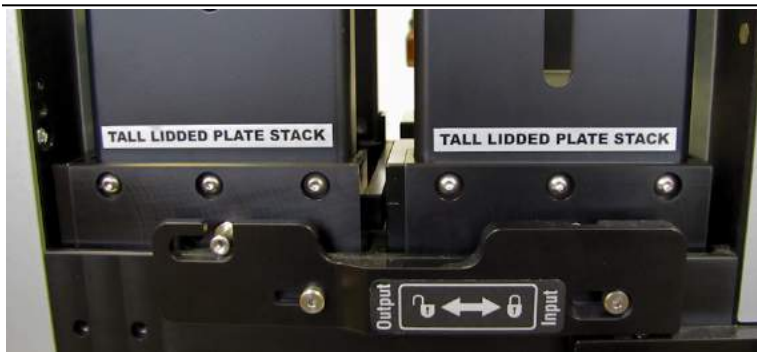


Stack Lock: identifies the **Input** and **Output** stack locations

Slide to lock the stacks in place.



Make sure the stack label points toward the gripper.



Special stacks labeled "TALL LIDDED PLATE STACK" are **required** to process plates with lids (and plates taller than 14.6 mm without lids).

BioStack Barcode Scanner: use plates with flat, vertical sidewalls to ensure the labels will lie flat upon the surface. [See Preparing and Attaching Barcode Labels on page 99.](#)

Load Plates Using the Pedestal

BioTek provides a handy tool for loading plates into and removing them from a stack.

The pedestal, PN 7312083, gives you better access to the plates when loading the stack, helping to ensure they sit properly and evenly.

- When loading the maximum number of plates supported by the stack onto the pedestal, the top few plates may rise above the top of the stack. They will lower into the correct position when the stack is lifted.

Reverse the procedure to empty a stack: Put the full stack on top of the pedestal to give yourself a hand-hold to lift out the plates.



Step 1:
Put the empty stack on top of the pedestal.



Step 2:
Load the plates into the stack on top of pedestal.

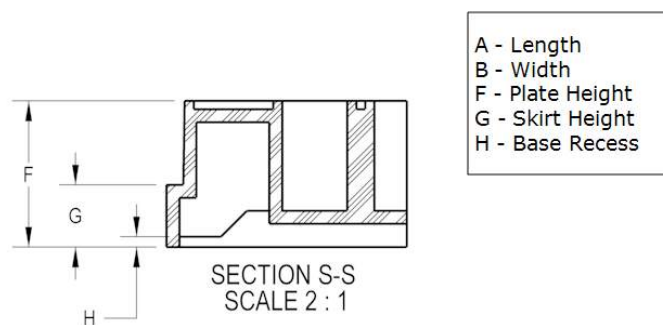
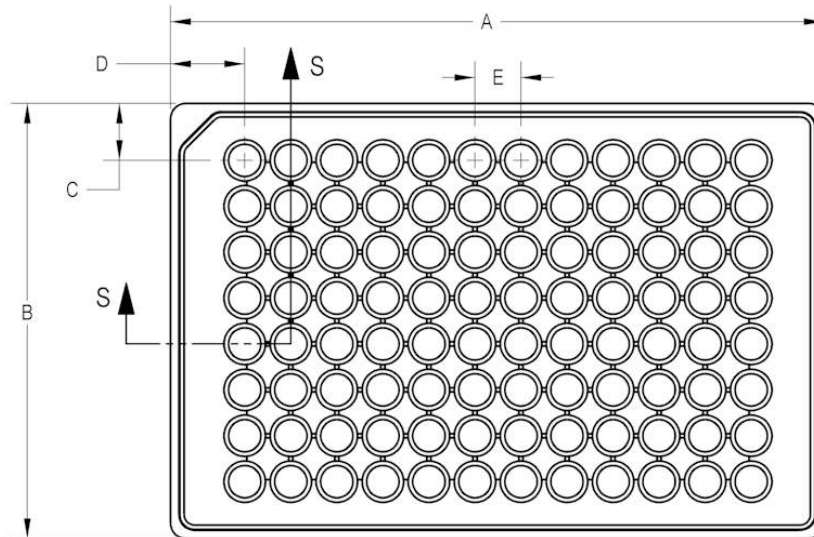


Step 3:
Lift the stack up and off the pedestal.

Supported Microplate Types and Dimensions

See also Specifications on page 9.

Microplates must be stackable and of single-piece construction. Do not use removable-strip-type plates.

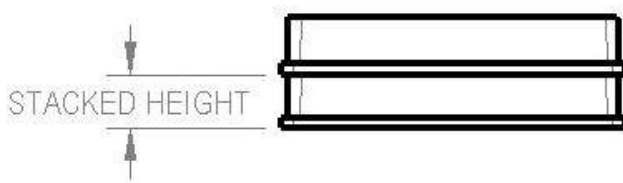


A - Length
B - Width
F - Plate Height
G - Skirt Height
H - Base Recess

A: Length: 127.76 mm \pm 0.25 mm

B: Width: 85.48 mm \pm 0.25 mm

F: Plate Height: \sim 10.16 mm to 14.60 mm (exception for [stay-on lide mode](#))



Nesting: The microplates must nest with each other. Plates with ribs or other small, sharp edges on their base may not stack well and may "catch" when moving down the stack. Plastic burrs (extra plastic) on the edges of plates may also cause problems.

Stacked height is the plate height minus the base recess. Most plates have a base recess of 1.0 mm and a skirt height of 2.4 mm, 6.1 mm, or 7.6 mm.

See [Plate Stacked Height](#) on page 88.

- Less-rigid polypropylene, low-profile PCR plates must have sealing tape applied over the entire top surface. BioStack 4 is designed to better handle plate warping than other models, nevertheless, these plates may cause problems, especially after thermocycling.

Do your plates nest easily?

Perform this test to determine whether a particular brand of plates will nest easily: Stack one plate on top of another and then check to see if the top plate is slightly (1 mm or 1/16") off to the side or front-to-back. If this is the case, the plates may catch when moving down the stack.

Processing Microplates

After aligning the BioStack's gripper with the instrument's plate carrier, you can begin processing microplates:

- **Load Plates into Input Stack on page 43**
 - **Load Plates Using the Pedestal on page 44**
 - **Lock the stacks:** Slide the stack locks after loading the input and output stacks.
- Consider whether to **Restack the Plates on page 49**
- Review **Processing Plates with Lids on page 49**, if applicable
- **Start Up the BioStack on page 57**

Controlling the BioStack:

Keypad Control (liquid handlers only)	Computer Control
<p>When controlling the BioStack with the instrument's keypad, plates are automatically transferred whenever a protocol other than a maintenance or priming protocol is run. Make sure the washer/dispenser is configured for BioStack operation: Connect to Liquid Handler on page 33.</p>	<p>Review instructions in the software's Help system to tell the BioStack when to transfer microplates. When using one computer to control multiple instruments, open two sessions of the software, one for each instrument.</p>

405 TS and MultiFlo FX touch screen instruments

You must create a BioStack-specific protocol. Refer to the instrument-specific instructions about operating with the BioStack.

LHC

You must create a protocol that includes BioStack start and end steps. Find step-by-step instructions for creating protocols in the LHC Help.

Gen5/Gen5 TS (touch screen)



After setup, Gen5 presents a dedicated [Stacker Automation](#) screen for reading the microplates in the input stack.

You can choose to read a certain number of plates or the whole stack and, if applicable, scan barcodes and control long-term kinetic experiments. The Stacker Automation screen also provides a control to "Restack the plates."

When an initial run has been completed, you can "**Add Plates**" to the experiment (and the input stack) and continue processing using the stacker.



Select **System > Instrument Configuration** and tell the reader to "Use stacker" (select checkbox), if you do not see the Stacker Automation window when running an experiment.

- **Use Lids:** Carefully review Gen5's online Help to understand the interplay between the various "Use Lids" controls when defining a protocol and setting the BioStack controls.

- **Plate Stacked Height** setting: When using either low-profile or taller-than-standard plates and under computer control, apply this setting to improve performance.

Stopping Plate Processing

Liquid Handlers (Keypad and LHC)



When you need to stop one or all plates from being processed, press the **Stop** button. Then, choose:


- **STOP** to discontinue the operation. The interfacing instrument will home its axes. Turn the BioStack off/on to perform its homing sequence.
- **RESUME** to continue execution where the instrument left off and complete the protocol.


- If a plate is being transferred when you press Stop, the keypad displays a "Please Wait" message until the current operation is completed.


Readers (Gen5/Gen5 TS)



Gen5 displays the **Stacker Processor** toolbar whenever an experiment for the interfacing reader is launched. The toolbar disappears at the end of a run, e.g., when there are no more plates in the input stack or the specified number of plates have been processed.

 **Stop:** to end the current process. The BioStack typically needs to be homed after being stopped, permanently ending the current run. Use **Pause** rather than Stop to temporarily interrupt the run.

 **Pause:** to temporarily stop the current process.

 **Resume:** to restart the paused process.



 **Home** the BioStack: useful for troubleshooting or restarting a process.

Details: If problems arise, BioTek TAC may find it useful to review the BioStack processing details collected by Gen5 to resolve the issue.

Note: You may need to manually remove a plate, lid, or both, from the BioStack if its operation is stopped mid-transfer. Lift the stack to a remove a plate from the track below it before restarting.

Restack the Plates

The BioStack can restack the plates after processing to restore their original order, moving the plates from the Output stack, back into the Input stack. When timing is important to your assay, restack the plates to ensure they are reprocessed or analyzed in the same order.

Keypad	LHC/Touch screen	Gen5/Gen5 TS
<ol style="list-style-type: none"> 1. Press UTIL>Setup Menu. 2. Select →, BIOSTK > CONF. 3. Select BIOSTACK. 4. When RE-STACK? appears, select YES or NO. 	 Add a restack step to the protocol. It must be outside the BioStack loop.	<ul style="list-style-type: none"> •  Restack plates • When running an experiment, specify the desired behavior before processing plates. • Select System>Instrument Control>Stacker and use the Plates & Stacks tab to restack the plates.

Processing Plates with Lids

BioStack 4 Only: when processing plates with lids:

- **Tall Lidded Plate Stack:** use the 30- and 10-plate stacks dedicated for plates with lids. Make sure the stack is labeled "Tall Lidded Plate Stack." Use these stacks for tall microplates (>14.6 mm) without lids, also. You can use any stacks when not processing lids or tall plates. **See also Stay-On Lid Mode (BioStack 4 Only) on page 10.**
- When filling the stack, ensure that every plate has a lid.
- Liquid handlers: Make sure you have a [Plate Lid Definition](#) file that matches your lids.
- Gen5-Readers: Make sure your [Plate Type](#) file contains accurate lid dimensions. **See [Plate Lid Definition Files](#) on page 52.**

- Trial runs are strongly recommended. Precise dimensions are required for smooth handling of the microplates and their lids. Test your setup with empty plates and lids before running your assay plates.

Important: Beware of condensation forming on lids. Do **not** process plates with lids when the application causes condensation on the lids: the condensate may drip and contaminate

the plate, which could lead to false results. Review these guidelines: **Prevent Condensation on Plate Lids on the facing page.**

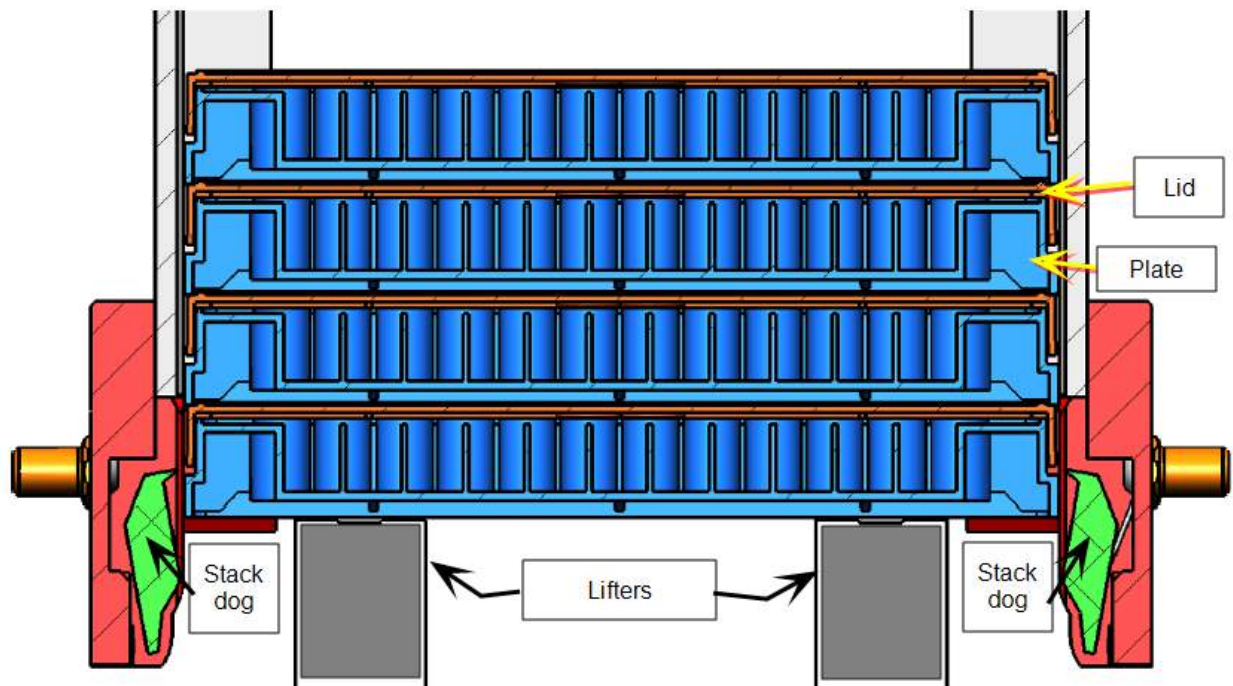
Plate De-Lidding: How It Works

BioStack 4 Only.

Here is an overview of how the BioStack 4 handles plates with lids. Like all BioStack processing, plates are pulled from the bottom of the input stack, i.e., the bottom plate is the first one transferred, and returned to the bottom of the output stack.

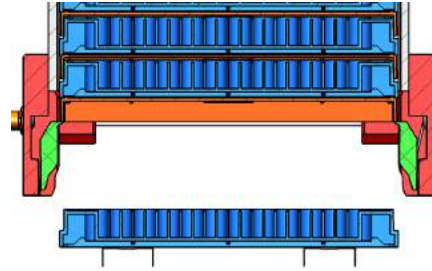
Important: Beware of condensation forming on lids. Do **not** process plates with lids when the application causes condensation on the lids: the condensate may drip and contaminate the plate, which could lead to false results. Review these guidelines: **Prevent Condensation on Plate Lids on the facing page.**

- When processing plates with lids the BioStack 4 performs several extra error-checking movements, using its fingers to determine if the expected labware, i.e., a plate, lid, or combination, is present.



Cross section of microplates with lids in the input stack

1. The BioStack removes the first plate, leaving its lid in the stack. The first plate is put on the BioStack's carrier and then transferred to the processing instrument's carrier.



2. After the first plate is processed, the BioStack simultaneously moves both the first plate's lid and the next plate in the stack to the its carrier. (To keep the plates covered for as long as possible the BioStack waits till the processing instrument is finished.)



3. The BioStack retrieves the processed plate. Then, lifts the pair moved in the previous step (the next plate and the current plate's lid). The carrier moves the processed plate under the gripper, and the BioStack replaces its lid.
4. Finally, the BioStack repositions the next plate to better grasp it and moves it to the processing instrument.

■ **Reading plates with lids:** The Gen5 option "Keep lids on during read" performs differently depending on the plate type. The BioStack 4 can keep the lids on plates throughout processing only when they meet the requirements of **Stay-On Lid Mode (BioStack 4 Only) on page 10**. Otherwise, a plate's lid is temporarily removed and replaced during the transfer.

Prevent Condensation on Plate Lids

These recommendations have been effective at minimizing condensation on the microplate lids :

- Avoid temperature changes during the application that can cause condensation. Run experiments at ambient temperatures, if possible. Synergy Neo, Synergy Neo2, Synergy H1, Synergy HTX, Cytation 3, Cytation 5, and Epoch 2 users: apply a 1 or 2 gradient to your incubator to help prevent condensation.
- Treat the inside covers with surfactant, for example: 0.05% Triton X-100 in 20% ethanol. Pour 2 or 3 mL into the lid and tilt it several times to ensure even coverage of the inner surface. Wait 15–30 seconds and pour off the treatment solution. Shake the lid to remove most of the liquid and lean it against a vertical surface to dry.

Plate Lid Definition Files

To distinguish between a microplate and its lid, the BioStack must know the precise dimensions of each. BioTek provides plate lid definition files for the most popular microplate types. You must create your own plate lid definition files for plate types not provided.

Essential Information:

Gen5 defines the plate lid's dimensions in its [Plate Type Database](#) record. The current plate type record always informs the protocol/experiment of the defined dimensions. You may need to add lid dimensions to an existing plate type file or create a new record.

The liquid handlers do not support a plate type database, so the Plate Lid Definition files are stand-alone, i.e., there is no connection between the plate type and the plate lid file.

When running the liquid handlers, be aware that a **copy** of the Plate Lid Definition file is attached to the protocol when it's selected. The copy no longer refers to, nor retains a tie to the selected lid definition file. In other words, if the Plate Lid Definition file is subsequently changed, the changes will not be applied to the copy of the file attached to your protocol. You must edit the protocol and reselect the Plate Lid Definition file to apply any changes.

To create your own Plate Lid Definition file:

LHC	Gen5/Gen5 TS	Touch Screen
Select Tools>Lid Definition .	Select System>Plate Types .	Select Instrument>Next>BioStack and press Lid Definitions .

1. **Open** the lid definition or plate type file that most closely matches your labware.
2. Use calipers to measure your plate and lid dimensions.
3. Overwrite the values in the selected file, retaining the advanced default settings.
4. "**Save as**" the file, giving it a unique name.

Note: Liquid Handlers with Keypads: You must control the instruments using LHC software to process plates with lids.



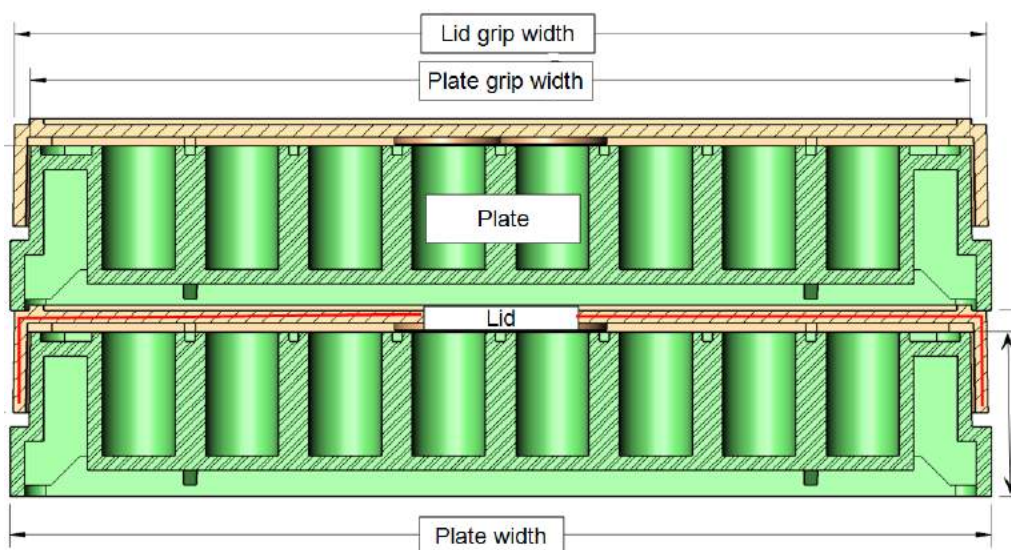
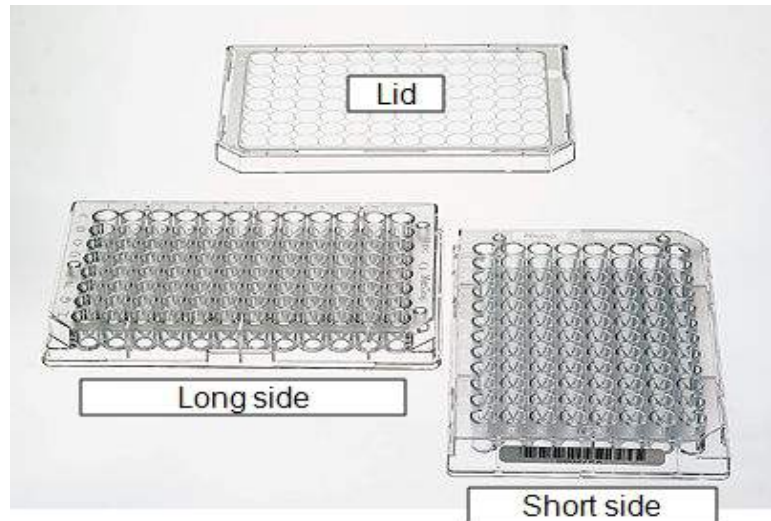
Import Plate Lid Definition files: You can share files with other users or obtain them from BioTek and transfer them to your system. Review instructions provided with your software or instrument.

Microplate Dimensions

- **Plate Width:** short-side width of the plate.
- **Plate Height:** height from base to top.

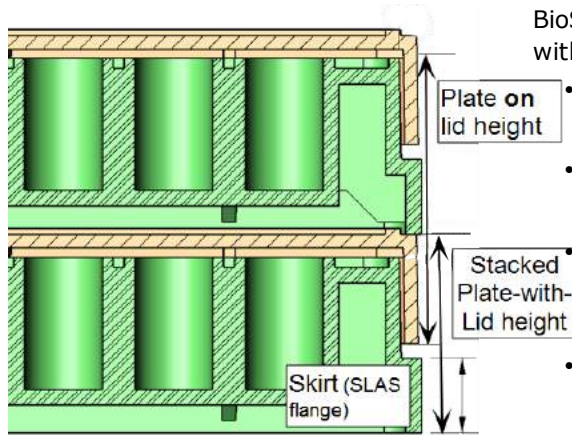
Microplate and Lid Dimensions

Obtain values from the microplate manufacturer's data sheet, when available. Otherwise, use calipers to precisely measure the microplate, its lid, and its stacking properties in μm (microns).



Cross section of two plates with lids stacked (short side, 96-well)

Use the plate height and width values provided by the manufacturer, and any other relevant measurements included in their data sheets. These dimensions are used to calculate the gripper height and finger positions, which are critical to proper operation.

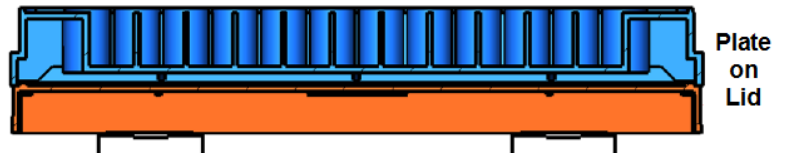


BioStack 4 needs these dimensions to process microplates with lids:

- Measure the height of the skirt on both long and short sides of the plate. SLAS calls the skirt "flange."
- **Lid Grip Width:** short side width measurement (see image above).
- **Plate Grip Width:** short side width measurement; the plate is narrower at its top, where the gripper grabs it, than its bottom, where the skirt widens.
- **Stacked Plate-with-Lid Height:** the span from the bottom of the plate to the bottom of the plate above it when stacked with lids, excluding the protrusions on top of the lid.
- **Plate-on-Lid Height:** during processing the BioStack moves an empty lid and the next plate to be processed together. See below.



Measurements are recorded in μm : microns or micrometers. Add three decimal places to your mm measurements.



Lid Dimensions

- **Long side skirt height:** Height of the plate skirt (or flange) on the long side of the plate (from plate base to top of skirt) at its highest point.
- **Short side skirt height:** Same as above, on the short side.
- **Lid grip width:** The short-side width of the lid; tells the gripper how far to close when gripping a lid.
- **Plate on lid height:** With a plate on top of a lid, the distance from the bottom of the lid to the top of the plate. One step in the process moves the current plate's lid and the next plate together to the carrier.
- **Plate grip width:** width (narrow side) of the plate, measured above the skirt (or flange); tells the gripper how far to close when gripping a plate (as opposed to the under plate grip) a plate.
- **Stacked plate with lid height:** Hold together a stack of plate/lid/plate. Measure base of one plate to the base of the next plate.

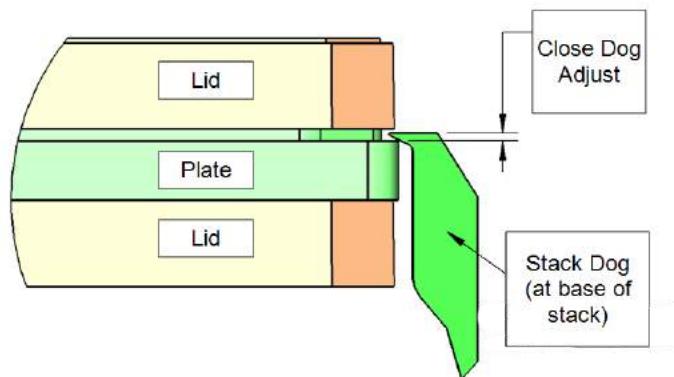
Plate Lid Advanced Dimensions

Typically, the BioStack 4 will smoothly process plates with lids using the default values for these parameters. However, if you experience processing problems, like dropped lids, minor adjustments to these values may restore expected performance.

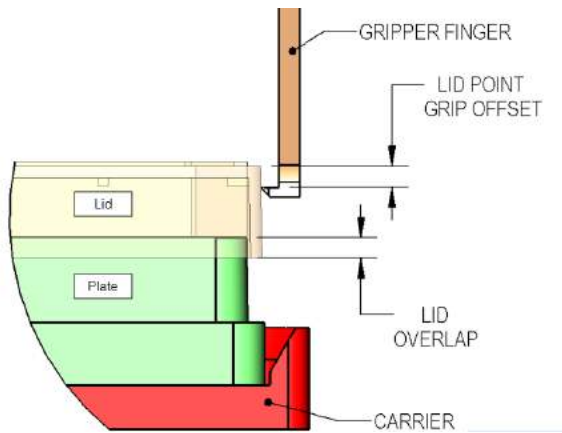
Review these descriptions of the parameters, and select the link to view a graphical image, to help you determine how to modify the values.

- [Close dog adjust](#): When retrieving a plate or plate and lid from the stack, how far above (positive value), or how far below (negative value) the top of the skirt that the dogs will close.
- [Lid point grip offset](#): When gripping a lid, how far below the top of the lid the gripper fingers will contact.
- [Plate point grip over long side skirt](#): When gripping a plate, how far above the long side skirt the gripper fingers will contact; a negative value means the plate will be gripped on the skirt.
- [Point grip release gap](#): When gripping a plate or lid on the sides (as opposed to the under plate grip), how far above the carrier the base of the plate or lid is when releasing it (i.e., how far it will drop).
- [Plate clearance](#): When moving a plate or lid over another plate or lid on the carrier, how much vertical clearance is allowed between the plates or lids.
- [Loose grip offset](#): When using an under-plate grip, just before moving into a carrier, the gripper fingers are separated slightly to allow the plate to adjust horizontally to the carrier it's being placed in. Loose grip offset is how much wider the fingers are compared to the defined plate width.
- [Lid overlap](#): When placing a lid on a plate, how far the lid is overlapped with the top of the plate before switching from a slow to a fast vertical move. If this value is zero, then the entire vertical move is fast.
- [Stay-on lid](#): Identifies qualifying labware, i.e., certain low-density microplates that meet dimension [requirements](#).

Close Dog Adjust



Lid Point Grip and Lid Overlap



Loose Grip Offset

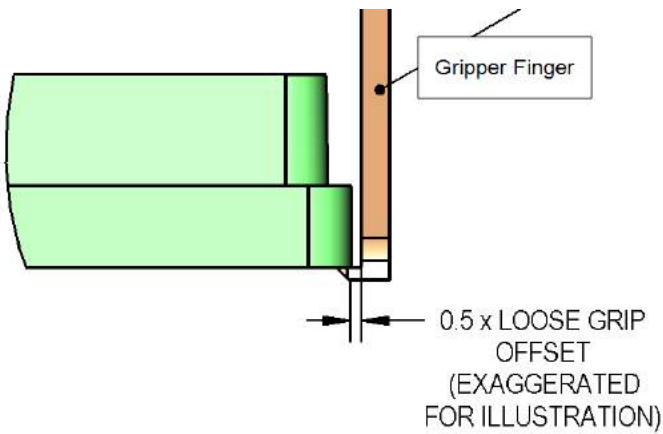
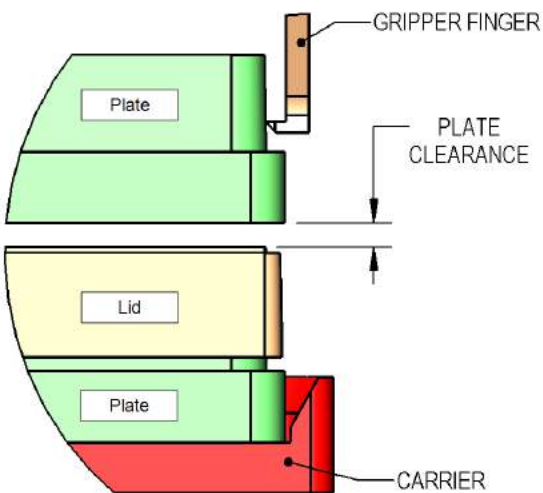
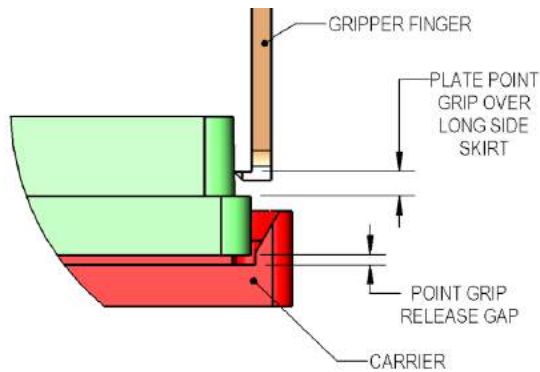


Plate Clearance



Point Grip



Start Up the BioStack

- Always turn on the BioStack before turning on the interfacing instrument.
BIOSTACK2WR: Make sure the gripper can be homed without causing a collision.



Warning! Keep hands away from the BioStack's gripper and plate carrier during power-up.

The BioStack runs its system test when started. The LED on the back shows the status:

- LED flashing indicates an error condition.
- LED not flashing = system test passed.

If the system test fails, turn on the interfacing instrument. Its system test will run.

Liquid Handlers

LHC	Keypad	Touch screen
<ol style="list-style-type: none"> Select Tools>BioStack Utilities. Click Reset BioStack. 	<ol style="list-style-type: none"> Press UTIL>Setup Menu. Select →, BIOSTK > ALIGN > HOME. 	<ol style="list-style-type: none"> At the Home screen, press Instrument. Select Next > BioStack and press Get Basecode Version.

Readers

Gen5/Gen5 TS

- Select **System > Instrument Control** to get the reader's software information.

Precision/XS

BioStack PC Control Software

- Click **Get On-board values now**.

If software information is displayed without error, the BioStack's Checksum Test completed successfully.

If an error code displays, look it up in the Troubleshooting chapter.

- If the System Test fails, the LED status light flashes repeatedly. If this happens, turn off the BioStack. Make sure there is no plate on the carrier, and check for any obstructions. Ensure that all of the shipping hardware has been removed. If you cannot resolve the problem, contact BioTek's Technical Assistance Center for guidance.

Maintenance

Properly maintaining the BioStack is the key to reliable performance.

Overview	60
Recommended Maintenance Schedule	60
Warnings and Precautions	61
Required Materials	61
Routine Cleaning Procedure	63
Decontamination	64
Tools and Supplies	65
Decontaminate the BioStack	65
Cleaning and Lubricating the Linear Ways	66

Overview

Maintenance comprises a set of procedures to be performed regularly to maintain equipment in top condition. During normal operation, debris and dust from plate wear can accumulate on the microplate stacks, carrier surface, and other plate transport components.




Regular maintenance of the BioStack is the responsibility of the user and is required for continuous problem-free operation. Adherence to the **Recommended Maintenance Schedule below** reduces problems caused by dust and debris, maximizes running time, and extends the life of the BioStack.

Recommended Maintenance Schedule

TASK	Frequency			
	Daily/As Needed	Monthly	Every 6 Months	Before Storage or Shipment
Clean plate carrier, stacks, and exposed surfaces	✓			✓
Decontaminate the instrument		✓		✓
Clean and lubricate linear ways			✓	✓

Warnings and Precautions

Please read the following before performing any Maintenance procedures:

	Warning! Internal Voltage. Turn off and unplug the instrument for all maintenance and repair operations.
	Warning! Wear protective gloves when handling contaminated instruments. Gloved hands should be considered contaminated at all times; keep gloved hands away from eyes, mouth, nose, and ears.
	Warning! Mucous membranes are considered prime entry routes for infectious agents. Wear eye protection and a surgical mask when there is a possibility of aerosol contamination. Intact skin is generally considered an effective barrier against infectious organisms; however, small abrasions and cuts may not always be visible. Wear protective gloves when handling contaminated instruments.
	Important! Do not immerse the instrument, spray it with liquid, or use a dripping-wet cloth. Do not allow water or other cleaning solution to run into the interior of the instrument. If this happens, contact BioTek's Technical Assistance Center.
	Caution: The barcode scanner (if equipped) is housed in a protective cover. Do not allow cleaning solution to seep into the narrow opening in the cover, where it may come into contact with the scanner. Do not scratch or damage the mirror during cleaning
	Important: BioTek Instruments, Inc. recommends the use of decontamination solutions and methods based on our knowledge of the instrument and recommendations of the Centers for Disease Control and Prevention (CDC). Neither BioTek nor the CDC assumes any liability for the adequacy of these solutions and methods. Each laboratory must ensure that decontamination procedures are adequate for the biohazard(s) they handle

Required Materials

For routine cleaning and decontaminating:

- Dish soap or other mild cleaner
- Deionized or distilled water
- Clean, lint-free disposable towels

- 70% isopropyl alcohol or ethanol (for decon)
- For barcode scanner: lens cleaning solution and lens tissue.

For cleaning/lubricating the linear ways:

- Grease kit, BioTek PN 7110017 (provided)
- Clean, lint-free disposable towels
- Lint-free swabs or wipes
- Toothbrush
- Instructions for performing the Verify Test (in the instrument-specific installation instructions).

■ Protective gloves, biohazard trash bags, lab coat, safety glasses, surgical mask

■ In the cleaning procedures, when not otherwise specified, “water” means either deionized or distilled water.

Routine Cleaning Procedure

■ Read the **Warnings & Precautions on page 61.**

Perform these steps daily and before storage or shipment to clean the carrier surface and microplate stacks, all other exposed surfaces, and, if applicable, the barcode scanner:

1. **Important:** Turn off the BioStack and disconnect its power supply.
2. Remove the microplate stacks.
3. Wet a clean cotton cloth with water, or with water and mild detergent, and thoroughly wring it out so that liquid does not drip from it.
 - Wipe the inside and outside of the stacks and the plate-stacking pedestal (if used).
 - Wipe the carrier surface, lifts, gripper, wrist, all other exposed surfaces of the BioStack and the aligning hardware.
4. Moisten a cotton swab with water, alcohol, or with water and mild detergent.
 - Clean the gripper fingers.
 - Clean the plate dogs.
5. If the barcode scanner is installed:
 - Ensure that cleaning solution does not seep into the narrow opening in the cover that protects the scanner.
 - Lens cleaning solution and lens tissue may also be used to clean the mirror.
 - Be very careful not to scratch or damage the mirror!
 - Gently wipe the external surface of the scanner assembly, including the scanner's protective cover, mounting bracket, cable, and mirror.
6. If detergent was used, wipe all surfaces with a cloth moistened with water.
7. Use a clean, dry cloth to dry all wet surfaces.
8. Reassemble the instrument.

Decontamination

Any laboratory instrument that has been used for research or clinical analysis is considered a biohazard and requires decontamination prior to handling.

Decontamination minimizes the risk to all who come into contact with the instrument during shipping, handling, and servicing. Decontamination is required by the U.S. Department of Transportation regulations. Persons performing the decontamination process must be familiar with the basic setup and operation of the instrument.

The recommended **frequency for decontamination** is at least monthly, and before storage or shipment.

■ **Important!** BioTek Instruments, Inc. recommends the use of the following decontamination solutions and methods based on our knowledge of the instrument and recommendations of the Centers for Disease Control and Prevention (CDC). Neither BioTek nor the CDC assumes any liability for the adequacy of these solutions and methods. Each laboratory must ensure that decontamination procedures are adequate for the biohazards they handle.



Warning! Internal Voltage. Turn off and unplug the instrument for all decontamination operations.

■ **Do not** immerse the instrument, spray it with liquid, or use a dripping-wet cloth. **Do not allow the cleaning solution to run into the interior of the instrument.** If this happens, contact the BioTek TAC.

■ **Wear prophylactic gloves** when handling contaminated instruments. Gloved hands should be considered contaminated at all times; keep gloved hands away from eyes, mouth, nose, and ears. Eating and drinking while decontaminating instruments is not advised.

■ Mucous membranes are considered prime entry routes for infectious agents. Wear eye protection and a surgical mask when there is a possibility of aerosol contamination. Intact skin is generally considered an effective barrier against infectious organisms; however, small abrasions and cuts may not always be visible. Wear protective gloves when performing the decontamination procedure.

Tools and Supplies

70% isopropyl alcohol (as a bleach alternative)
Deionized or distilled water
Safety glasses
Surgical mask
Protective gloves
Lab coat
Biohazard trash bags
Clean cotton cloths

Decontaminate the BioStack

Perform these steps to decontaminate the carrier surface and microplate stacks, all other exposed surfaces, and, if applicable, the barcode scanner:

1. **Important:** Turn off the BioStack and disconnect its power supply.
2. Remove the microplate stacks.
3. Wet a clean cotton cloth with 70% alcohol, then thoroughly wring it out so that liquid does not drip from it.
4. Wipe the inside and outside of the stacks and the plate-stacking pedestal (if used).
5. Wipe the carrier surface, lifts, gripper, wrist, all other exposed surfaces of the BioStack, and the aligning hardware.
6. If the barcode scanner is installed:
 - Ensure that cleaning solution does not seep into the narrow opening in the cover that protects the scanner.
 - Lens cleaning solution and lens tissue may also be used to clean the mirror.
 - Be very careful not to scratch or damage the mirror!
 - Gently wipe the external surface of the scanner assembly, including the scanner's protective cover, mounting bracket, cable, and mirror.
7. Wait 20 minutes. Moisten a cloth with deionized or distilled water and wipe all surfaces that have been cleaned with the alcohol.
8. Use a clean, dry cloth to dry all wet surfaces.

9. Discard the used gloves and cloths using a biohazard trash bag and an approved biohazard container.
10. Follow the instructions in **Cleaning and Lubricating the Linear Ways below** to lubricate the linear ways to prevent rust from forming.
11. Reassemble the instrument.

Cleaning and Lubricating the Linear Ways

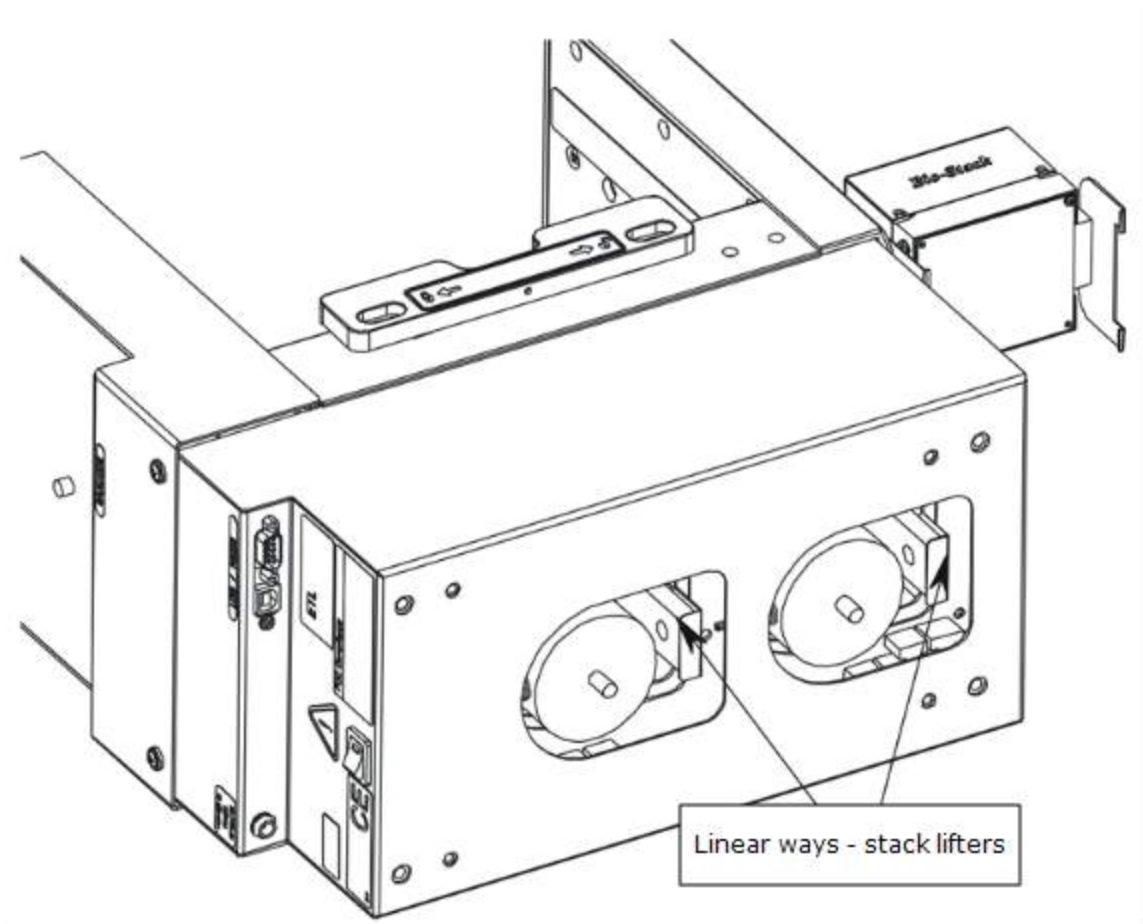
■ Read the **Warnings & Precautions on page 61**.

Note: Do not let the gripper flop around! Before moving the BioStack 3 or BioStack 4, secure the gripper with a rubber band or tape to prevent it from losing its alignment. A complex recalibration is required if it is knocked out of position.

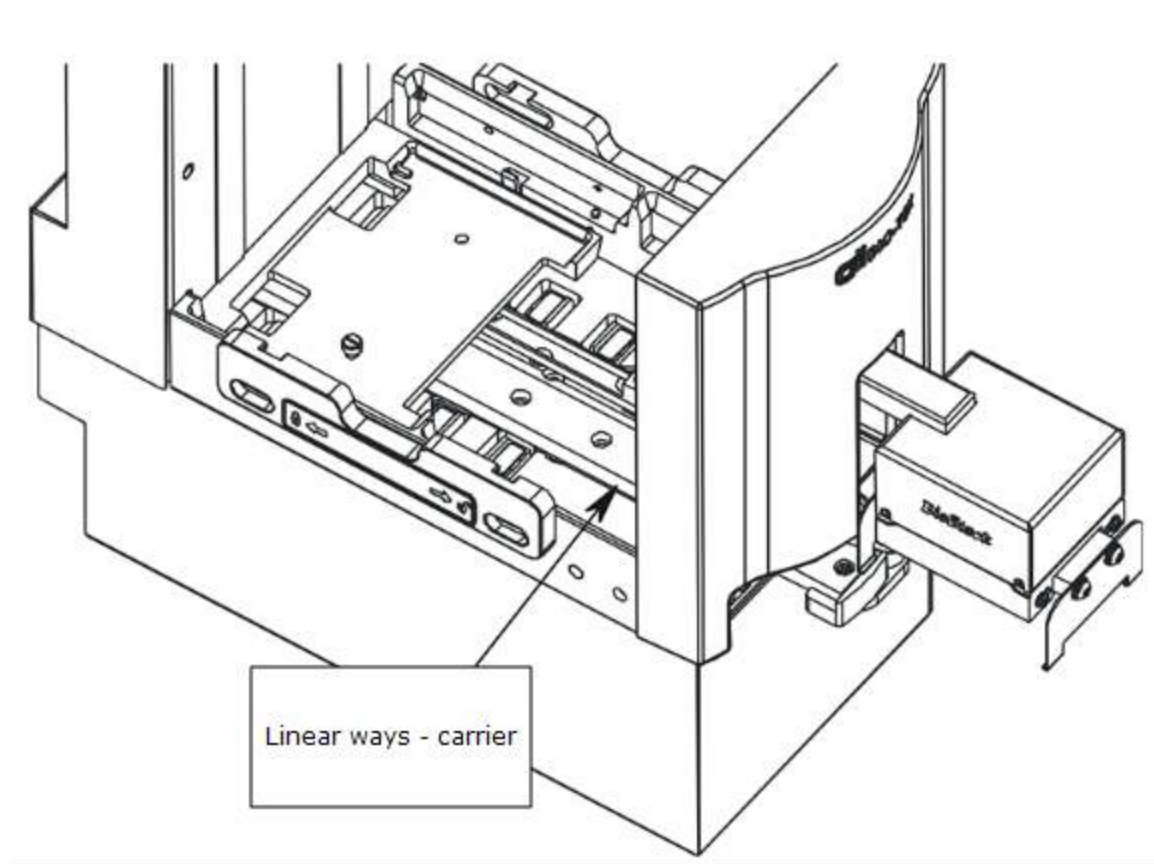
Periodic cleaning and lubrication of the linear ways and screws on the two stack lifters and the plate carrier is necessary to ensure optimum performance of these components during plate transfer.

A grease kit (BioTek PN 7110017) is included in your BioStack package contents. Use a clean towel, rubber gloves, a toothbrush, and lint-free swabs or wipes (moistened with alcohol to assist the process), and the lubricant contained in the kit when performing this procedure.

Perform these steps every six months and before storage or shipment:



1. **Important!** Turn off the BioStack and disconnect the power supply.
2. Gently turn the instrument onto its side so that the bottom of the BioStack is facing you. (If the barcode scanner is installed, turn the BioStack on the side without the scanner.)
3. Using lint-free swabs or wipes, remove old, possibly contaminated grease from the three linear ways.
4. Allow these parts to dry completely.



5. Apply a small amount of new lubricant to all surfaces of the linear ways, spreading thin layers and working the grease into the surfaces with a toothbrush.
 - Ensure that you lubricate the sides of the linear ways, since ball bearings travel on these surfaces.
6. Return the BioStack to its upright position and reconnect its power supply.
7. Turn on the BioStack and run a Verify Test to confirm that moving the BioStack did not compromise its alignment with the interfacing instrument. (Refer to the instrument-specific PDF file.)
 - If the Verify Test passes, the BioStack is ready to resume normal operation.
 - If the Verify Test fails, realign the gripper with the plate carrier using the Alignment Utility and rerun the Verify Test. If the test continues to fail, contact BioTek's Technical Assistance Center.

Qualification

This chapter provides instructions for periodically testing the instrument to verify that it meets performance specifications.

Overview	70
Recommended Qualification Schedule	70
Installation Qualification	72
Operational Qualification Procedure	72

Overview

Qualification of the BioStack involves two activities:

- Qualification of installation and setup (IQ)
- Qualification of routine capability (OQ)

Qualification tasks and tests for the BioStack include installing the BioStack with the interfacing instrument, and running these tests:

- The **System Test** verifies the BioStack's system components, such as the input and output stack lifters, carrier, gripper, and wrist.
- The **Checksum Test** verifies the basecode software of the BioStack or interfacing instrument against internal checksum values to ensure that no corruption has occurred.
- The **Instrument Alignment Utility** aligns the BioStack's gripper with the interfacing instrument's carrier or supply station (Precision/XS).
- The **Verify Test** confirms whether the BioStack's gripper has been properly aligned with the interfacing instrument's carrier or supply station.
- The **Scanner Test** confirms installation of the optional barcode scanner.

■ An instrument qualification package (PN 7310530) for the BioStack is available for purchase. The package contains detailed procedures for performing Installation/Operational Qualification (IQ/OQ) and Preventive Maintenance (PM), and extensive checklists and logbooks for recording data and results. Contact BioTek for more information.

Recommended Qualification Schedule

TASKS/TESTS	IQ	OQ
	Initially	Every 3 months
Set Up the BioStack:		
• Unpack/Inspect the BioStack	✓	
• Check required and optional components	✓	
• Review safety information	✓	
• Select an appropriate location	✓	

TASKS/TESTS	IQ	OQ
• Remove the shipping hardware	✓	
• Install the power supply	✓	
• If applicable: Change Wrist Angle	✓	
• If applicable: Change setting for 50-plate stacks	✓	
Install the BioStack with the interfacing instrument*	✓	
If applicable: Connect the host computer to the instruments, install software, and test communication*	✓	
Run the System Test	✓	✓
Run the Checksum Test	✓	✓
Run the Instrument Alignment Utility**	✓	✓ If Verify Test fails
Run the Verify Test**	✓	✓
If applicable: Install the BioStack barcode scanner and run the Scanner Test‡	✓	

* Refer to the instrument-specific instructions.

** Perform the Instrument Alignment and Verify Test whenever the BioStack is moved from one location to another.

- Performance Qualification (PQ) procedures are not required for the BioStack. Performing chemistry testing on the microplates is not applicable to the BioStack.

‡ **Install the Barcode Scanner on page 94.**

Installation Qualification

Installation Qualification confirms that the BioStack and its components have been supplied as ordered, and ensures that they are assembled and configured properly for your lab environment.

- **See [Recommended Qualification Schedule on page 70](#)** for the recommended IQ tasks and tests.
- Record software information in a copy of the Software Data Sheet provided in the instrument-specific PDF file.
- The IQ procedure should be performed initially (before the BioStack is used for the first time). Some of the IQ steps should be performed again if the instruments are moved from one location to another within the laboratory.
- The successful completion of the IQ verifies that the instruments and their components are installed correctly.

Operational Qualification Procedure

Operational Qualification confirms that the BioStack's onboard software is operating properly and verifies the gripper-to-instrument carrier alignment and to confirm that the optional barcode scanner is operating properly.

- **See [Recommended Qualification Schedule on page 70](#)** for the recommended OQ tasks and tests.
- We recommend performing the OQ procedure every three months and after any major repair or hardware or software upgrade.
- The successful completion of the OQ confirms that the BioStack is operating correctly.

The actual frequency, however, may be adjusted depending on your organization's general guidelines for device validation/verification. Minimally, the OQ procedure should be conducted quarterly and after any major repair or upgrade to the hardware or software.

Troubleshooting & Error Codes

This chapter provides guidelines for error recovery and troubleshooting performance problems.

Troubleshooting	74
Communication Error Codes	74

Troubleshooting

If the microplates are dropping improperly, hanging up, or not being picked up and transferred as expected, here are some methods for correcting problems with non-standard plate types that are not transferring properly:

- **Plate Stacked Height:** when controlling the **BioStack 3** or **BioStack 4** (and not processing lids) with Gen5, LHC or touch screen, define a custom plate stacked height to improve the gripper's position on the plate.
- **Change Setting for Low-Profile Plates on page 89:** change the Plate Height setting.
- **Loosen Plate Carrier Set Screws - BioStack 4 Only on page 90**
- **Adjust the Stack Dogs on page 91:** physically change the gap between the plate dogs.

Communication Error Codes

General Communication Errors

Depending on your configuration, you may see these errors in the Liquid Handling Control software, Gen5 software, BioStack PC Control Software, or Precision Power software.

Communication errors include errors found when sending messages to an instrument, and receiving messages back from an instrument, as well as timer-based errors when waiting for a response.

Communication Errors	
Code	Probable Causes
-1	General failure in talking to instrument driver software. This error indicates that something is not correct with the driver software, or with the communications. Try closing the application and restarting. If this has no effect, try rebooting the PC.
-3	Operation canceled by user. There is a problem with the driver software or with the communications. Try closing the application and restarting. If this has no effect, try rebooting the PC.
-4	Unable to start delay timer associated with waiting for message response from instrument. This error indicates that there may be too many applications using timers on the PC (there are only eight timers available), or the delay timer is already set.

Communication Errors	
	<p>Close the application and try again.</p> <p>Close one or more other applications that may be using timers.</p>
-5	<p>Invalid request.</p> <p>The BioStack is not in the correct mode for handling this request.</p> <p>Restart the BioStack.</p>
-6	<p>Unable to process request.</p> <p>The BioStack is not in the correct mode for handling this request.</p> <p>Restart the BioStack.</p>
-401	<p>Object doesn't exist.</p> <p>This error indicates that the driver software has somehow lost information on the instrument it is trying to communicate with.</p> <p>Restart the application.</p>
-504	<p>Unable to open a serial port.</p> <p>This error indicates that either another application is using the serial port, or the port was opened either by another application or by the BioStack PC Control Software, but was not closed properly.</p> <p>Close the other application.</p> <p>If that doesn't work, close the BioStack PC Control software and restart it.</p> <p>Lastly, reboot the PC.</p>
-505	<p>Unable to write all of the serial data.</p> <p>Try restarting the application.</p>
-506	<p>Timeout while reading in serial data, or incorrect number of serial characters were read in.</p> <p>Check the serial cable connection to ensure it is not loose.</p> <p>Check to see if any other application is very CPU intensive.</p> <p>Try restarting the application.</p>
-507	<p>Checksum error with the serial data read in.</p> <p>Attempt the operation again.</p> <p>Try restarting the application.</p>
-508	<p>When attempting to talk to the instrument, the instrument basecode software returned a NAK, indicating it did not recognize the request.</p> <p>Attempt the operation again.</p> <p>Try restarting the instrument.</p> <p>Try restarting the application.</p>
-509	<p>PC software received back more data than it was expecting.</p> <p>Unlikely to be seen. It is expected that a -506 would be sent instead.</p> <p>Try restarting the application.</p>

Communication Errors	
-510	<p>Invalid message object. This error indicates that either the instrument basecode software or the PC software doesn't recognize the message sent. This is unlikely to be seen, but could possibly happen if the software fell out-of-sync with the characters sent back and forth. Try restarting the application and the instrument.</p>
-511	<p>Invalid message body size. This error indicates that either the instrument basecode software or the PC software received an invalid count of expected characters for a specific message. This is unlikely to be seen, but could possibly happen if the software fell out of sync with the characters sent back and forth. Try restarting the application and the instrument.</p>
-512	<p>Serial message timeout waiting for response from the instrument. Check the instrument to ensure it has powered-up correctly and is in a good operational state (i.e., the light is on, but NOT flashing). Check the cable connections and the cable itself. Try restarting the application.</p>

BioStack Instrument Errors

Depending on your instrument and software configuration, you may see these errors on the instrument's display or in the controlling PC software.

- On instruments with keypads: If a four-digit code is prefixed with B- or "BIOSTACK ERROR" appears, the code was generated by the BioStack. Otherwise, the code was most likely generated by the interfacing instrument; refer to that instrument's operator's manual.
- Precision Power: These errors are usually displayed as text messages, and occasionally as an error code without the text (e.g., 1000 or 0x1000). Refer also to the *Precision/XS Operator's Manual* for a list of BioStack instrument errors.

Code	Probable Causes
020#	Could not find opto sensor. # = sensor; see page 86 for a list of sensor numbers. This error indicates that a sensor was not tripped. Plates sticking because wells are overfilled, causing a jam. Plate not seated properly, causing a jam. Plate stack not installed properly. Shipping block still installed. Plate dimensions are incompatible with BioStack.
020D	Destination lift motor could not find opto sensor. Occurs during

Code	Probable Causes
	autocalibration. Carrier jig installed backward. Oil film on gold-plated jig not allowing contact to be made. Jig connector not making contact or pulled out of connector. Destination stack not installed correctly. Lead screw unglued from motor. Destination lift motor or driver circuit defective. Linear way jam causing motor to lose steps.
0300	One or both Stack Locks are open. Always lock the stacks before operation.
040#	Failed positional verify. # = motor; see page 87 for a list of motor numbers. This error indicates that an axis failed its positional verify test. After moving a predefined number of steps from a home position, the motor should return to the home position in the proper amount of time and steps. If the axis moves back to its home position in the wrong amount of time, or uses too few or too many steps, the test fails. A belt may be slipping due to incorrect tension, a loose motor pulley, or a loose belt clamp. This can also be caused by a defective motor drive circuit. Gripper motor error (0407): If the BioStack2WR is not on, its gripper falls to the fully down position. When the interfacing instrument is powered on and goes through its normal homing sequence, the BioStack gripper gets in the way and causes the attached instrument to error. The solution is to power up the BioStack first and keep the BioStack powered on. If the BioStack is powered off, raise the claw/gripper assembly manually above the interfacing instrument's carrier before powering on. Once its initialization is complete, then power on the interfacing instrument.
040D	Destination lift motor could not find opto sensor. Occurs during autocalibration. Carrier jig installed backwards. Oil film on gold-plated jig not allowing contact to be made. Jig connector not making contact or pulled out of connector. Destination stack not installed correctly. Lead screw unglued from motor. Destination lift motor or driver circuit defective. Linear way jam causing motor to lose steps.
055#	Motor in use error. # = motor; see page 87 for a list of motor numbers. An internal programming error. A command was issued to move a motor that was already in motion. Turn the instrument off/on. If the error persists, contact BioTek TAC.
0600	Calibration data missing. Nonvolatile calibration data may be missing or corrupt. One or more components of the instrument may need to be recalibrated. Turn the instrument off/on, and if the error persists, contact BioTek TAC.
0650	Autocal jig placement error. The autocal jig was installed incorrectly. Position the jig correctly and retry.
0700	Failed interface configuration checksum test. Nonvolatile configuration data associated with the external instrument interface may be missing or corrupt. Turn the instrument off/on. If the error persists, contact BioTek TAC.

Code	Probable Causes
0750	Failed Instrument Dimension structure checksum test. Nonvolatile configuration data associated with the external instrument carrier dimensions may be missing or corrupt. Turn the instrument off/on. If the error persists, contact BioTek TAC.
080#	Motor was not homed successfully. # = motor; see page 87 for a list of motor numbers. This error is usually only seen during the autocalibration sequence. See the probable causes for 020# on the preceding page.
0900	Memory allocation error. Contact BioTek TAC.
1000	Autocalibration data checksum failed at power-up. Nonvolatile calibration data may be missing or corrupted. One or more components on the instrument may need to be recalibrated. Turn the instrument off/on. If the error persists, contact BioTek TAC.
1200	Internal RAM test error. A failure of the internal random access memory was detected during the powerup test. Turn the instrument off/on, and if the error persists, contact BioTek TAC.
1300	Timeout sending or receiving serial data. Cable not connected, or loose. Incorrect cable. Interfacing instrument not set up properly. BioStack may be in an error state. Check for obstructions and turn off/on. Gen5 or controlling software not set up properly.
1303	Serial receive buffer overflow. A communication error—see error 1300.
1304	Serial message checksum. A communication error—see error 1300.
1307	Received request object not supported. A communication error—see error 1300.
1308	Message body size exceeds max limit. A communication error—see error 1300.
1309	Max requests currently running. A communication error—see error 1300.
1501	Internal 5V power supply test error. Check connections to the external power supply. Turn the instrument off/on, and if the error persists, contact BioTek TAC.
1502	External power supply test error. Check connections to the external power supply. Check AC line voltage. Turn the instrument off/on, and if the error persists, contact BioTek TAC.
1600	Failed attempted plate transfer from output stack to input stack. This error indicates that no plate was found on the BioStack carrier after attempted plate retrieval from the output stack. Plate stack not installed properly. Plate dimensions are incompatible with BioStack.

Code	Probable Causes
1601	Failed attempted plate transfer from carrier to input or output stack; started with no plate on carrier. Plate dimensions are incompatible with BioStack. Plates are sticking because wells are overfilled. Plate stack not installed properly.
1602	Failed attempted plate transfer from input stack to BioStack carrier. This error indicates that no plate was found on the carrier after attempted plate retrieval from the input stack. Plate dimensions are incompatible with BioStack. Plates are sticking because wells are overfilled. Plate stack not installed properly.
1700	Failed attempted plate transfer from BioStack carrier to instrument. This error indicates that no plate was found in the gripper after attempted plate retrieval from the carrier. Plates are sticking because wells are overfilled. Plate dimensions are incompatible with the BioStack. Instrument needs calibration.
1701	Failed attempted plate transfer from instrument to output stack. This error indicates that no plate was found in the gripper after an attempted plate retrieval from the instrument. Potential causes include: Plates are sticking because wells are overfilled. Realignment between BioStack and interfacing instrument is needed; run the Instrument Alignment Utility. Plate dimensions are incompatible with the BioStack or incorrectly defined in the software.
1702	Plate missing. Nothing was found on the BioStack's plate carrier when attempting to put a lid on a plate. Potential causes include: incorrect stacking sequence of plates with lids. Inaccurate values in the Plate Type or Plate Lid Definition files. Defective microplate and/or lid, e.g. damaged edge.
1703	Missing lid. A lid was expected but not present. Potential causes include: incorrect stacking sequence of plates with lids. Inaccurate values in the Plate Type or Plate Lid Definition files. Defective microplate and/or lid, e.g. damaged edge.
1704	Plate on Lid error. The BioStack detected a plate-on-a-lid when it expected to find only a lid. Potential causes include: incorrect stacking sequence of plates with lids. Inaccurate values in the Plate Type or Plate Lid Definition files. Defective microplate and/or lid, e.g. damaged edge.
1705	Lid only or plate on a lid expected, but instead found a lidded plate or plate. Potential causes include: incorrect stacking sequence of plates with lids. Inaccurate values in the Plate Type or Plate Lid Definition files. Defective microplate and/or lid, e.g. damaged edge.
1706	Maximum number of plates reached. Restacking stopped because the plate count has exceeded the number of plates that can fit in the stack. Contact BioTek TAC for assistance.

Code	Probable Causes
1707	Missing plate. A plate (without a lid) was expected but not present. Potential causes include: incorrect stacking sequence of plates with lids. Inaccurate values in the Plate Type or Plate Lid Definition files. Defective microplate and/or lid, e.g. damaged edge.
1708	Lids not allowed. You cannot process plates with lids for the selected operation. Contact BioTek TAC for assistance.
1709	Missing lid. A lid was expected but instead a plate-on-plate was detected. Potential causes include: incorrect stacking sequence of plates with lids. Inaccurate values in the Plate Type or Plate Lid Definition files. Defective microplate and/or lid, e.g. damaged edge.
170B	Lid geometry not set. Command to use lids cannot be completed because a lid definition (plate type) file is missing or unselected. Contact BioTek TAC.
180#	The given motor number was not present. # = motor; see page 87 for a list of motor numbers. If the motor number is not in the list, the problem is in whatever is sending commands to the BioStack, otherwise, turn the instrument off/on. If the error persists, contact BioTek TAC.
1900	Plate found in gripper during power-up. Power down the BioStack and remove the plate.
1901	Failed attempted plate transfer from carrier to instrument. This error indicates that a plate was still in the gripper after move. Plates are sticking because wells are overfilled. Plate dimensions are incompatible with the BioStack.
1902	Plate found in gripper during factory burn in test. This error indicates that a plate was in the gripper when it shouldn't be, while running the factory burn in test.
2000	Plate found on carrier during power-up. Power down the BioStack. Lift the stack to a remove the plate from below it, before restarting.
2002	Failed attempted plate transfer from the input stack to the carrier; plate detected on carrier before transfer started.
2003	Failed attempted plate transfer from carrier to input or output stack; plate left on carrier when done. Power down the BioStack and remove the plate. Plate dimensions are incompatible with the BioStack.
210#	Requested motor axis is unknown to the BioStack. # = motor; see page 87 for a list of motor numbers. Turn the instrument off/on. If the error persists, contact BioTek TAC.
220#	The interfacing instrument is unknown to the BioStack. # = instrument; see page 87 for a list of instrument numbers

Code	Probable Causes
2300	Gripper width saved is outside allowed range. Incorrect measurement entered. Incorrect units.
2401	Hardware not present. A dual carrier is not present. An internal code error is likely. Contact BioTek TAC.
2402	Hardware not present. An odd spaced dual carrier is not present. An internal code error is likely. Contact BioTek TAC.
2403	Hardware not present. A wrist is not installed. An internal code error is likely. Contact BioTek TAC.
2404	A barcode reader is not present. See Dip Switch Settings on page 28 and make sure the setting is correct for the barcode scanner. If problems persist, contact BioTek TAC.
2405	Alternative wrist position is not selected. See Wrist Angle Setting Requirements on page 26 and make sure the dip switch setting for wrist angle matches your instrument requirement. Contact BioTek TAC if problems persist.
2600	A gripper interface dimension is out-of-range at power up. Rerun the Instrument Alignment Utility to clear the error.
2601	The instrument's gripper release position is invalid. Contact BioTek TAC.
2602	The instrument's gripper clear position is invalid. Contact BioTek TAC.
2603	The instrument's gripper grip position is invalid. Contact BioTek TAC.
2700	Error attempting to run the barcode scanner SET command. A response returned from the scanner is invalid.
2701	A response from the barcode scanner while attempting the SET command does not contain a valid barcode location. Valid numbers are 0–3.
2702	The barcode type returned by the scanner is not one of the four types supported by the scanner. See Preparing and Attaching Barcode Labels on page 99 for required barcode types.
2703	Barcode type is not supported. One of the four default barcode types is not supported by the scanner. See Preparing and Attaching Barcode Labels on page 99 for required barcode types.
2704	Error disabling start/stop character transmission. While attempting to tell the scanner to disable the transmission of start and stop characters along with the barcode value for the Codeabar barcode type, an error occurred.
2800	Out of range error. An attempt was made to set a configuration parameter, using an out-of-range value.

Code	Probable Causes
2900	Invalid combination error. An invalid combination of parameters associated with carrier trays and stacks was attempted. An internal code error is likely. Contact BioTek TAC.
2A0#	Dip switch SW1-4 is in the wrong position. See Dip Switch Settings on page 28.
2C# #	Plate Lid Definition exceeds limits. Applies only when processing plates with lids. See Plate Lid Definition Errors below.
A100/AE#0	Task has been deleted because of an error; fatal. Internal code malfunction. Contact BioTek TAC.
A30#	Fatal error. Internal code malfunction. The given motor number was not available. # = motor; see page 87 for a list of motor numbers. Contact BioTek TAC.
AE8#	The motor profile resolution is invalid for phase correction. # = motor; see page 87 for a list of motor numbers. Contact BioTek TAC.

Plate Lid Definition Errors

When processing microplates with lids, correct the input values for the offending parameter in the [Plate Lid Definition](#) file when one of these error codes is displayed. See the legend below for referenced values.

Code	Description
2C01	Plate Height < MIN_HEIGHT or > MAX_HEIGHT
2C02	Long Side Skirt Height >= Plate Height or < MIN_SKIRT
2C03	Short Side Skirt Height >= Plate Height or < MIN_SKIRT
2C04	Lid Grip Width < MIN_GRIP_WIDTH or > MAX_GRIP_WIDTH

Code	Description
2C05	Plate on Lid Height < MIN_HEIGHT or > MAX_HEIGHT*
2C06	Plate Width < MIN_WIDTH or > MAX_WIDTH
2C07	Plate Grip Width < MIN_GRIP_WIDTH or > MAX_GRIP_WIDTH*
2C08	Stacked Plate with Lid Height < MIN_HEIGHT or > MAX_HEIGHT
2C09	Close Dog Adjust < (-1 * Short Side Skirt Height) or > (Stacked Plate with Lid Height - Plate on Lid Height + Plate Height - Short Side Skirt Height)
2C0A	Lid Point Grip Offset > Lid Height
2C0B	Plate Point Grip Over Long Side Skirt > (Plate Height - Long Side Skirt Height) or < (1.00mm - Long Side Skirt Height)*
2C0C	Point Grip Release Gap > 10.00mm
2C0D	Plate Clearance >

Code	Description
	10.00mm
2C0E	Loose Grip Offset > 1.00mm
2C0F	Lid Overlap > 10.00mm
2C30	Position Calc - Insufficient claw height for plate & lid at claw position 7*
2C31	Position Calc - Insufficient plate width for gripper in carry position to sense presence
2C32	Position Calc - Insufficient plate point grip width for gripper to sense presence*
2C33	Position Calc - Insufficient lid point grip width for gripper to sense presence
2C34	Position Calc - The gripper sense position is more negative than the carry position
2C35	Position Calc - (Plate-On-Lid Height - Plate Height - 2.0) < Lid Point Grip Offset
2C40	Mixed Store and Queue function - lift height less

Code	Description
	than carrier clear height
2C41	Mixed Store and Park function - lift height less than carrier clear height

* Does not apply to Stay-on Lid mode.

These are the basecode limits for the plate geometry parameters. The BioStack's Specifications are typically tighter to prevent errors:

MAX_HEIGHT	24.00 mm
MIN_HEIGHT	5.00 mm
MAX_WIDTH	87.0 mm
MIN_WIDTH	84.30 mm
MAX_GRIP_WIDTH	86.30 mm
MIN_GRIP_WIDTH	80.80 mm
MIN_SKIRT	1.00 mm

Washer or Dispenser Communication Error Codes

The error codes listed below may appear on the display of washers and dispensers during operation with the BioStack.

- On instruments with keypads: If a four-digit code is prefixed with B- or "BIOSTACK ERROR" appears, the code was generated by the BioStack. Otherwise, the code was most likely generated by the interfacing instrument; refer to that instrument's operator's manual.

Code	Probable Cause
8300	An invalid password was sent to the BioStack during a protected operation. This error can only occur when the BioStack is under serial control, using a software program other than the BioStack PC Control Software.
8301	The BioStack was requested to send some configuration data to the controlling software, and the BioStack did not know about the requested data.
8302	A checksum was generated following a code download, which did not match what

Code	Probable Cause
	was expected. Turn the interfacing instrument off/on, and re-try the operation. If the error persists, contact BioTek TAC.
8303	The BioStack is in an invalid mode for receiving a message. Turn the interfacing instrument off/on, check cabling, and re-try the operation.
8304	The BioStack did not properly acknowledge a message sent to it. Make sure the BioStack is turned on and the communication cables are connected. Turn the interfacing instrument off/on, and re-try the operation.
8305	An invalid message response was received from the BioStack. Turn the interfacing instrument off/on, and re-try the operation.
8306	The serial communications timed out. Turn the interfacing instrument off/on, and re-try the operation.
8307	External software attempted to communicate with the BioStack when BioStack is not in receiving mode. Contact BioTek TAC.
8999	Message object not supported. Problem may be caused by mismatched versions of software. Make sure both the BioStack, the interfacing instrument and/or PC have required software installed.

BioStack Sensor Numbers

Sensor	Number
Z-Axis (Claw) Home	0
Output Stack Cam1 Home	1
Output Stack Lift Home	2
Input Stack Cam1 Home	3
Input Stack Lift Home	4
Input Stack Cam2 Home	5
Output Stack Cam2 Home	6
Gripper Home	7
Carrier Home	8
Autocalibration	9
Plate Present	A

Sensor	Number
Carrier Out	B
Input Stack Lift Up	C
Output Stack Lift Up	D
Wrist Home	E

BioStack Motor Numbers

Motor	Number
Z-Axis (Claw)	0
Output Stack Cam1	1
Output Stack Lift	2
Input Stack Cam1	3
Input Stack Lift	4
Input Stack Cam2	5
Output Stack Cam2	6
Gripper	7
Carrier	8
Wrist	9

Interfacing Instrument Numbers

Instrument	Number
Any PowerWave, Eon, EpochR; NanoQuot	0
Any Synergy reader except Neo and Neo 2; Cytation 3 and 5	1
ELx405, EL406, MultiFlo/FX, 405 TS/LS	2
MicroFill, MicroFlo Select	3
Reserved for specific customer	4
Precision/XS	5
Custom instrument	6

Instrument	Number
Custom instrument	7
Custom instrument	8
Synergy Neo and Synergy Neo2	9

Plate Stacked Height

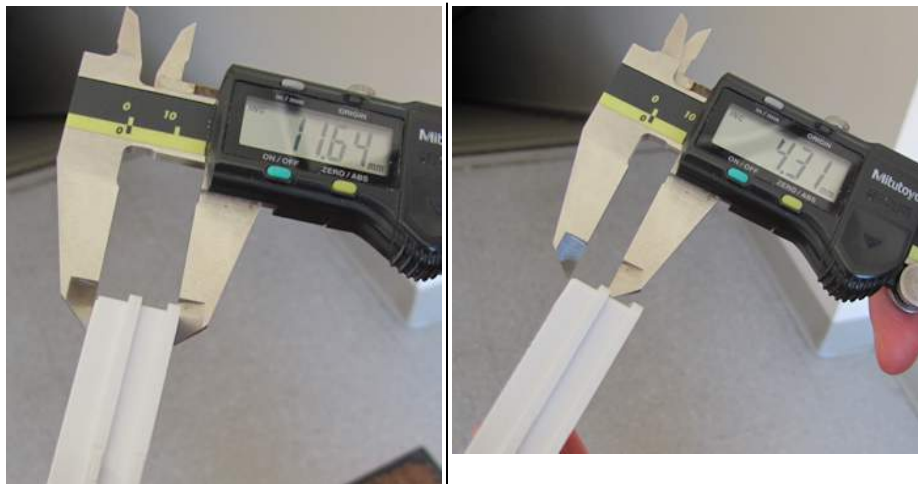
■ **Not supported** in **BIOSTACK2WR** and when processing plates with lids.

Note: Only offered for computer control and touch screen instruments: you must be controlling the BioStack with Gen5, LHC, or a touch screen instrument to take advantage of this option.

For non-standard microplates, the [Plate Stacked Height](#) setting tells the BioStack where to grip the plates to prevent transferring more than one plate at a time. Use the setting to fine-tune performance for both low-profile and tall plates.

Determine the Plate Stacked Height

Tools: Preferably calipers; otherwise, a ruler or other measuring device.

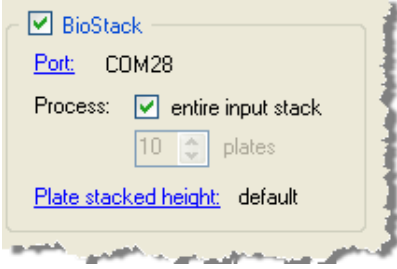



Measure 2 plates stacked together

Measure height of top plate only

1. Hold two plates nested together as they will sit in the stack, and measure their height.
2. Then, measure the top plate by itself.
3. Subtract the measurements to determine the "plate stacked height" to enter.

Apply the Plate Stacked Height Value

LHC	Touch screen	Gen5/Gen5 TS
	 <p>Only available at runtime. Select the Run Info tab before starting a protocol.</p>	<p>Select System > Plate Types and select the database record for the plate type you are using.</p>
<p>Apply the plate stacked height setting in the BioStack control in the main view. Click the link to specify a height value.</p>	<p>Apply the plate stacked height setting: select the checkbox to use the default setting or touch the number field to enter a height value.</p>	<p>Add the plate stacked height value to the Plate Type file.</p>

Control Method Limitations:

- When controlled with Gen5 or LHC, the BioStack supports plates having a stacked height at least 4.50 mm greater than the plate skirt height. The stacked height value may range from 5.00 mm to 21.00 mm (1 mm less than the maximum plate height due to the base recess), but acceptance of this value shall not ensure proper operation.
- When controlled by the instrument, i.e., not controlled with Gen5 or LHC, and the plate height dip switch is closed, or standard default setting, the BioStack supports plates having a stacked height greater than 10.16 mm and a skirt height less than 5.66 mm.
- When controlled by the instrument and the plate height dip switch is open, i.e., set to "Low Volume," the BioStack supports plates having a stacked height greater than 8.89 mm and a skirt height less than 4.39 mm.

Change Setting for Low-Profile Plates

To prevent transfer errors when using low-profile, half-height and other shorter-than-standard plate types, change the dip switch setting. This changes the BioStack's behavior to better grip the plates.

 See **Dip Switch Settings on page 28** for photos and more information.

1. Turn off the BioStack.
2. Two plugs on the rear wall of the instrument cover two sets of dip switches. Remove plug #2, the plug on the right when viewing the instrument from the rear.

3. Using a pencil tip, push **SW-1** switch #1 (the left-most dip switch) to its **Open** position, away from the instrument.
4. Replace the plug.

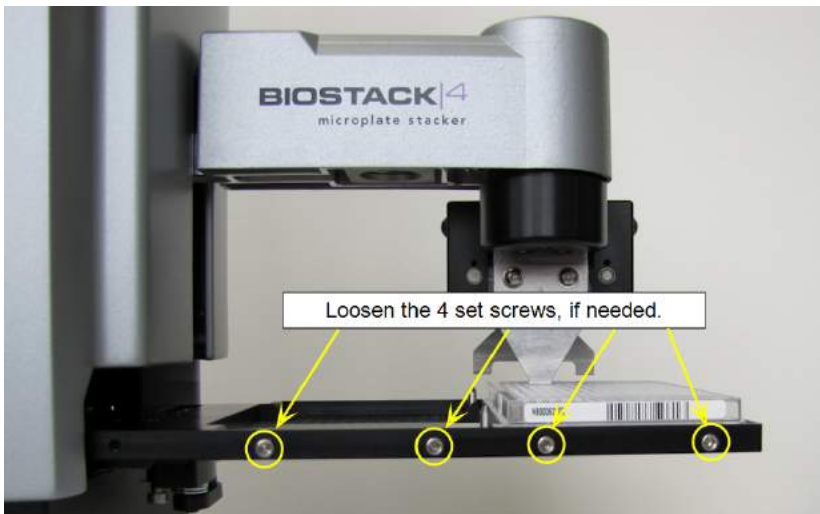
See also Plate Stacked Height on page 88

Loosen Plate Carrier Set Screws - BioStack 4 Only

■ **Caution:** This is a delicate procedure, best performed by a technical expert. Consider [contacting BioTek TAC](#) to let the professionals resolve your performance problems.

If your microplates are not transferring properly, first **Test Plates for Compatibility—BioStack 4 Only on page 30**. If the plates sit too snugly in the carrier, loosening the set screws on the side of the carrier may resolve the problem.

Tools: 1/8" Allen (hex) wrench



BioStack 4 plate carrier exposed to access 4 set screws

1. Turn off and unplug the BioStack, if necessary.
2. Expose the BioStack's plate carrier: slip your hand inside the front of the BioStack under the gripper, feel for the outer edge of the plate carrier, and gently pull it out.
3. Use the 1/8" hex or Allen wrench to slightly loosen the screws until the plate is free to move a bit from side to side. Each carrier position has two screws: try to apply the same offset to both screws, as precisely as possible.

Adjust the Stack Dogs

■ **Caution:** This is a delicate procedure, best performed by a technical expert. Consider [contacting BioTek TAC](#) to let the professionals resolve your performance problems.

💡 [Stack Weights](#) may eliminate performance problems! Try using this accessory before adjusting the stack dogs, if possible.

If your non-standard-sized microplates are not transferring properly, adjusting the stack dogs may be the solution. Improved performance has been seen with this method when using plates that are slightly longer than Corning 96-well plates.

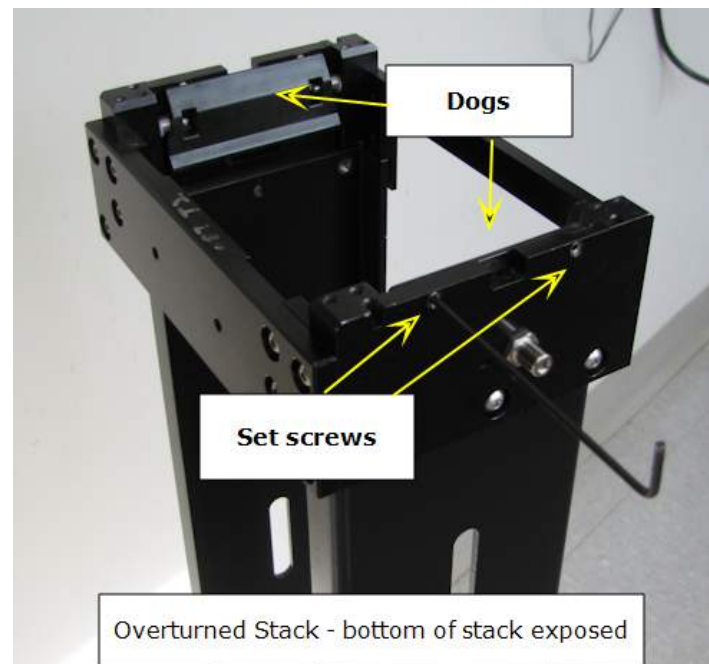
This procedure repositions the stack dogs at the bottom of the stack to loosen the grip on the microplates, improving performance.

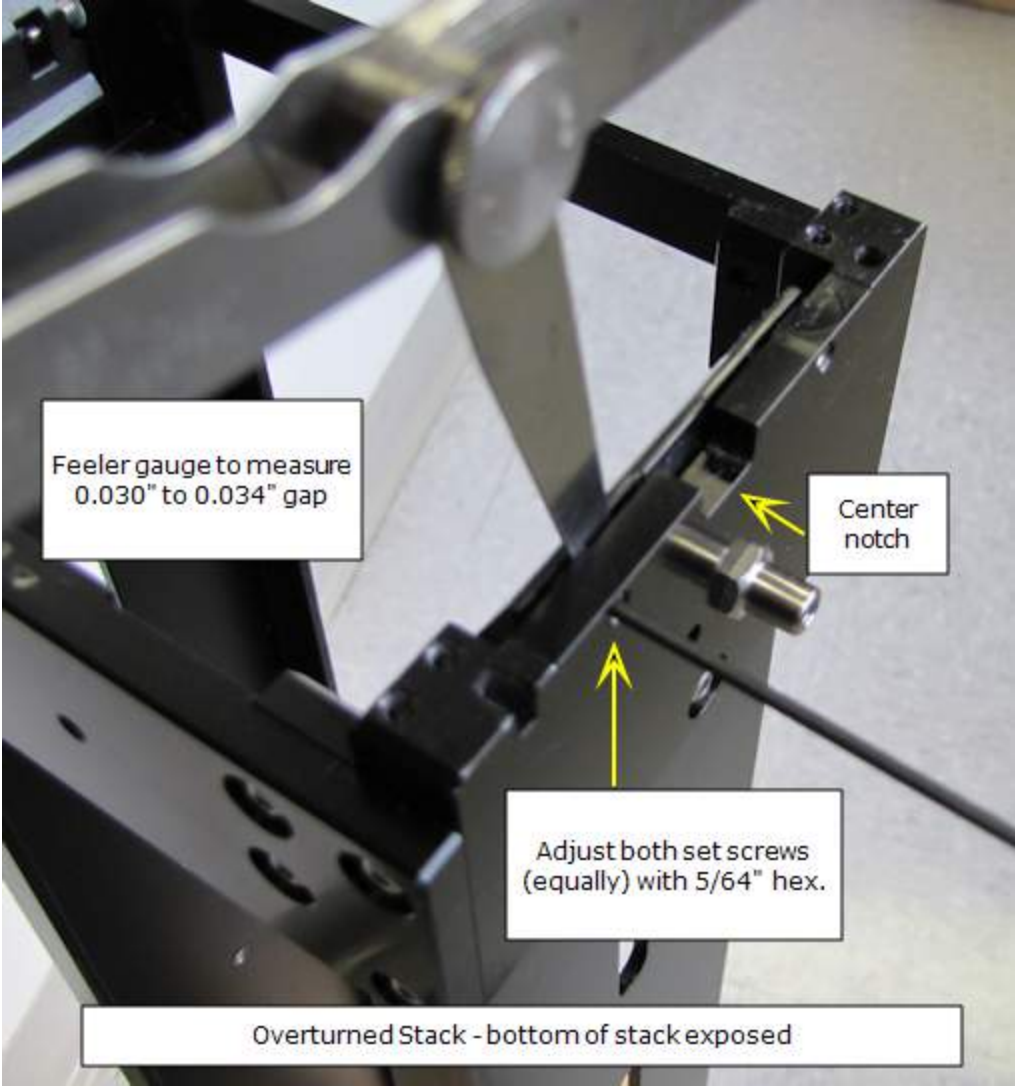
Tools: You will need a 5/64" (2.0 mm) hex (Allen) wrench and set of feeler gauges to perform this adjustment.

Perform this procedure on both input and output stacks.

1. Turn an empty stack upside down and set on a flat, solid surface.
2. Identify the two stack dogs and four set screws to be adjusted.
3. Slide a .030" to .034" feeler gauge between the dog and stack wall in the space between the set screw and center notch.
4. When the desired gap is achieved, tighten both set screws. Measure the gap on both sides of the center notch after tightening each one to make sure they are identical.
5. Apply the same size gap to the other dog.

■ Be as precise as possible when performing this procedure: apply the same size gap all around.





Adjusting the Stack Dog

Install the Barcode Scanner


This section provides guidelines for installing and using the barcode scanner.

Barcode Scanner Overview	94
Install the Barcode Scanner	94
Preparing and Attaching Barcode Labels	99
Scanner Test with Readers	101
Scanner Test with Precision/XS	103

Barcode Scanner Overview

The scanner reads the barcode label when it delivers the plate to instrument. When a valid barcode is read, the value is displayed in the supporting software, e.g., passed to Gen5 for storage in the Gen5 experiment file. Barcode scanner options are also available in Precision Power Software through the Supply Command and To-Do List features.

LASER RADIATION	
DO NOT STARE INTO BEAM	
Maximum output	1.5mW
Wavelength	650nm
Pulse duration	65µs
CLASS 2 LASER PRODUCT	
IEC/EN 60825-1 A2 : 2001	



Warning! Laser Radiation. Do not look directly into the laser beam during operation of the scanner. Serious eye injury may occur if you stare directly into the beam. Please note the warning label on the outside of the scanner's protective cover.

- Not compatible with Synergy Neo and Synergy Neo 2, which use their own barcode scanner.

Kit Contents

BioTek PN 7310017 contains:

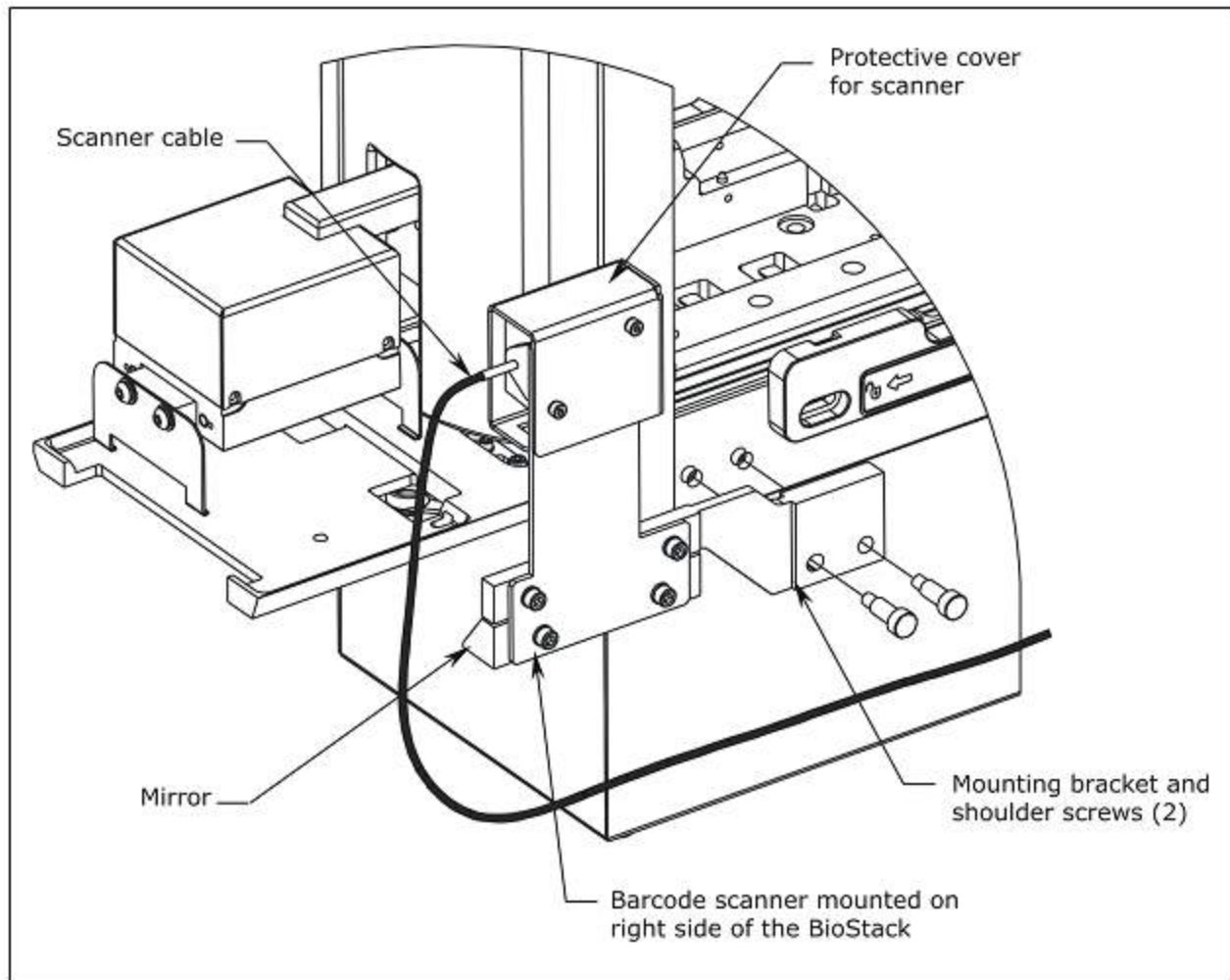
- Barcode scanner assembly: scanner (housed in a protective cover), scanner cable, and mirror attached to a removable mounting bracket
- 2 shoulder screws and washers for attaching the mounting bracket to the BioStack
- Cable duct and cable clip for fastening the cable to the BioStack
- Combination Phillips-head/flat-head screwdriver

Install the Barcode Scanner

- Be very careful not to scratch or damage the mirror when unpacking or installing the barcode scanner!

After installing the BioStack with its interfacing instrument, attach the barcode scanner to the complementary side of the BioStack. Generally, this can be determined by the wrist angle setting:

With this wrist angle setting:	Install the barcode scanner on this side of the BioStack when facing it:
+90° or 90°	right side
0°	either side
-90°	left side

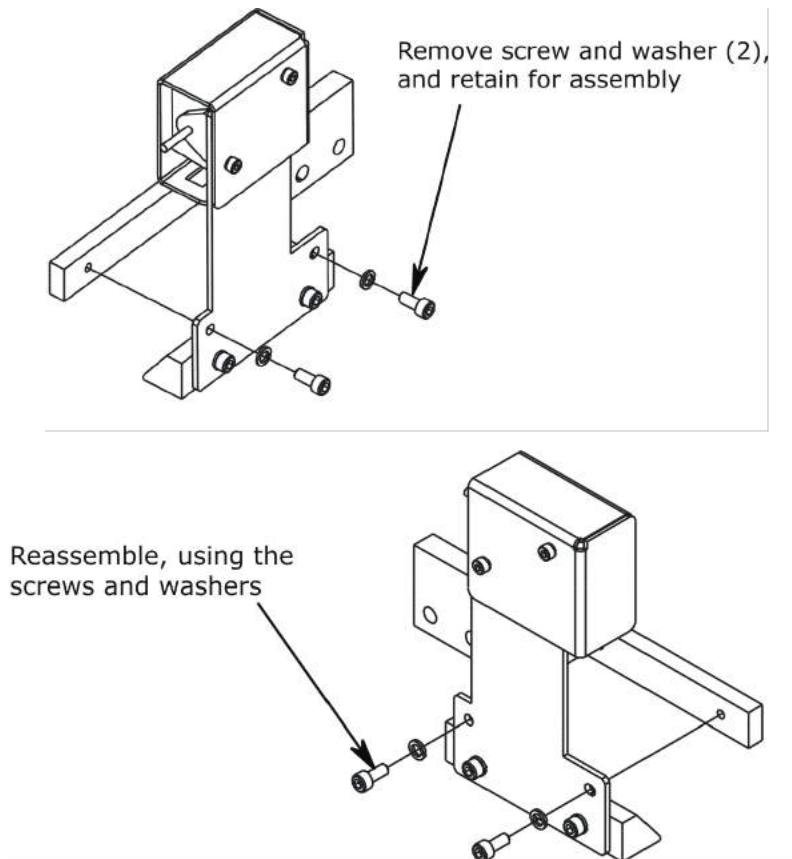


Right-Side Installation

1. Align the two holes in the mounting bracket with the two holes on the right side of the BioStack.
2. Using the screwdriver and the two shoulder screws, attach the scanner to the BioStack.
3. Using lens tissue or a soft cloth moistened with lens cleaner, carefully wipe the mirror to remove any dust or particles.
4. To complete the installation [See Install the Scanner Cable Duct on page 97.](#)

Left-Side Installation

1. Using the supplied screwdriver, remove the two screws and washers that attach the scanner assembly to the mounting bracket, as shown below, and set them aside.
2. Using a 9/64" hex wrench, remove the scanner from the bracket. Be very careful not to scratch or damage the mirror.
3. Position the scanner on the opposite side of the bracket and align the mounting holes.
4. Reassemble, using the two screws and washers and a 9/64" hex wrench.



5. Align the two holes in the scanner mounting bracket with the two holes on the left side of the BioStack.
6. Using the two shoulder screws, attach the scanner to the BioStack.
7. Using lens tissue or a soft cloth moistened with lens cleaner, carefully wipe the mirror to remove any dust or particles.
8. To complete the installation [See Install the Scanner Cable Duct on the facing page.](#)

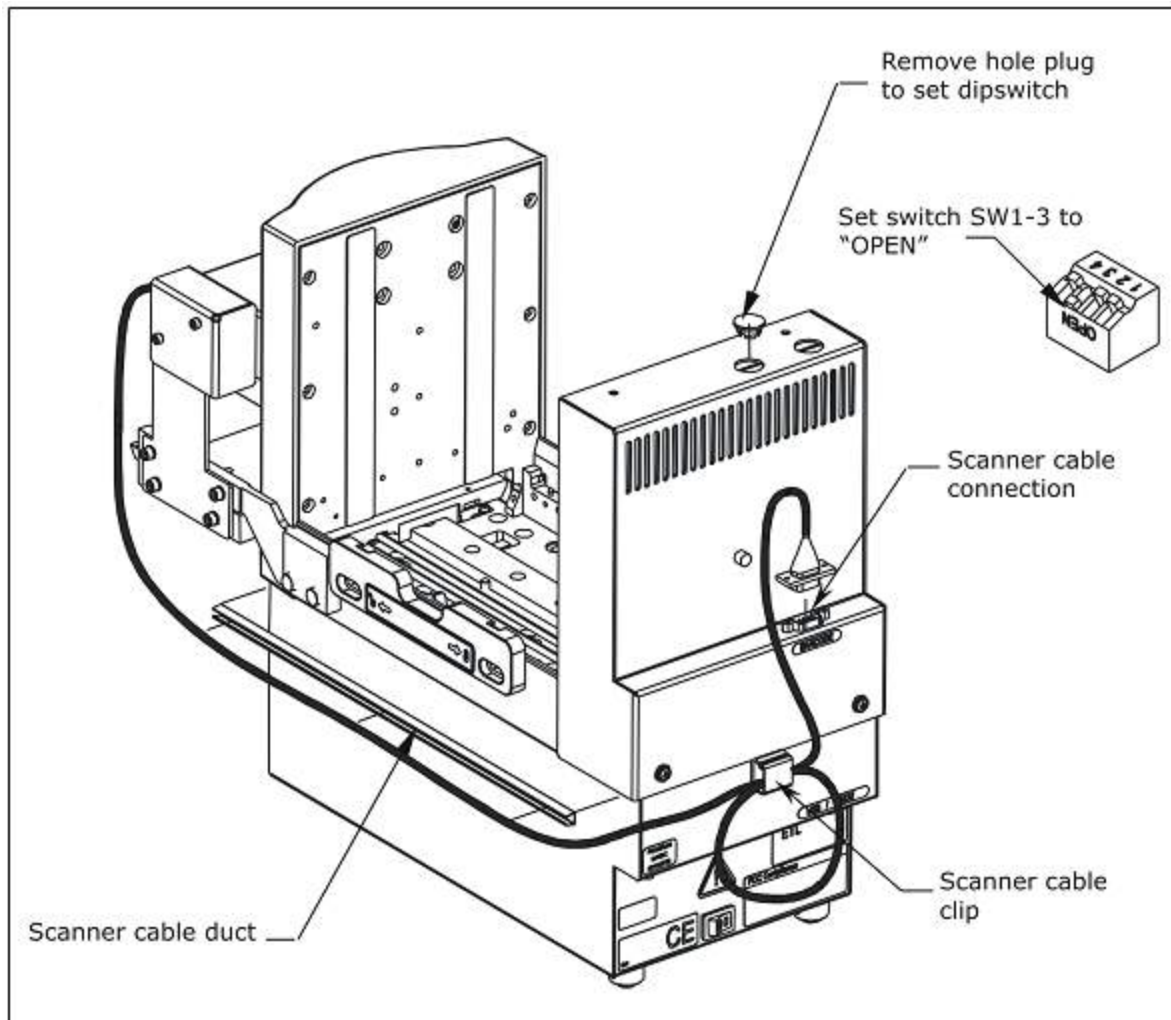
Change Dip Switch Setting for Barcode Scanner

Tell the BioStack it has a barcode scanner by changing its dip switch setting.

 See **Dip Switch Settings on page 28** for photos and more information.

1. Turn off the BioStack.
2. Two plugs on the rear wall of the instrument cover two sets of dip switches. Remove plug #1, the plug on the left when viewing the instrument from the rear.
3. Using a pencil tip, push **Switch 1** switch #3 (**SW-1-3**) to its **Open** position, away from the instrument.
4. Replace the plug.

Install the Scanner Cable Duct



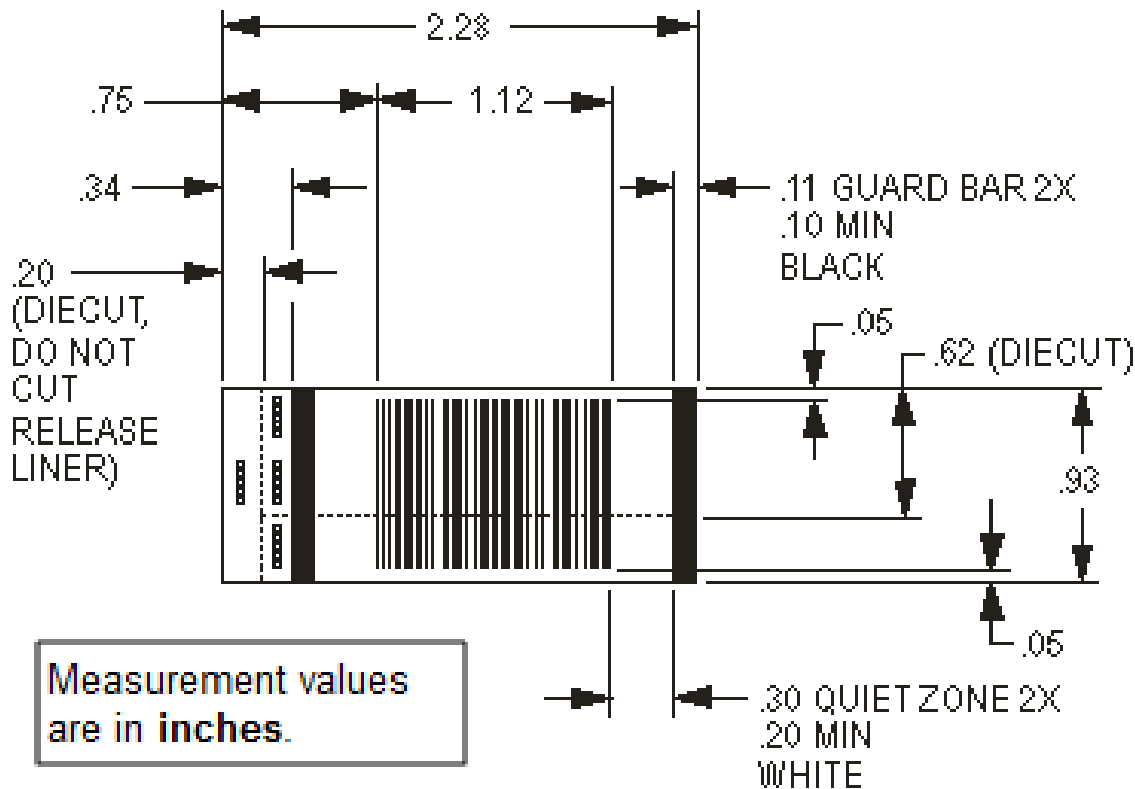
1. If you have not already done so, turn off and unplug the BioStack.
2. Using a clean, cotton cloth moistened with alcohol, clean the side of the BioStack where the scanner cable duct will be adhered.
3. Remove the adhesive backing from the duct. Attach the duct to the same side of the BioStack as the scanner's mounting bracket, and center the duct front to back. Push the scanner cable into the duct.
4. Remove the adhesive backing on the scanner cable clip and attach the clip to the back panel of the BioStack. Loop the excess cable into the clip, and plug the cable into the scanner cable connection on the back panel of the BioStack.
5. Plug in and turn on the BioStack.

Preparing and Attaching Barcode Labels

- **Important:** Factory- or pre-applied labels are strongly recommended. Barcode labels must be new or in excellent condition, properly adhered, and of standard thickness. Otherwise they may interfere with smooth plate transfers.

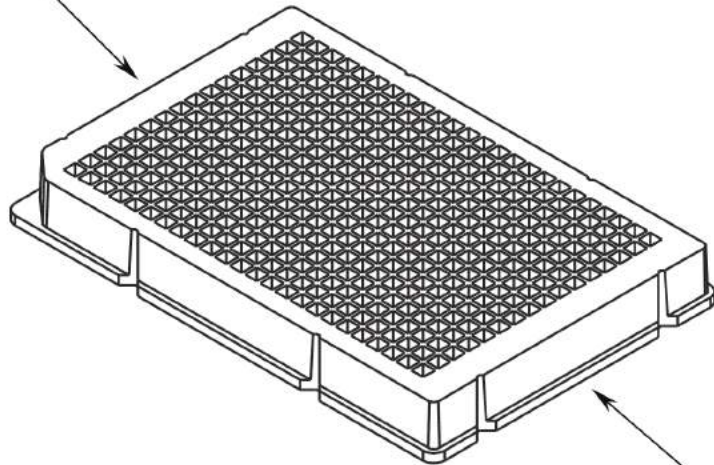
Barcode labels are widely available for purchase, or they may be created using barcode software and label products:

- **Label format (“symbology”):** Required formats are: Code 39, Codeabar, UPC/EAN, Code 128.
- **Industry Standards:** Make the labels in accordance with Automation Identification Manufacturers (AIM) uniform symbol specifications. Comply with ANSI Specification X2, 182-199 “Bar-Code Print Quality Guideline.”
- **Label height:** The barcode readable height shall be 7.0 to 12.5 mm from the bottom of the plate, as placed on the BioStack’s carrier.
- **Label quality:** Print the labels on high-quality printers.
- **Label position on plate:** Attach the labels to the “short” sides of the microplates. Do not let the labels extend above or below the edges of the plate. Overhanging labels can cause the plates stick to one another when they are stacked.



Barcode label artwork: the barcode label artwork above may be submitted to a print vendor for creating labels that meet the code symbology and industry standards.

Attach the label to the short side of the microplate




Attach the label to the short side of the microplate

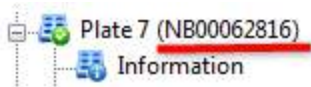
Attach the barcode labels to the short side of the microplate. Take into account the position of well A1 and which side of the BioStack the scanner is installed on, to ensure the label will be read. The plate is scanned when it is delivered to the interfacing instrument.

Scanner Test with Readers


Test the scanner after installation and before using it to capture assay data.

■ These instructions apply to BioStack operation with a reader. If you are using a Precision/XS: [See Scanner Test with Precision/XS on page 103.](#)

1. Gather these materials:
 - Barcode labels that meet label requirements.
 - Three clean/dry microplates that meet plate specifications.
2. Place the labels on the “short” sides of the microplates to be scanned. The labels should not extend above or below the edges of the plate.
3. Load the plates into the input stack.
4. In Gen5, create an experiment for the appropriate Plate Type with a simple Read step (absorbance, endpoint).
5. Click  and specify "Read plate barcodes."
6. As the plates are transferred between the BioStack and the reader, watch for the code to be displayed next to the Plate #:



- Open the **Information** panel to verify the **Barcode** field shows the same code.

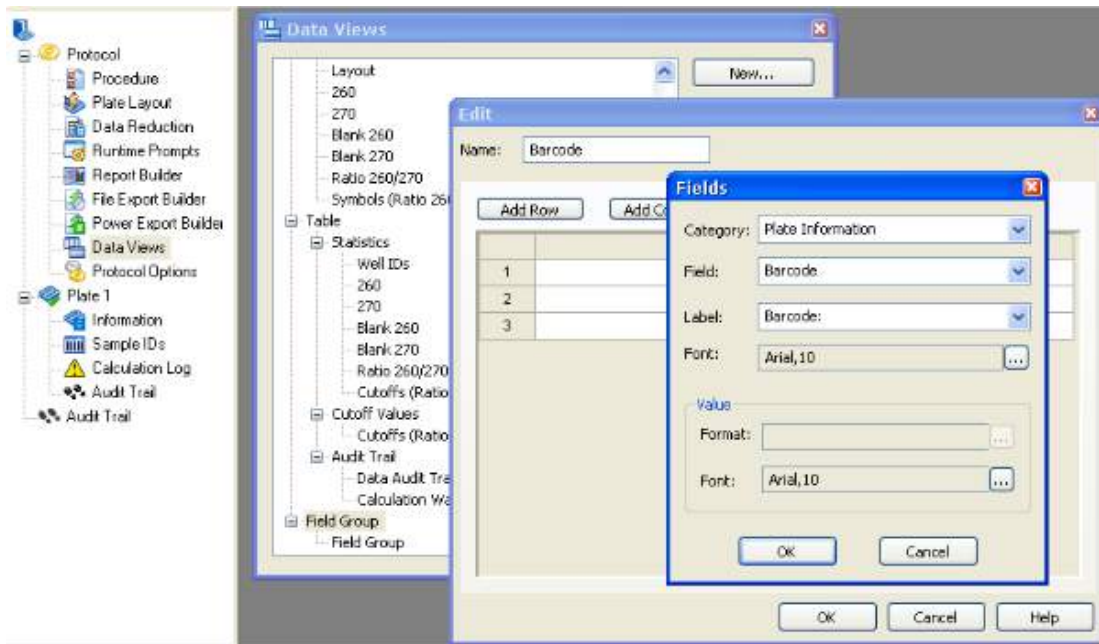
 **Plate 12 (Scan Failed)** If a scanning failure occurs, Gen5 notes the failure where the code would be, continues processing plates, and displays a warning message at the end of the run with details about the plates with barcodes that were not successfully read. You can manually enter the barcode, if desired, in the Information panel. Make sure all labels meet the requirements for format and placement on the plate: **Preparing and Attaching Barcode Labels on page 99.**

To Report Barcodes with Reader Results

Configure a Gen5 protocol to include the plate’s scanned barcode label in reports and export files:

- In Gen5, open the Data Views dialog (Protocol > Data Views) and highlight **Field Group** in the tree.
- Click **New** and enter a Name, such as "Barcode".
- Click on a cell in the table and then click the **...** button.

- Set **Category** to **Plate Information** and **Field** to **Barcode**.
- When creating a report or export template, include this data view.



Scanner Test with Precision/XS

We recommend that you test the scanner after installation.

1. Gather these materials:
 - Barcode labels that meet label requirements and dimensions.
 - Three clean/dry microplates that meet plate specifications for the BioStack and the Precision and have flat, vertical sidewalls to contain the labels.
2. Place the labels on the “short” side of the microplates that will be scanned. The labels should not extend above or below the edges of the plate.
3. Write down the barcode ID for each plate.
4. Load the plates into the output stack.
5. Create Plate Maps in Precision Power:
 - Click the **Unprocessed Maps** icon on the toolbar and then click the **Add** button.
 - In the Add Plate/Rack Map dialog:
 - At the Plate/Rack ID field, type the barcode number of the first plate that you loaded into the output stack.
 - Select a Vessel Specification File (from the pull-down menu) that is compatible with the plates you are using.
 - Click **Create** to continue setting up a new plate map.
 - In the Add Map dialog:
 - At the When Processing is Done field, click **Leave in Unprocessed Folder**.
 - Keep the default settings for all other parameters in the Add Map dialog, and click **Save**.
 - At the Unprocessed Maps dialog:
 - Repeat the instructions above for the other two plates, entering the barcode numbers for the plates in the Plate/Rack ID fields.
6. At the Precision Power main screen, click the **To-Do List** icon on the toolbar. The Modifying the To-Do List dialog will open and the three barcode plate maps that you created will appear in the Available Plate Maps list.
7. Select the option to **Add to To-Do List via BioStack**.
8. Configure the Options as follows:

- Use the drop-down list in the BioStack Selection field to identify the BioStack and supply station.
 - De-select **Limit by location count**.
 - Select **Ignore failures**.
9. Click **Generate List** to start the BioStack scanning process. The BioStack will scan each plate as it moves from the output stack to the input stack.
10. Note whether the following activities occur:
- The red LED on the barcode scanner should flash as the scanner reads the barcode on the plate at the extended carrier position.
 - Precision Power will look for an Available Plate Map with the same Plate ID as the scanned plate. As it finds a match, it moves the plate map to the Assigned Plate Maps, i.e., the To-Do List. All three barcode plate maps should now appear in the Assigned Plate Maps list.

If a failure occurs during the process, Precision Power puts a placeholder in the Assigned list marked with a red error icon. A barcode scanning error results in a placeholder name **No barcode #**.

- Remove the plate from the carrier, and check for a missing label, invalid or illegible barcode, or a barcode label on the wrong side of the plate in reference to the position of the scanner. Ensure that the barcode ID you entered into Precision Power matches the barcode ID on the plate.
- Correct the problem, place the plate back into the output stack, and home the BioStack. Repeat steps 6 through 9.
- If the test does not pass, contact BioTek TAC.

To Report Scanned Codes with Precision/XS

The BioStack is engaged by a Precision program through a Supply command. BioStack-scanned barcodes are managed through the To-Do list.

Refer to **Setting Up a BioStack** in the Precision Power User Guide and **To use the BioStack to build the To-Do List** in the Precision Power help system (Help > Help Topics > Plate Maps > To Do List).

Index

Note: Find instructions for connecting the BioStack to the interfacing instrument in the instrument-specific PDFs provided with this manual.

		Microplates	
		processing	46
		with lids	49
		restacking	49
		Minimum requirements	14
		P	
0		Packing materials	36
	0 Degree orientation		52
1		Plate Lid Definition	88
	10-Plate Stacks		
3		Plates	
	30-Plate Stacks	loading with pedestal	44
5		nesting requirements	45
	50-Plate Stacks	restacking	49
A		specifications	9, 45
	Accessories	transfer errors	88-89, 91
	Alignment instructions	Plates with lids	49, 53
B		Stay-on lid mode	10
	Barcode scanner	Precautions	xiv
	install	Preventive Maintenance	
	scanner test	linear ways	66
	Barcodes	Process plates	46
	attaching labels	With lids	49-50, 52
	usage with Precision/XS	R	
	BioStack	Read/run plates	46
	Plate stacked height	Required software	14
D		Restack plates	49
	Decontaminate	Returning the instrument	36
	Dip switch setting	S	
E		Sodium Hypochlorite	xiv
	Error codes	Specifications	9
G		Stacks	
	Grease kit	how to load plates	44
	using	Stay-On Lid Mode	10
H		Stop Plate Processing	47
	Hazards	66 ^T	
I		Transfer problems	91
	Integration setting	Troubleshooting	74
L		adjust stack dogs	91
	Lidded Plate Stacks	BioStack plate height	88
	Stay-on lid mode	Stop processing	47
	Linear ways	U	
	cleaning and lubricating	Upgrade scenarios	14
M		W	
	Maintenance	Wrist angle setting	26, 29
	linear ways		