

Thermo Scientific
PrintMate
Operator Guide
A79510100 Issue 2



Thermo
S C I E N T I F I C

Legal Information

Copyright 2009. Thermo Fisher Scientific. All rights reserved.

Thermo Shandon Limited is an ISO 9001 and ISO 13485 Accredited Company.

Thermo Fisher Scientific is the trading name of Thermo Shandon Limited.

All other trademarks are the property of Thermo Fisher Scientific and its subsidiaries

Thermo Fisher Scientific makes every endeavour to ensure that the information contained in its support documentation is correct and clearly stated but does not accept responsibility for any errors or omissions. The development of Thermo Fisher Scientific products and services is continuous. Make sure that any published information that you use for reference is up to date and relates to the status of the product. If necessary, check with Thermo Fisher Scientific or your local Thermo Fisher Scientific representative.

This manual may not, in whole or in part, be copied, photocopied, reproduced, translated, or converted to any other electronic or machine readable form without prior written consent of Thermo Fisher Scientific.

All information contained in this manual is proprietary and confidential, and the exclusive property of Thermo Fisher Scientific. This manual is protected by copyright and any reproduction is prohibited. This manual is for use only by the individuals to whom it has been made available by Thermo Fisher Scientific.

Contact Addresses:

Anatomical Pathology Int., 93-96 Chadwick Road, Astmoor, Runcorn, Cheshire, WA7 1PR, UK

Tel: +44 (0) 1928 562 600; Fax: +44 (0) 1928 562 627; Web: www.thermo.com/pathology

Anatomical Pathology USA, 4481 Campus Drive, Kalamazoo, MI 49008, USA

Tel: 1-800-522-7270; Fax: +1 269-372-2674; Web: www.thermo.com/pathology

Standards

The Thermo Scientific PrintMate meets the following CE Mark requirements:

Low Voltage Directive 2006/95/EC, as amended by 93/68/EEC

Symbols

The following symbols and conventions may be used throughout this document and on the instrument:



This symbol is used on the equipment, or in a document, to indicate that instructions must be followed for safe and correct operation. If this symbol appears on the instrument, always refer to the operator guide.



This symbol is used on the equipment, or in a document, to indicate that there may be a biohazard associated with the instrument. Always act with common sense and be aware of the samples used. Take suitable precautions.



This symbol indicates that a surface is hot. If this symbol appears on the instrument, always refer to the operator guide. Take suitable precautions.



This symbol is used on the equipment, or in a document, to indicate that harmful chemicals are used. Refer to the Material Safety Data Sheets for the chemicals used. Always act with common sense and be aware of local laboratory procedures. Take suitable precautions.

A WARNING IS GIVEN IN THE DOCUMENTATION IF THERE IS A DANGER OF PERSONAL INJURY OR DAMAGE TO THE EQUIPMENT OR SAMPLES.

Note

Notes give additional information about a job or instruction, but do not form part of the instruction.

Table of Contents

Introduction	1
General Safety	1
Disposal of Sealed Lead Acid Batteries	2
Chemical Safety	2
Environment.....	3
Warranty Statement	3
Product Return Safety Declaration.....	4
How To Use This Guide.....	5
Introduction	5
The PrintMate Product Range	6
Introduction	7
Identification of Parts	7
System Interaction	9
System Specification	10
Basic Operation	11
Loading Procedure.....	12
Changing the Foil Tape.....	20
Using a Barcode Reader	24
Using the Touch Panel	31
Installation and Setup	32
Setting Up PrintMate	32
Connecting the Output Chutes	39
Changing the COM Port Settings.....	41
Troubleshooting.....	44
Carousel Error	44
Fail to Detect Cassette	45
'Hopper Empty' Warning Displayed When Not Empty	46
Dispense Error.....	47
Dispense Lever Fails to Reset	48
Conveyor Error.....	49
Output Error	50
Output Drum Error	51
Loud Knocking Noise On Power-Up.....	52
Instrument Not Responding.....	53

Computer Not Responding	54
Tape Errors.....	55
Poor Print Quality	56
No Print	57
Part of Print is Missing	58
Lower Line of Print is Misaligned	59
Print is Faint.....	60
Print Rubs Off Cassette Easily	61
Barcodes Will Not Scan.....	62
Print Contains Incorrect Information	63
Cleaning and Maintenance.....	64
Cleaning Procedure	64
Changing Fuses	65
Appendices.....	66
Appendix A - Spares and Accessories.....	66
Appendix B - Repacking Instructions.....	67
Appendix C - Approved Cassette List.....	68
Index.....	69

Safety Information

Introduction

Thermo Fisher Scientific products are designed for convenient and reliable service; however, incorrect actions by a user may damage the equipment, or cause a hazard to health.

The following sections contain important information for the safe setup and use of the instrument.



All users must read and understand the following sections before using the instrument.

General Safety

This instrument, as supplied, conforms with IEC61010-1 and IEC61010-2-100; however, the addition of chemical introduces potential hazards.

As with all scientific equipment, due care and good laboratory practice must be employed when dealing with these chemicals, and consideration must be given to the potential for hazard when dealing with particular chemicals.

Be aware that many of the reagents used with this instrument may be flammable. Do not introduce any source of ignition into, or near, the instrument once it has been loaded with reagents.

Do not remove any panels or covers. The instrument does not have any user serviceable parts.

The instrument must be properly connected to a good earth (ground) via the Mains input supply.

Position the instrument such that it is possible to interrupt the Mains supply at the source by removing the plug from the socket.

If the equipment is used in a manner not specified by Thermo Fisher Scientific, the protection offered by the equipment may be impaired.

Make sure that there is at least 100mm (4in) clearance around any fan inlets on the instrument.

In compliance with statutory requirements all our equipment is designed to accepted standards of safety. Its use does not entail any hazard if operated in accordance with the instructions given in the documentation. However, the following safety precautions must be obeyed:

- All users must have read and understood the Operator Guide and these safety instructions; and only operate the unit in accordance with the instructions.
- Potentially lethal voltages above 110V a.c. or 50V d.c. are present inside the instrument. Do not remove any access covers unless specifically instructed to do so.
- It is important that normal standards of safety and good laboratory practices are employed. Always use common sense when operating the instrument.
- Any problems and queries should be referred to your Thermo Fisher Scientific supplier.
- Correct maintenance procedures are essential for consistent performance. It is recommended that a Maintenance Contract is taken out with our Service Department.
- Use only factory approved accessories or replacement parts with this instrument.
- Only use reagents recommended in the Operator Guide.

Disposal of Sealed Lead Acid Batteries

In cases where there are two back-up batteries, these should always be replaced as a pair at the recommended service interval.

If the instrument has mainly been operated in very low temperatures, or has been exposed to frequent Mains failures, the batteries should be replaced every year.

The battery manufacturers advise their customers to comply with the relevant regulations within their particular country regarding disposal of this type of battery.

The batteries used within this instrument are valve regulated sealed lead-acid type rechargeable batteries; the specific details of which can be found in the Operator Guide.

Chemical Safety

THE INTRODUCTION OF CHEMICALS CREATES POTENTIAL HAZARDS AND THERMO FISHER SCIENTIFIC HAS ADOPTED THE FOLLOWING POSITION WITH REGARD TO THE SUBJECT OF VOLATILE CHEMICALS USED IN MEDICAL LABORATORIES:

- Non-specified chemicals are used in the instrument at the customers own risk.
- All the chemicals recommended by Thermo Fisher Scientific have auto-ignition temperatures considerably above any surface temperature that can be reached during a single fault failure on the instrument. Small quantities of paraffin wax present will not reach a temperature that will produce flammable vapour.
- The instrument contains no source of ignition in any areas of the instrument where chemicals are stored, or are likely to leak into in a single fault condition.
- The operator is fully aware of the contents of the specification documents detailing the properties of the chemicals they are using.
- The operator has carried out any legally required assessment of chemicals used and is using good laboratory practice.



Some chemicals which may be used during operation are flammable - do not use sources of ignition in the vicinity of the instrument when it is loaded with reagents.



Harmful chemical vapours such as xylene and toluene may be emitted during the normal operation of some instruments, and the operator should be aware of suitable precautions and safety measures.

Environment

This product is required to comply with the European Union's Waste Electrical and Electronic Equipment (WEEE) Directive 2002/96/EC. It is marked with the following symbol:



Thermo Fisher Scientific has contracted with one or more recycling / disposal companies in each EU Member State, and this product should be disposed of or recycled through them.

Further information on Thermo Fisher Scientific's compliance with these Directives, the recyclers in your country, and information on Thermo Fisher Scientific products which may assist the detection of substances subject to the RoHS Directive are available at:

www.thermo.com/WEEERoHS

Warranty Statement

We at Thermo Fisher Scientific are proud of our quality, reliability and of our after-sales service. We continuously strive to improve our service to our customers.

Please ask your distributor or Thermo Fisher Scientific representative about Service Contracts which can keep your purchase in peak condition for many years to come.

Warranty provisions necessarily vary to comply with differences in national and regional legislation. Specific details can be found in the delivery documentation or from your dealer or representative.

Please note that your warranty may be invalidated if:

- This instrument is modified in any way.
- Accessories and reagents which have not been approved by Thermo Fisher Scientific are used.
- The instrument is not operated or maintained in accordance with the instructions in the Operator Guide.

Product Return Safety Declaration



PRODUCT RETURN SAFETY DECLARATION

Part 1 Decontamination Certificate

Any instrument or part of any instrument must be clean before being returned, and where necessary accompanied by a completed Decontamination Certificate. Should the instrument or any part of it be received in an unclean condition, or Thermo Fisher Scientific consider it to be a hazard, the instrument or part will be returned unrepaired at the expense of the customer.

It is important that the certificate is forwarded by post or fax, and a copy attached to the exterior of the container. Containers will not be opened until the company is in possession of the required certificate.

This form **MUST** be completed by the customer and **NOT** by a Thermo Fisher or distributor employee.

If an instrument or part is to be returned to Thermo Fisher Scientific, please note the following:

- 1 If the instrument or any part of it has been exposed to, or been in contact with potential pathogenic or radioactive material, it is essential that it is decontaminated.
- 2 Set procedures are laid down in the European Health and Safety Directives for decontamination. To avoid any misunderstanding, we request that all instruments or parts returned to us must be accompanied by a certificate stating the following:

We certify that this (Model)..... Serial No.....

- has not been exposed to pathogenic, radioactive or other hazardous material and has been cleaned

OR

- has been decontaminated and cleaned (if exposed to the above) according to approved procedures following exposure to:

- Has the instrument been used for work with human or animal Transmissible Spongiform Encephalopathies, e.g. Creutzfeld-Jacob disease, Scrapie or BSE?

YES / NO

If yes, please contact Thermo Fisher Service before taking any further action.

Signed Position
Name (Block Capitals)
Company or Organisation
Full Address
.....

Part 2 Guidelines for Returning Instruments

Please use the checklist below to ensure that the instrument being returned is ready for collection.

- All reagents / wax removed from instrument, including vapour traps (if applicable).....
- Accessories are secured / itemised
- Instrument has had transit clamps fitted as per Operator Guide (if applicable).....
- Instrument is packed in original packaging..... YES / NO

RMA NUMBER

CARRIER

FOR ATTENTION OF

How To Use This Guide

Introduction

The Thermo Scientific PrintMate is a high-speed cassette labelling instrument designed for use in laboratories by operators familiar with cassette labelling techniques and laboratory equipment.

Before operating PrintMate, users should have read and understood the Safety Information as well as the LabWriter Operator Guide (A79510105).

Chapter 1 - Introduction to PrintMate

This chapter gives a tour of the instrument and its features. It describes the different parts of the instrument and gives general information with regards to interfacing with the PrintMate.

Chapter 2 - Basic Operation

This chapter explains the basic operating techniques required to perform routine tasks and use PrintMate on a day-to-day basis.

Chapter 3 - Installation and Setup

This chapter is a step-by-step guide to installing and setting up PrintMate and its accessories.

Chapter 4 - Troubleshooting

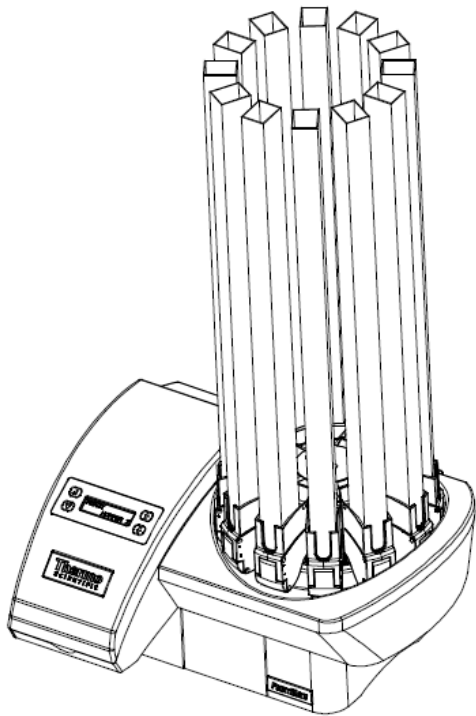
This chapter is intended to help operators identify and cure common faults.

Chapter 5 - Cleaning and Maintenance

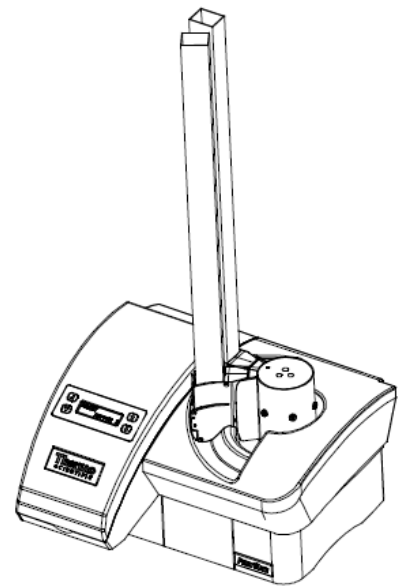
This chapter lists the cleaning schedules which should be followed to ensure safe and reliable operation.

The PrintMate Product Range

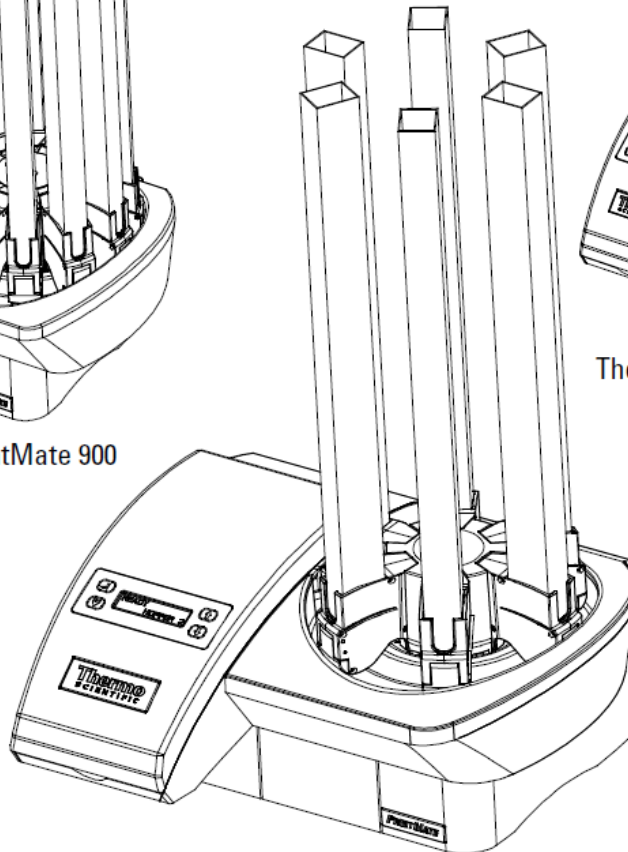
The PrintMate product range consists of 3 different models with varying cassette capacity.



Thermo Scientific PrintMate 900



Thermo Scientific PrintMate 150



Thermo Scientific PrintMate 450

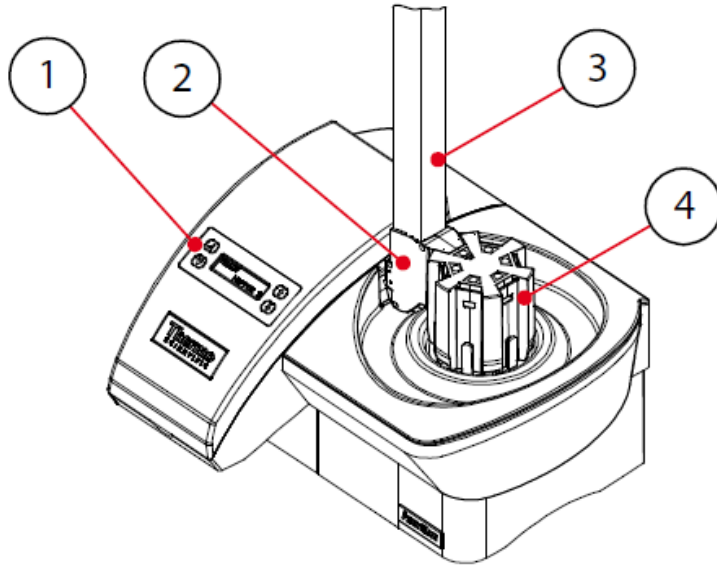
The methods of operation for each of these instruments are identical.

Introduction

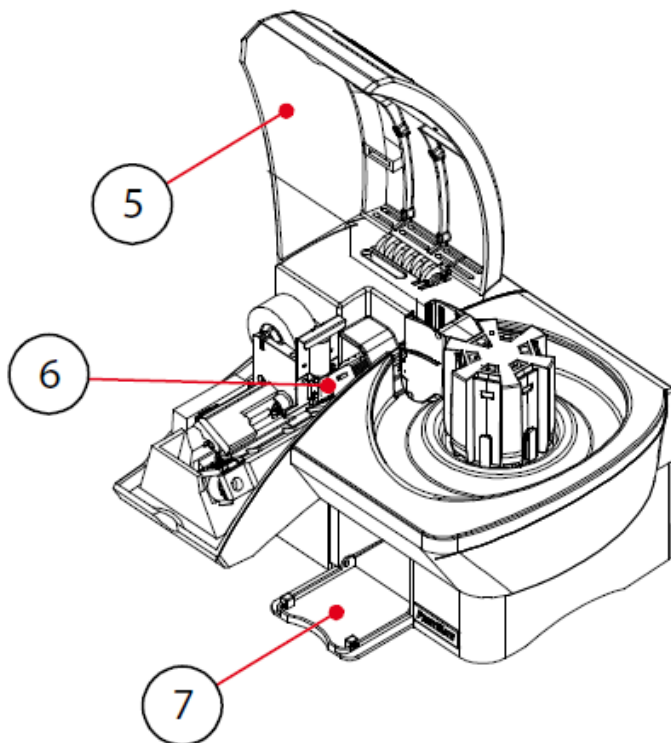
Identification of Parts

The following diagrams identify the different components of PrintMate.

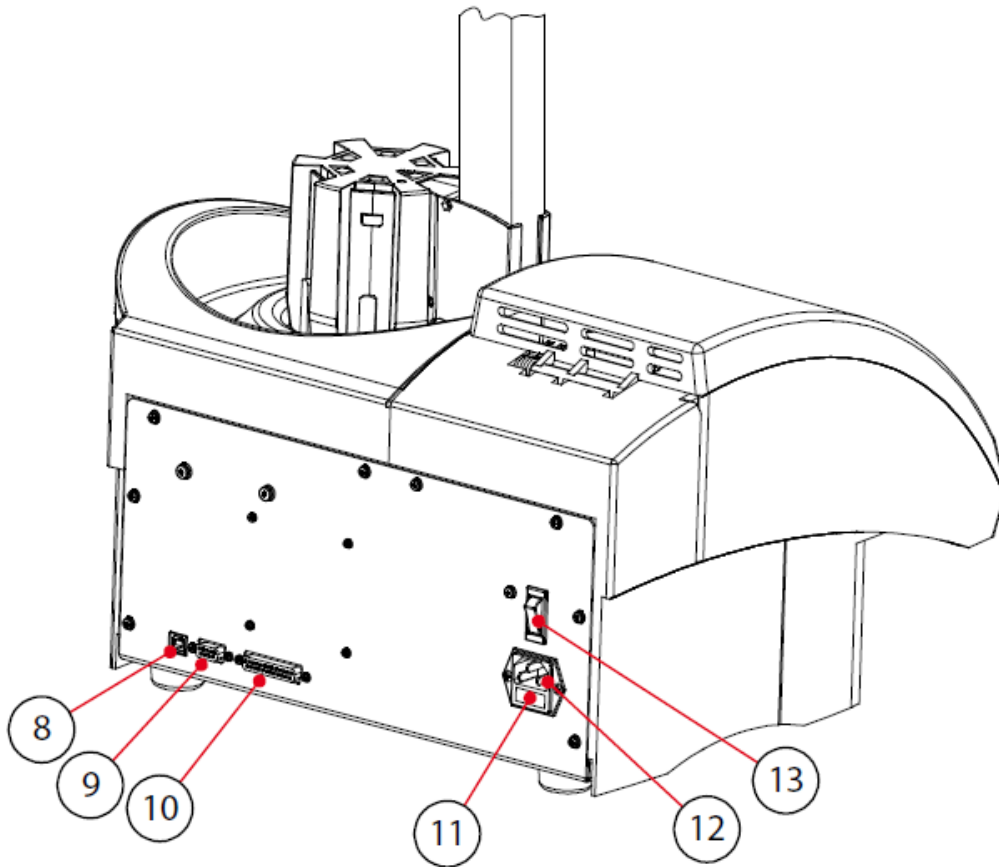
PrintMate with doors closed



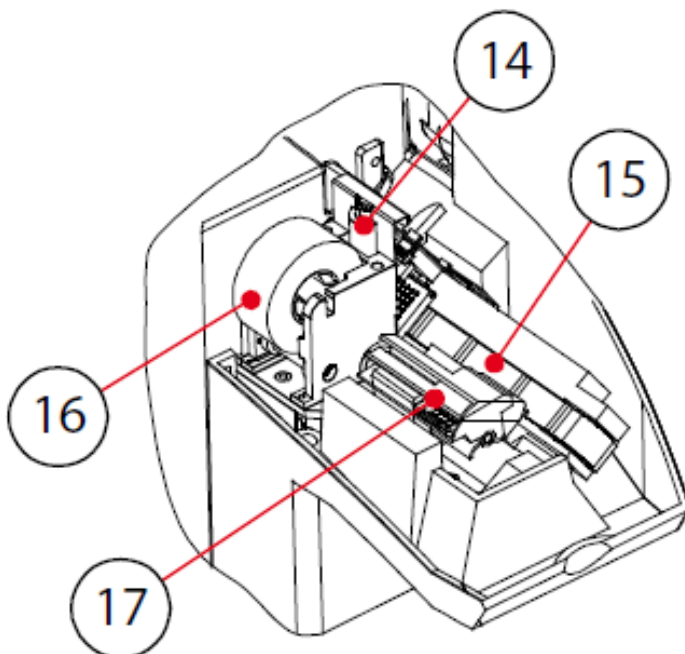
PrintMate with doors open



PrintMate external connections



PrintMate print head



List of parts

Item	Description
1	Touch Panel and Display
2	Cassette Hopper
3	Cassette Tube
4	Carousel
5	Print Door
6	Print Head
7	Waste Spool Access
8	USB Connection
9	9-Pin Serial Port
10	Collection System Connector
11	Fuse
12	Power Connector
13	Power Switch
14	Cassette Clamp
15	Conveyor Belt
16	Hot Foil Tape
17	Output Drum

System Interaction

The two methods of interacting with PrintMate are:

- Using the LabWriter Application provided with the instrument as explained in the LabWriter Application Operator Guide (A79510105).
- Using the Touch Panel on the instrument - *see Chapter 2 - Using the Touch Panel.*

System Specification

Mechanical Specification

Note

Parameters listed are for the 12 hopper model.

Height	810 mm (with cassette tubes) / 290 mm (without cassette tubes)
Width	435 mm
Depth	380 mm
Weight	17 kg (with cassette tubes)

Electrical Specification

Voltage	100-120 V~ / 220-240 V~
Frequency	50 / 60 Hz
Power	150VA (512 BTU/h)
Earth Leakage	< 500 mA
Fuses	T2A H250V (2 off)

Environmental Specification

Warning - For indoor use only	
Temperature (Operating Limits)	+5°C to +40°C (+41°F to +104°F)
Temperature (Recommended Operation)	+15°C to +30°C (+59°F to +86°F) Note <i>Performance may deteriorate when operated outside of this range</i>
Temperature (Storage)	-25°C to +55°C (-13°F to +131°F) / +70°C (+158°F) for short exposure
Relative Humidity	Max. 80% RH up to 31°C, decreasing linearly to 50% RH at 40°C
Altitude	Up to 2,000 m (6,500 ft)
Pollution Degree	2
Over Voltage Category	II

Basic Operation

Loading Procedure:

- Loading Cassette Tubes with Hopper Removed
- Loading Cassette Tubes with Hopper In-Situ
- Loading Single Cassettes Into Hopper
- Loading Hoppers Onto the Carousel

Changing the Foil Tape:

- Removing the Used Foil Tape
- Fitting the Foil Tape Roll

Using a Barcode Reader:

- Safety Information
- Barcode Reader Setup
- Barcode Reader Configuration
- Reading Barcode Information
- Barcode Reader Troubleshooting

Using the Touch Panel

Loading Procedure

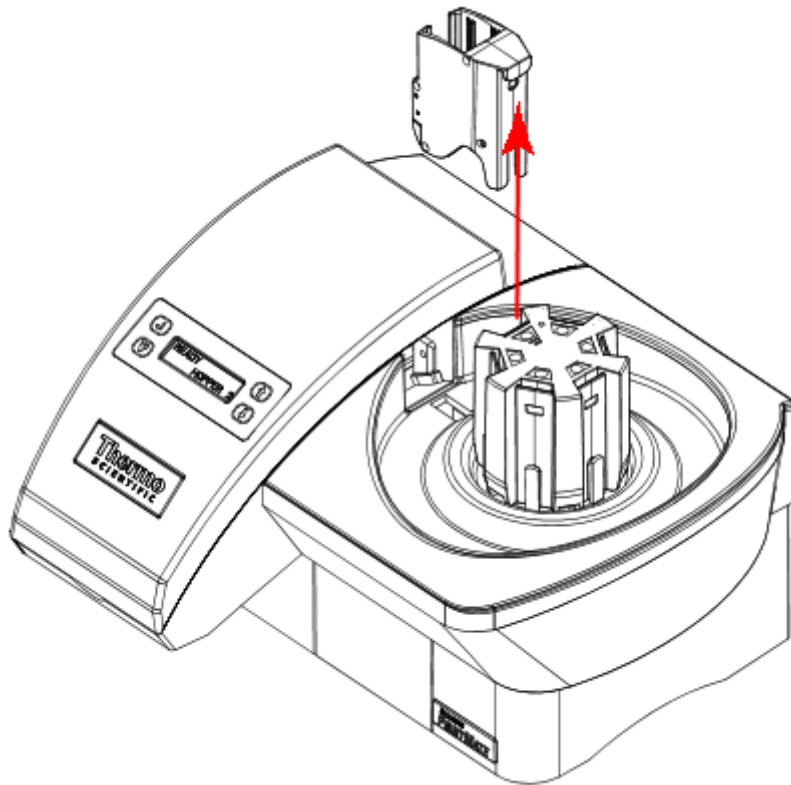
There are two methods of loading Cassette Tubes into Hoppers.

Loading can be carried out with the Hopper removed from the Carousel or in-situ.

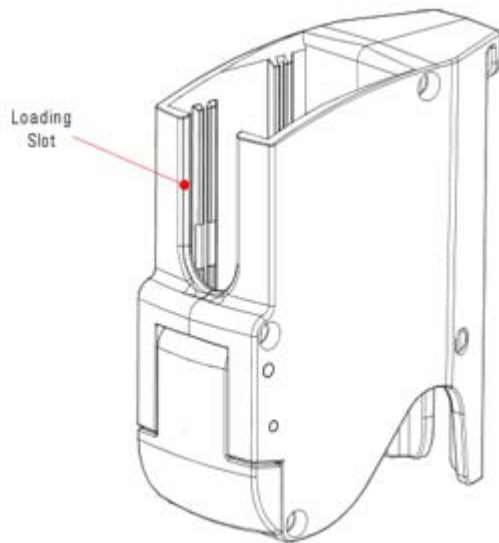
Loading Cassette Tubes with Hopper Removed

To load Cassettes Tubes containing up to 75 Cassettes into a Hopper:

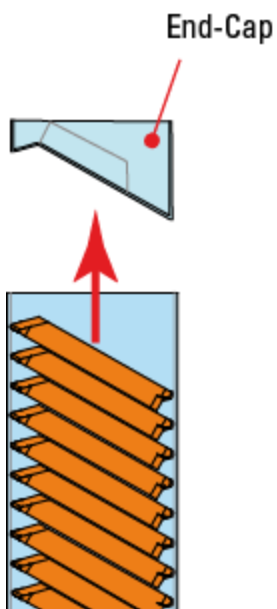
- Remove an empty Hopper from the Carousel.



- Place the Hopper on a flat surface so that it is stood upright as shown.



- Unpack a Tube of Cassettes and remove the End-Cap as shown.

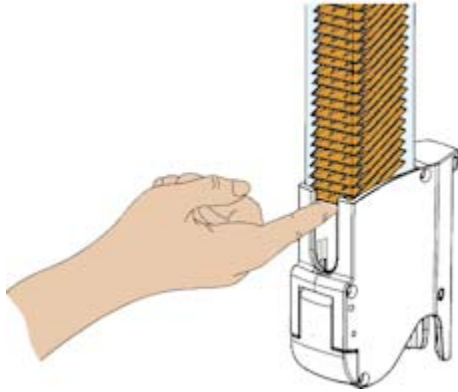


Note

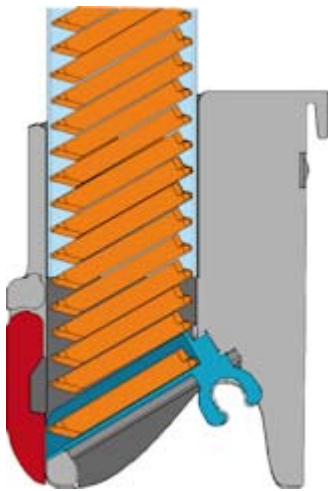
Ensure the Cassette Tube is oriented as shown to avoid the Cassettes spilling out of the Tube.

- Use a finger to hold the Cassettes in the Tube and then turn it upside down so that the open end of the Tube is at the bottom.

- Lower the Tube into the open top of the Hopper, being sure to keep a finger on the bottom for as long as possible; there is a Loading Slot provided for this purpose.



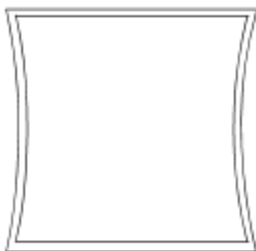
- Remove finger from the Loading Slot and allow the Cassettes to fall into position as shown.



- The Cassette Tube should sit on a step about half-way down the Hopper as shown.

Warning Failure to ensure Cassettes are properly loaded can cause the hopper to jam.

Warning Ensure that the end of the Cassette Tube is not damaged or deformed as this may cause jams.



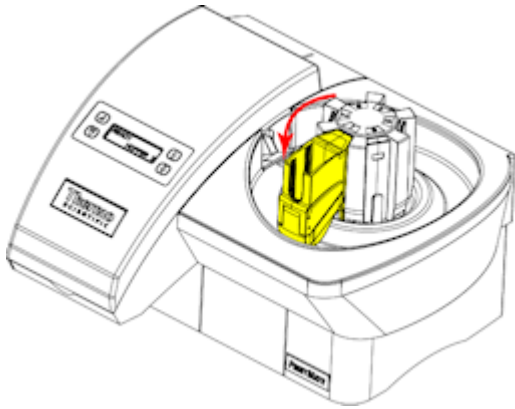
Note

When loading Cassette Tubes into Hoppers that are not attached to the Carousel, it is possible to fit the Hopper with the Tube upside down to avoid the risk of spilling the Cassettes out of the Tube.

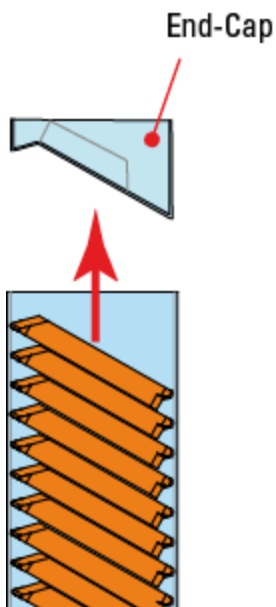
Loading Cassette Tubes with Hopper In-Situ

To load Cassette Tubes containing up to 75 Cassettes into a Hopper:

- Use the Control Panel to rotate the Carousel so that an empty Hopper is at the front of the instrument.



- Unpack a Tube of Cassettes and remove the End-Cap as shown.

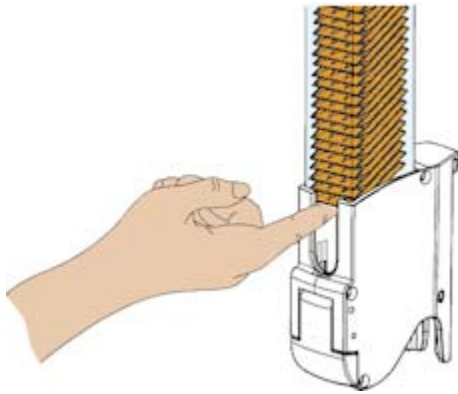


Note

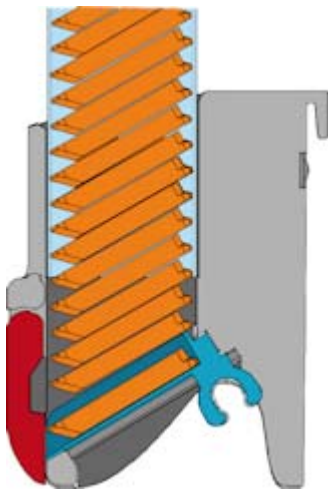
Ensure the Cassette Tube is oriented as shown to avoid the Cassettes spilling out of the Tube.

- Use a finger to hold the Cassettes in the Cassette Tube and then turn it upside down so that the open end of the Cassette Tube is at the bottom.

- Lower the Cassette Tube into the open top of the Hopper, being sure to keep a finger on the bottom for as long as possible; there is a Loading Slot provided for this purpose.



- Remove finger from the Loading Slot and allow the Cassettes to fall into position as shown.



- The Cassette Tube should sit on a step about half-way down the Hopper.

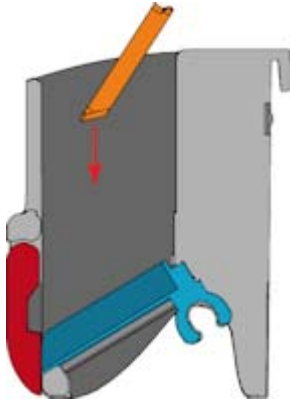
Warning Failure to ensure Cassettes are properly loaded can cause the hopper to jam.

Warning Ensure that the end of the Cassette Tube is not damaged or deformed as this may cause jams.

Loading Single Cassettes Into Hoppers

To load individual Cassettes into Hoppers:

- Without removing the Hopper from the Carousel, drop a Cassette into the open top of the Hopper.



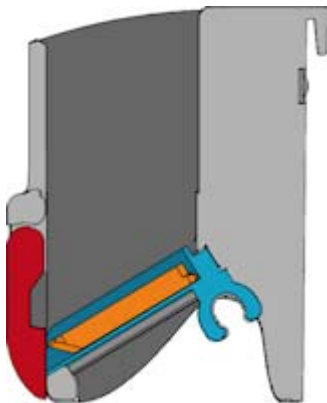
Note

Ensure the Cassette is oriented as shown.

Note

If the cassettes have lids, ensure they are fully closed before use.

- Ensure the Cassette sits as shown.



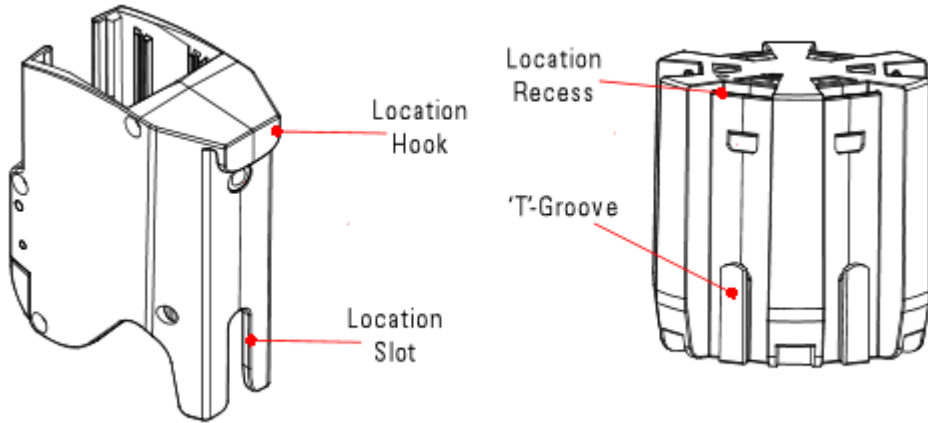
Warning Failure to ensure Cassette is properly loaded can cause the hopper to jam.

Warning Do not mix cassette types when loading individual cassettes as this may cause the instrument to jam.

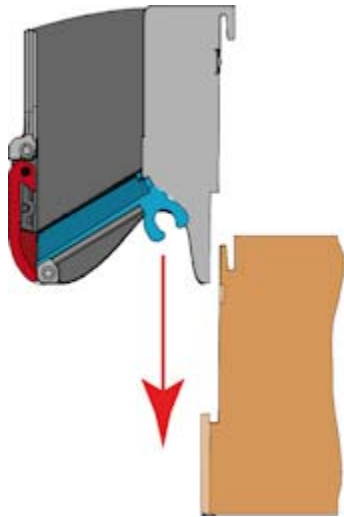
Loading Hoppers Onto the Carousel

The Hoppers are loaded onto the Carousel as follows:

- Identify the features on the Hopper and Carousel shown below.

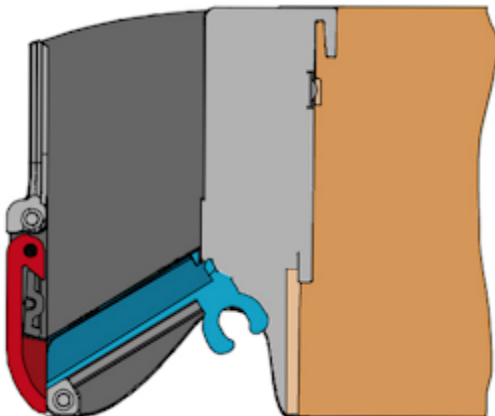


- Position the Hopper above the Carousel and lower it as shown.



- Make sure that the following parts are fully engaged.

1. Location Slot and T-Groove.
2. Location Hook and Location Recess.



Warning Failure to ensure all mating parts are properly engaged may cause damage to the instrument and / or the hoppers.

Warning Ensure the hopper door is closed and the hopper slider is fully retracted before loading onto the carousel.

Changing the Foil Tape

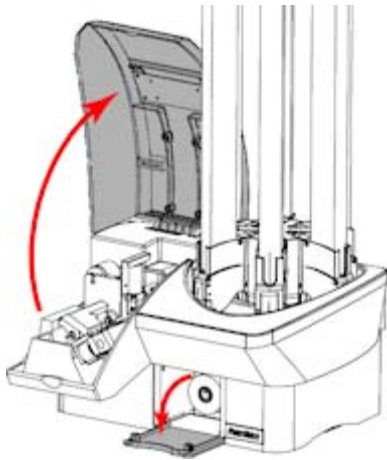
When the Foil Tape has been used up the Touch Panel on PrintMate will display a message stating that the Foil Tape needs replacing.

- Remove the Used Foil Tape
- Fit the Foil Tape Roll

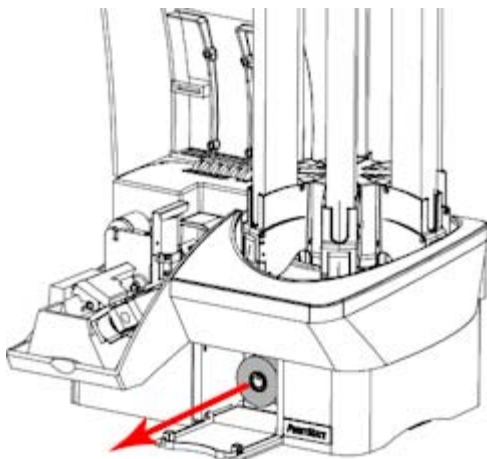
Removing the Used Foil Tape

To remove the used Foil Tape:

- Open the Print Door and the Waste Spool Access hatch.

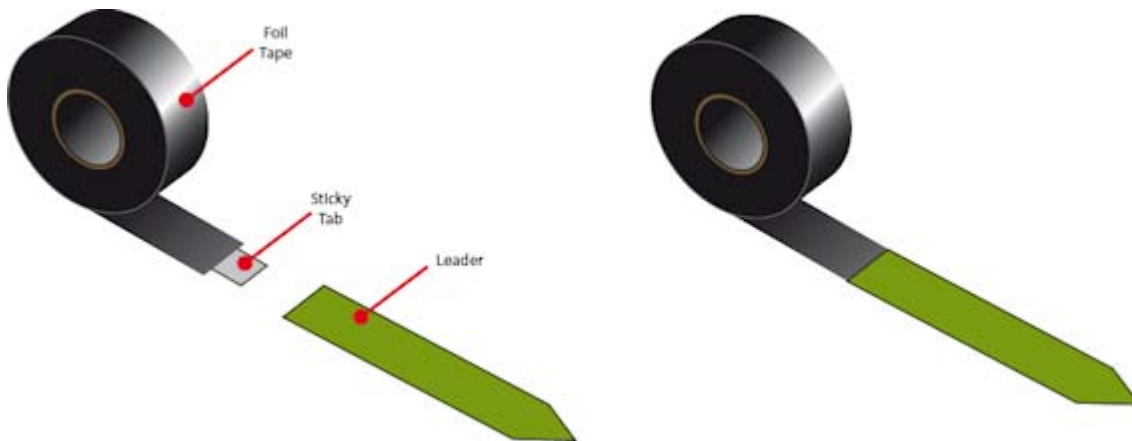


- Manually turn the Waste Spool to pull the remaining Foil Tape through the instrument.
- Remove the full Waste Spool and dispose of according to local regulations.



Fitting the Foil Tape Roll

Unpack a roll of Foil Tape.



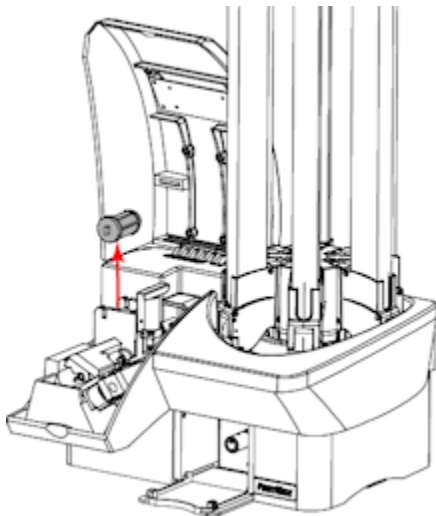
The Foil Tape has a Leader to facilitate loading, and a Sticky Tab to connect the Tape to the Leader and the Waste Spool.

Note

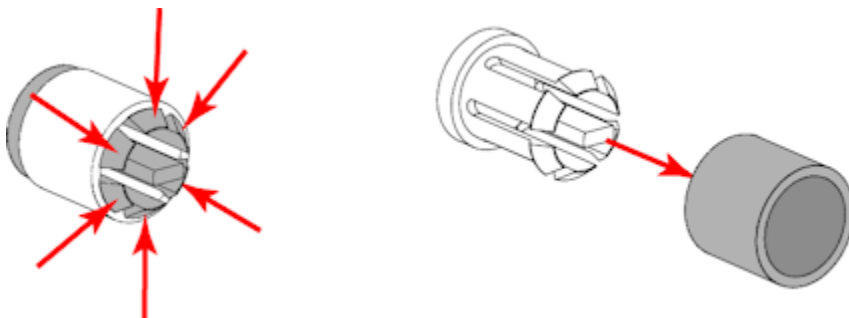
An empty cardboard tube is packed with the new roll of Foil Tape for use as a new Waste Spool.

To load the Foil Tape:

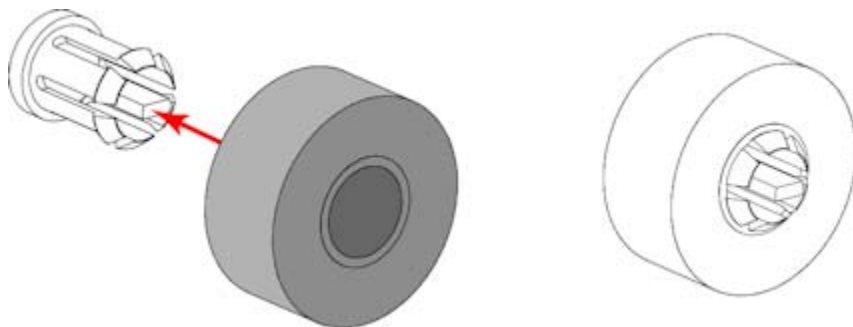
- Remove the Load Spool by lifting it upwards.



- Compress the retaining legs, as shown, to allow the cardboard tube to slide off the Load Spool.



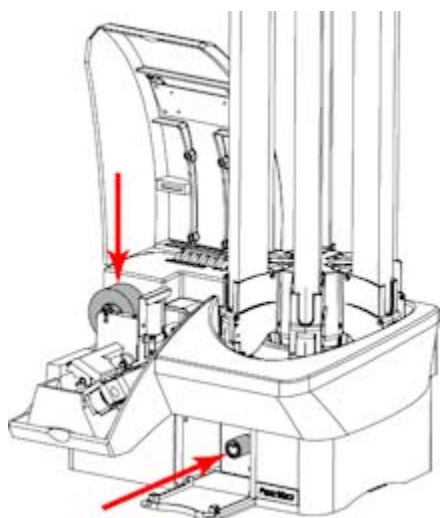
- Fit the new roll of Foil Tape by pushing it onto the Load Spool.



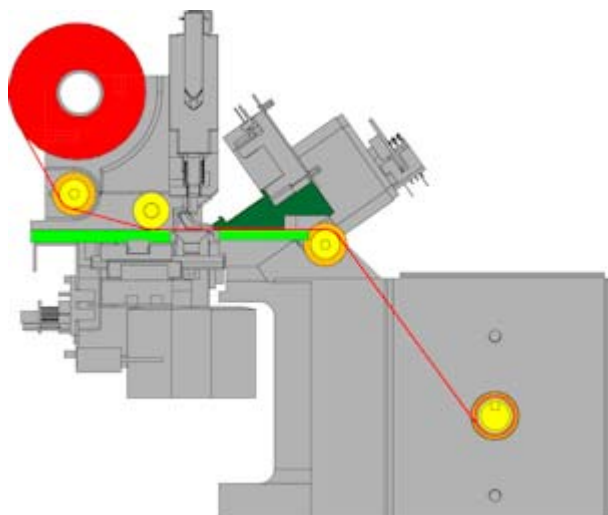
Note

Ensure the roll is pushed fully onto the Load Spool so that the retaining legs hold it securely in place.

- Fit the Load Spool and the Waste Spool as shown.

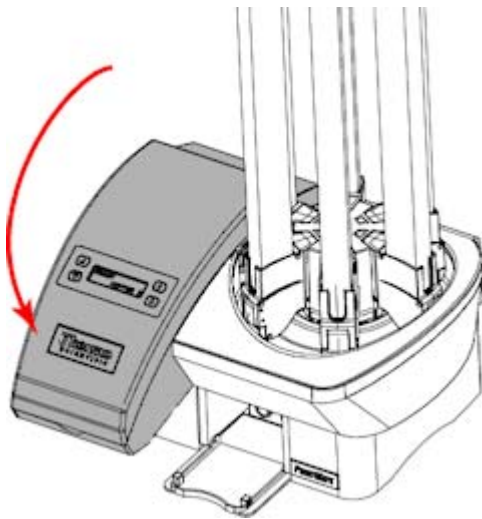


- Feed the Foil Tape Leader through PrintMate as shown; remove the leader and attach the lead end of the tape to the underside of the Waste Spool using the Sticky Tab.

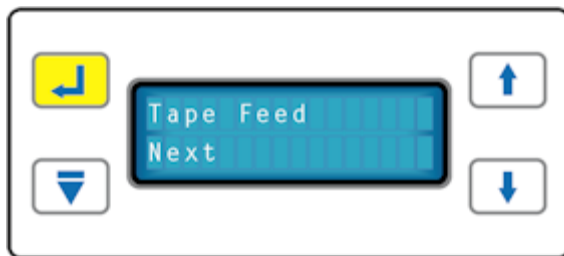


Warning Incorrect loading of the foil tape may cause failure to print.

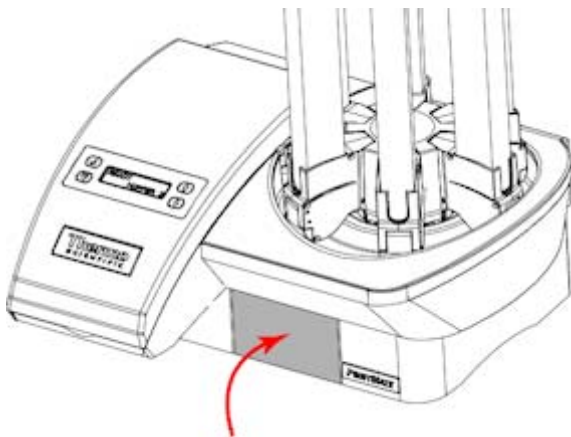
- Close the Print Door.



- Using the Touch Panel on PrintMate, take up the slack on the tape using the Tape Feed option.



- Ensure the Foil Tape is being pulled through PrintMate by the rotating Waste Spool Shaft.
- Close the Waste Spool Access hatch.



Using a Barcode Reader

It is possible to connect a Barcode Reader to the computer running LabWriter Application via an external connection port (eg. USB or Serial Port).

Thermo Fisher Scientific strongly recommends the Symbol® Barcode Reader, which can be purchased as an accessory (see Appendix A).



Note

Other Barcode Readers can be used in conjunction with PrintMate, but Thermo Fisher Scientific can make no guarantee that they will work correctly with the LabWriter Application.

Note

The following sections assume that a Symbol® Barcode Reader is being used.

If an alternative model is being used, please refer to the manufacturer's instructions.

Safety Information



Warning The Symbol® Barcode Reader uses Class 1 and Class 2 lasers during normal operation.

Note

Class 1 laser devices are not considered harmful when used for their intended purpose.

Class 2 laser scanners use a low power, visible light diode; Momentary exposure to Class 2 lasers is not known to be harmful.



Warning Do not stare into the barcode reader during operation.



Warning Do not disassemble the barcode reader as this may result in exposure to a Class 3A laser.

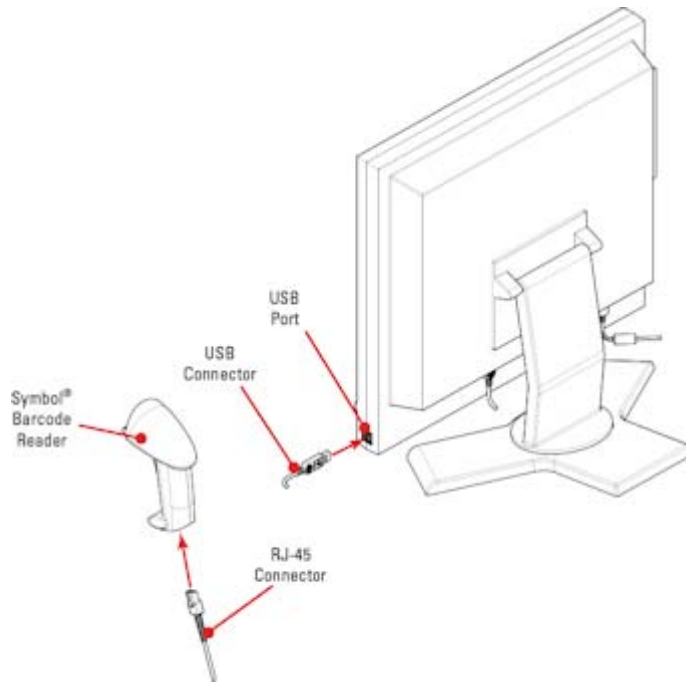
Note

Ensure the documentation supplied with the Symbol® Barcode Reader has been read and understood prior to use.

Barcode Reader Setup

To setup the Symbol® Barcode Reader:

- Remove the Symbol® Barcode Reader and the Stand from the packaging.



- Attach the RJ-45 Connector to the base of the Symbol® Barcode Reader.
- Attach the USB Connector to an available USB Port on the computer.
- The computer should emit a chime to indicate that the Symbol® Barcode Reader has been detected.
- The Symbol® Barcode Reader should also emit a series of beeps.
- Assemble the Stand as described in the Stand Assembly Instruction leaflet supplied with the Symbol® Barcode Reader.

- Position the Stand in a convenient location.



- Place the Symbol® Barcode Reader face down in the Stand Cradle, as shown, with the cable at the back.

Note

The top portion of the stand is adjustable and can be set to the preferred position by the user to ensure comfortable scanning.

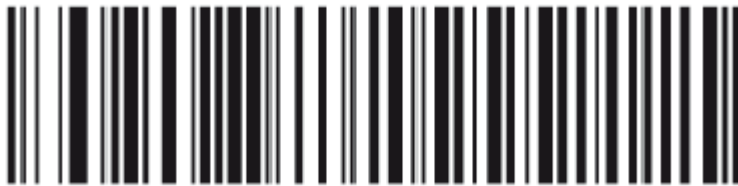
Barcode Reader Configuration

To configure the Barcode Reader for use with the LabWriter Application, scan the following barcodes in the order shown.

- Set defaults barcode.



- HID keyboard emulation barcode.



Note

When each barcode has been scanned, the Barcode Reader will emit a beep and will stop responding to the trigger being pressed for a few seconds.

Warning These barcodes are only for use with the Symbol® Barcode Reader supplied as an accessory to the PrintMate. Use with other makes of barcode reader may have unexpected results or cause damage to your equipment.

Barcode Information

The Symbol® Barcode Reader can read both Linear Barcodes and 2-Dimensional Barcodes.

- Example of a linear barcode.



- Example of a two-dimensional barcode.



When scanning barcodes the barcode should be positioned as shown below.



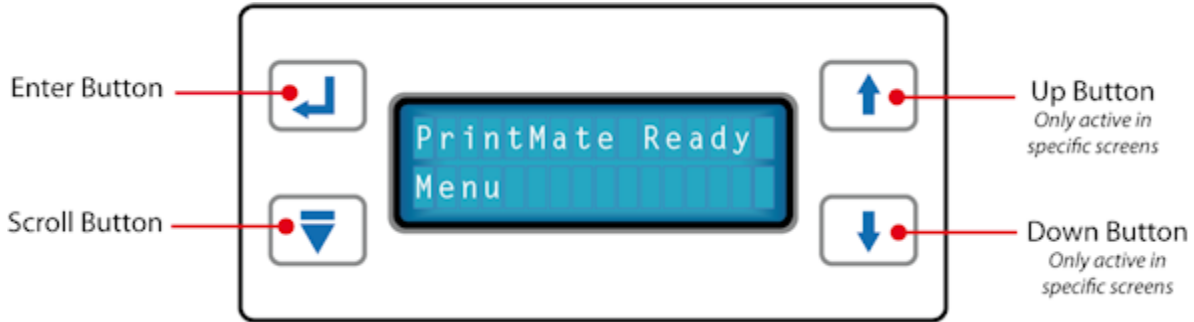
Barcode Reader Troubleshooting

Problem	Cause	Remedy
Barcode reader not working.	No power to barcode reader.	<ul style="list-style-type: none"> • Check system power. • Ensure power supply is connected.
	Incorrect interface cable used.	Ensure correct interface cable is used.
	Interface /power cables are loose.	Ensure all cable connections are secure.
Barcode reader not decoding barcode.	Barcode reader not programmed for barcode type.	Ensure barcode reader is programmed to read the type of barcode being scanned.
	Barcode is unreadable.	<ul style="list-style-type: none"> • Ensure barcode is not defaced. • Try scanning a different barcode of the same type.
	Distance between barcode reader and barcode is incorrect.	Move barcode reader closer to or further from barcode.
Barcode reader decoding barcode but not transmitting data to host computer.	Barcode reader not programmed for correct host interface.	Scan appropriate host parameter barcode (see Symbol® Barcode Reader documentation).
	Interface cable is loose.	Ensure all cable connections are secure.
Scanned data displayed incorrectly on host computer.	Barcode reader not programmed for correct host interface.	Scan appropriate host parameter barcode (see Symbol® Barcode Reader documentation).

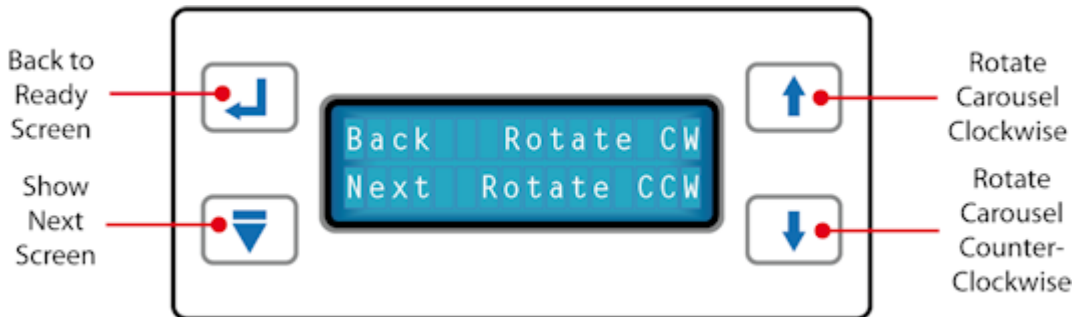
Using the Touch Panel

The Touch Panel located on the Print Door is used to perform a variety of functions.

The function of the buttons on the Touch Panel is dependant on the screen.



The LCD Display will indicate the function of each button as appropriate.



More details of specific screen operation can be found on the **Quick Reference Cards** (A79510120) supplied with the PrintMate.

Installation and Setup

Setting Up PrintMate

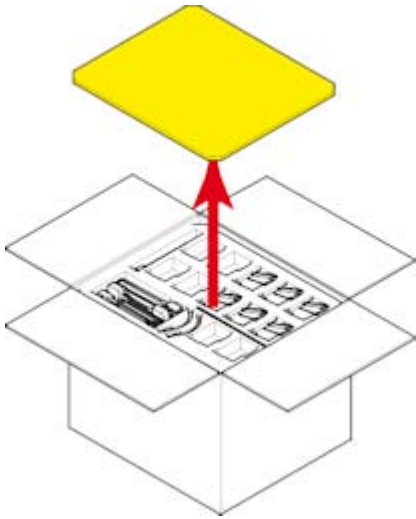
Setting Up Printmate:

- Unpacking
- Siting the PrintMate
- Setting up the Electrical Connections

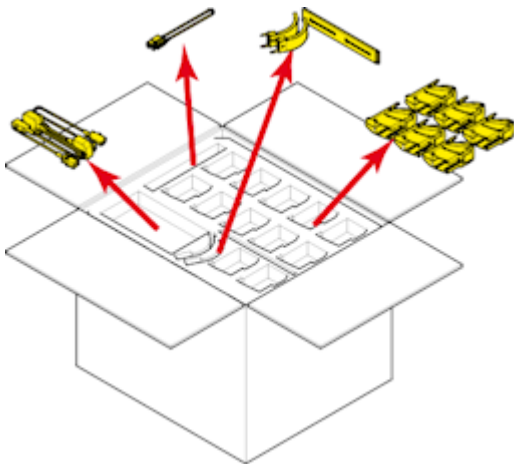
Unpacking

To unpack PrintMate:

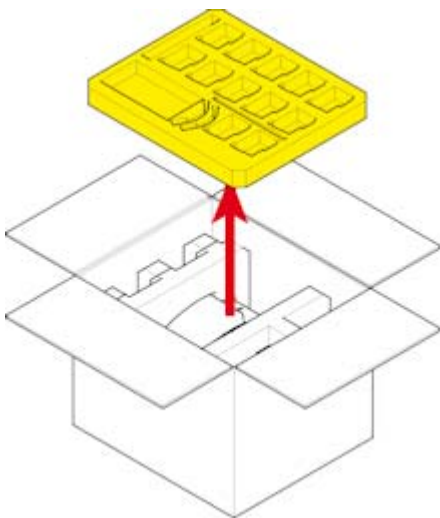
- Remove uppermost foam piece.



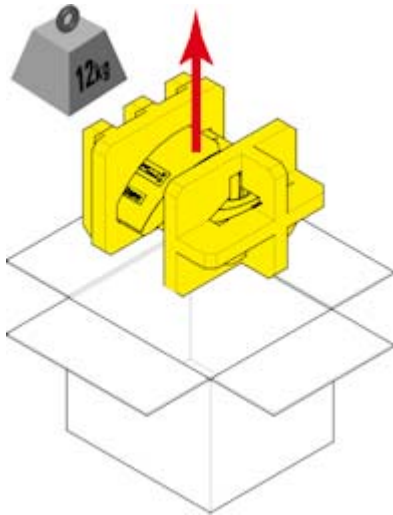
- Remove the Leads, Hoppers and Output Chute pieces.



- Remove the foam tray.

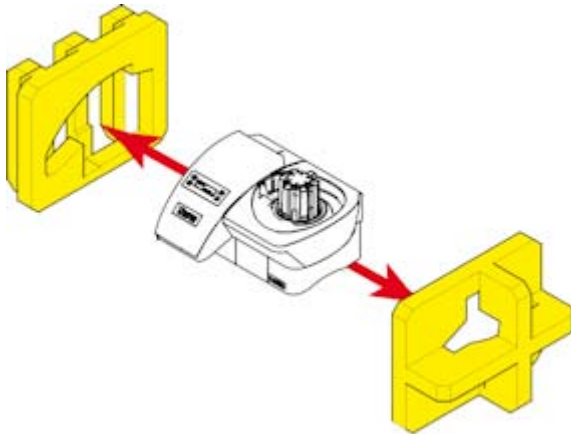


- Lift out PrintMate and the surrounding foam pieces and place onto a suitable level surface.

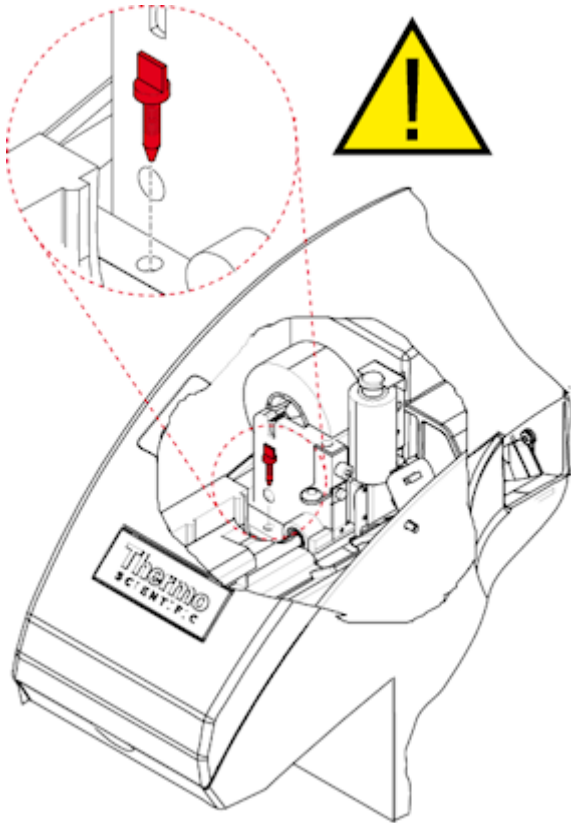


Warning PrintMate weighs approximately 12 kg (26 lbs), and help may be required to ensure safe lifting.

- Taking care not to let the unit fall, remove the remaining foam pieces.

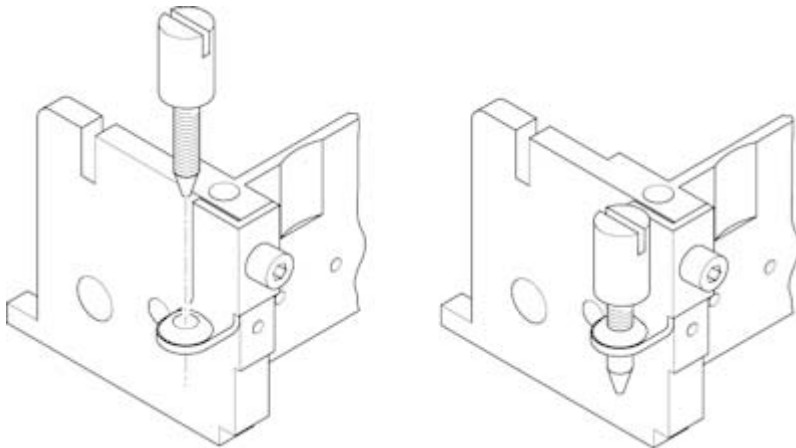


- Open the Print Door and remove the Transit Fixing Screw.



Warning Failure to remove the Transit Fixing Screw before operation may result in damage to the instrument.

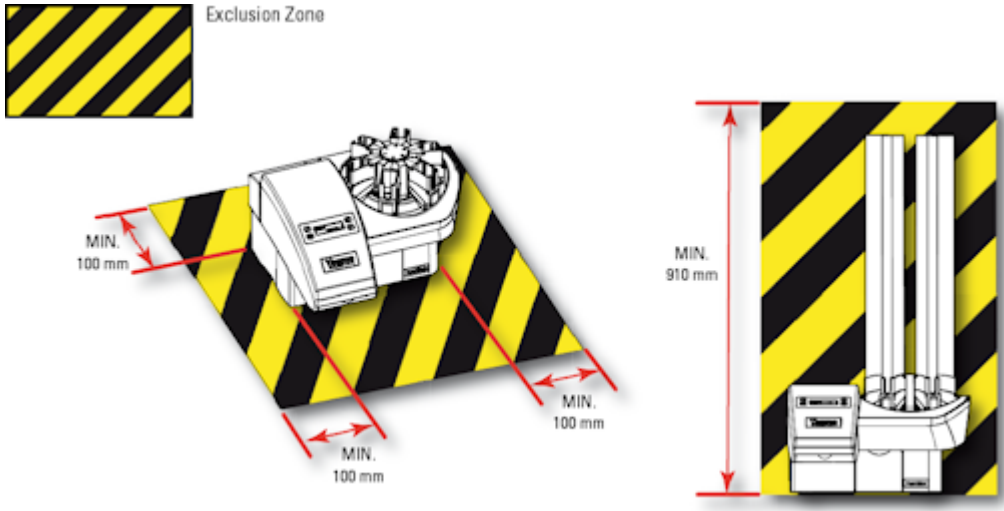
- The Transit Fixing Screw should be placed in the Bracket for safe storage whilst not in use.



Locating PrintMate

Warning PrintMate must be located on a level surface capable of supporting the weight of the instrument and the PC.

PrintMate should be positioned so that it has a minimum of 100 mm (4 in) gap on all sides, as well as sufficient space above it to allow Hoppers and Cassette Tubes to be connected and removed.



Warning PrintMate should be located close enough to the connected PC to ensure that connection wires are not strained.

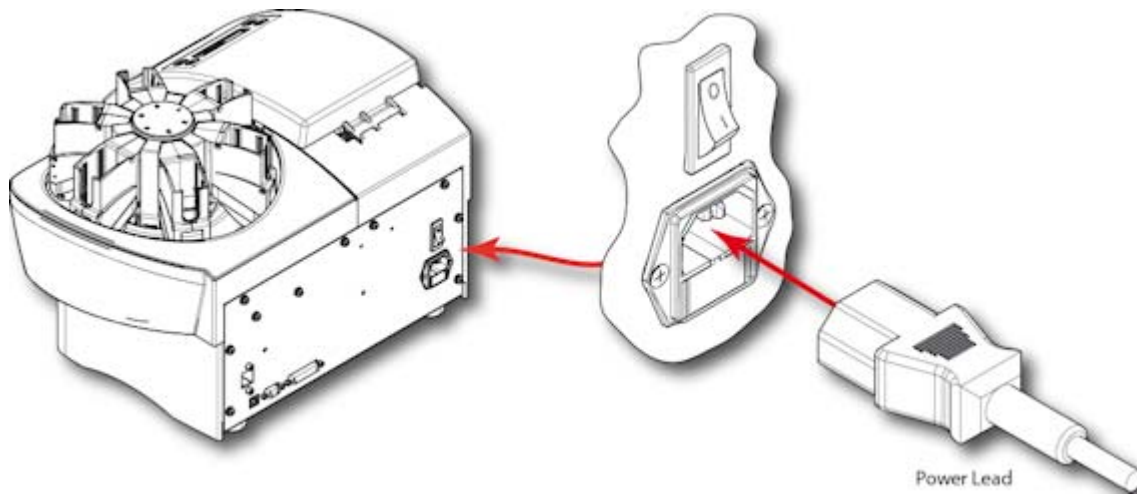
Electrical Connections and Start-Up Procedure

Note

The following instructions assume that the LabWriter Application has been pre-installed. If this is not the case refer to the LabWriter Operator Guide (A79510105) Chapter 1 - Installing the Software.

The PC and PrintMate should be connected as follows:

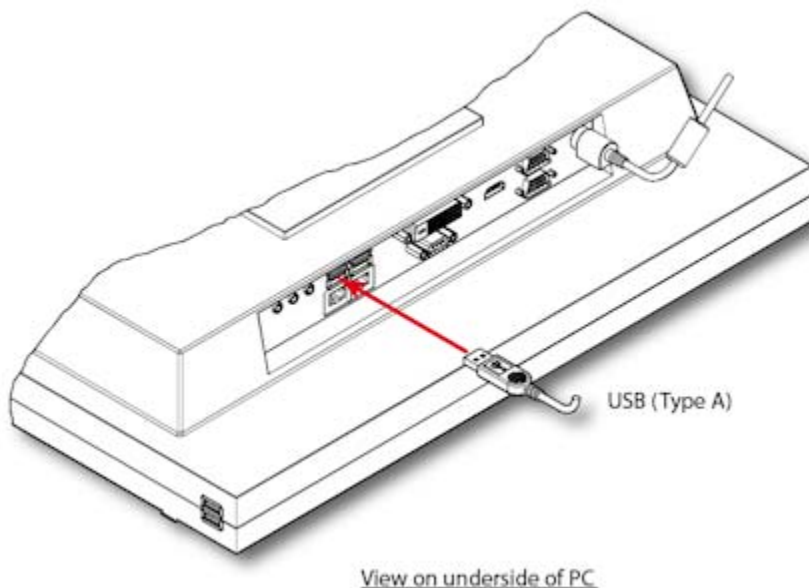
- Set up the PC as described in the manufacturers' instructions.
- Ensure the Power Switch on PrintMate is set to the Off (O) position.
- Connect the Power Lead to the Power Connector and then plug it in to a suitably rated Mains Power Supply.



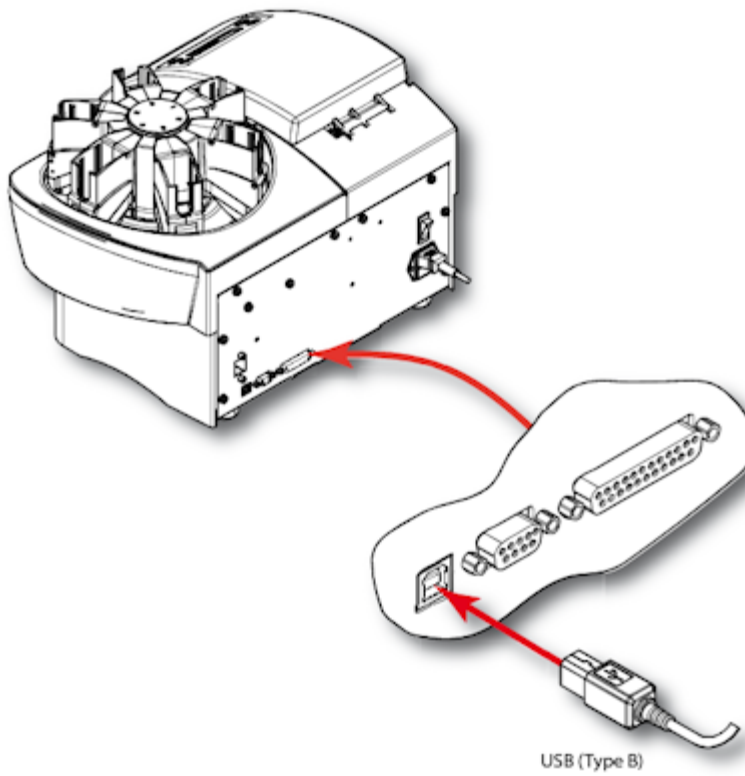
- Power up the PC so that the Windows Desktop is shown.
- Ensure the LabWriter Application is correctly installed onto the PC.

Warning Do not run the LabWriter Application yet.

- Turn on PrintMate and wait until the Touch Panel Display reads **PrintMate Ready**.
- Connect the USB (Type A) Connector to the PC.



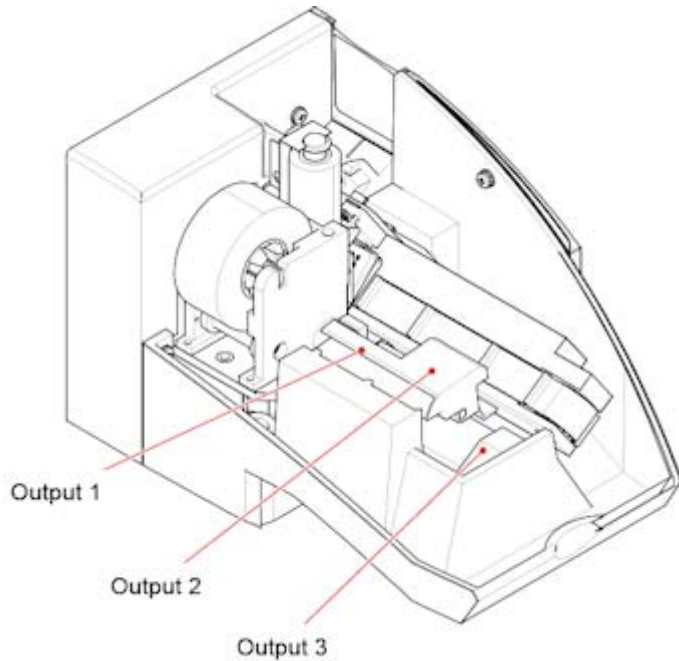
- Connect the USB (Type B) Connector to the back of PrintMate.



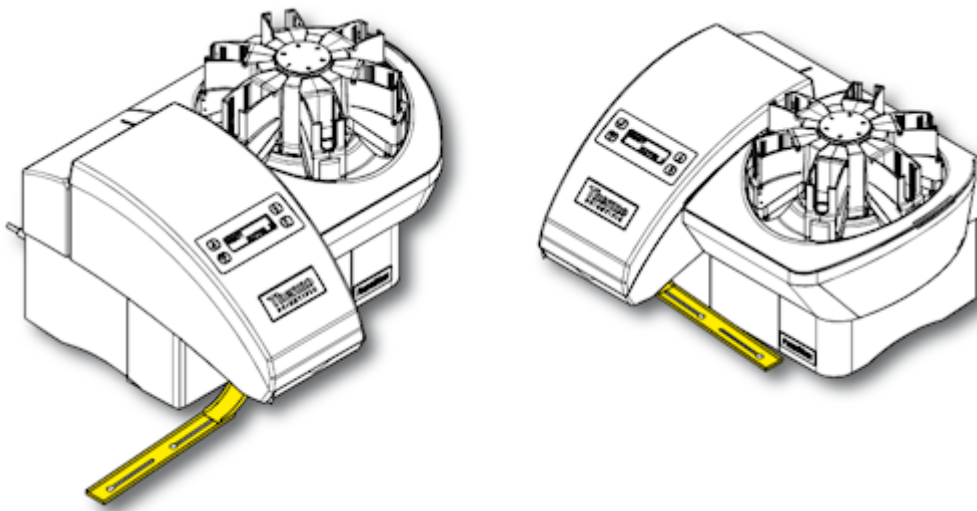
- The PC should emit a chime and indicate that it has found a USB device.
- The LabWriter Application should now be able to be run and setup in accordance with the instructions given in the LabWriter Application Operator Guide (A79510105).

Connecting the Output Chutes

The Output Chutes included with PrintMate fit on either (or both) of the two inner output positions (Outputs 1 and 2).

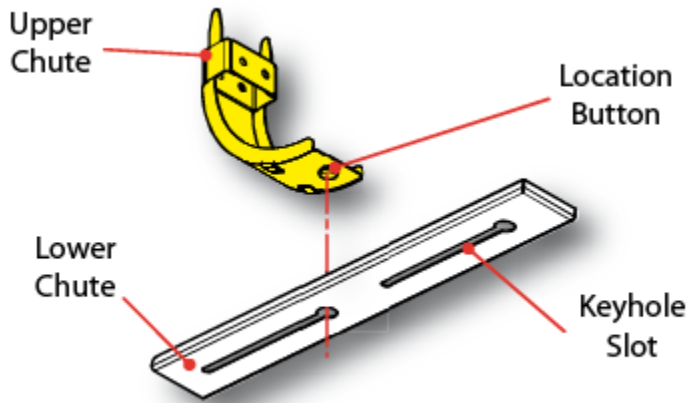


They can be connected so that they dispense either to the left or the right of the instrument as required.

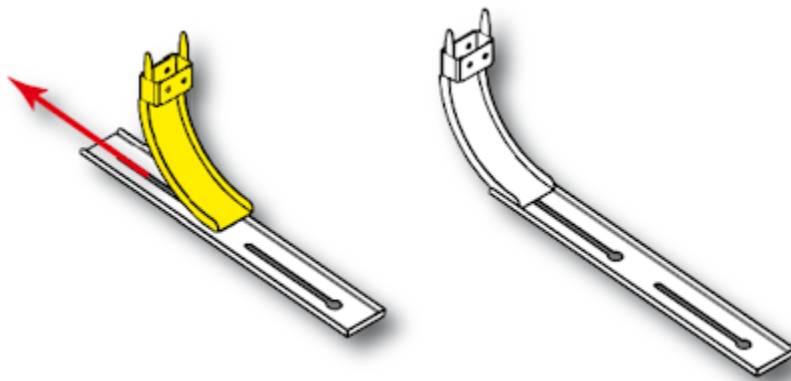


The Output Chutes are assembled and connected as follows:

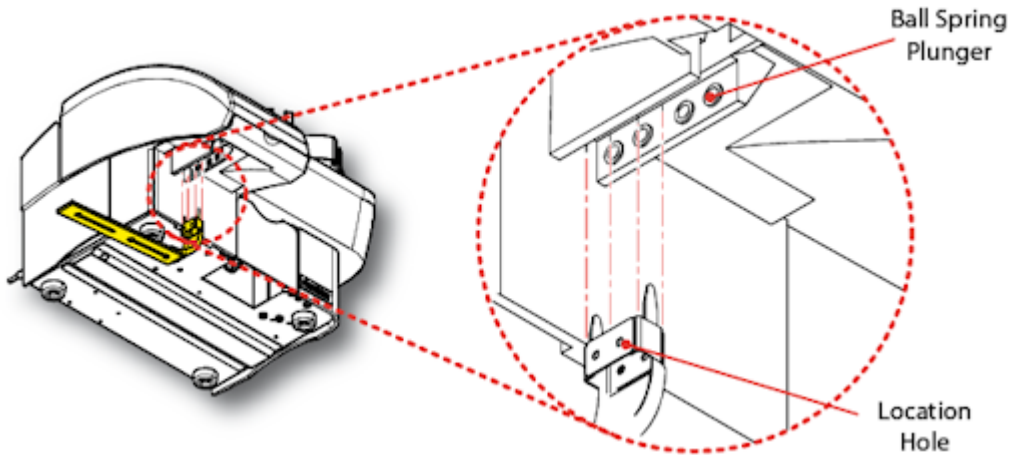
- Fit the Location Button on the Upper Chute into the open end of one of the Keyhole Slots in the Lower Chute.



- Slide the Upper Chute along the Lower Chute so that the two pieces are securely located together.



- The assembled Output Chute(s) should be fitted into the underside of PrintMate so that the Ball Spring Plunger locates fully into the Location Hole.



Warning Failure to ensure correct fitting of the output chute may cause jams.

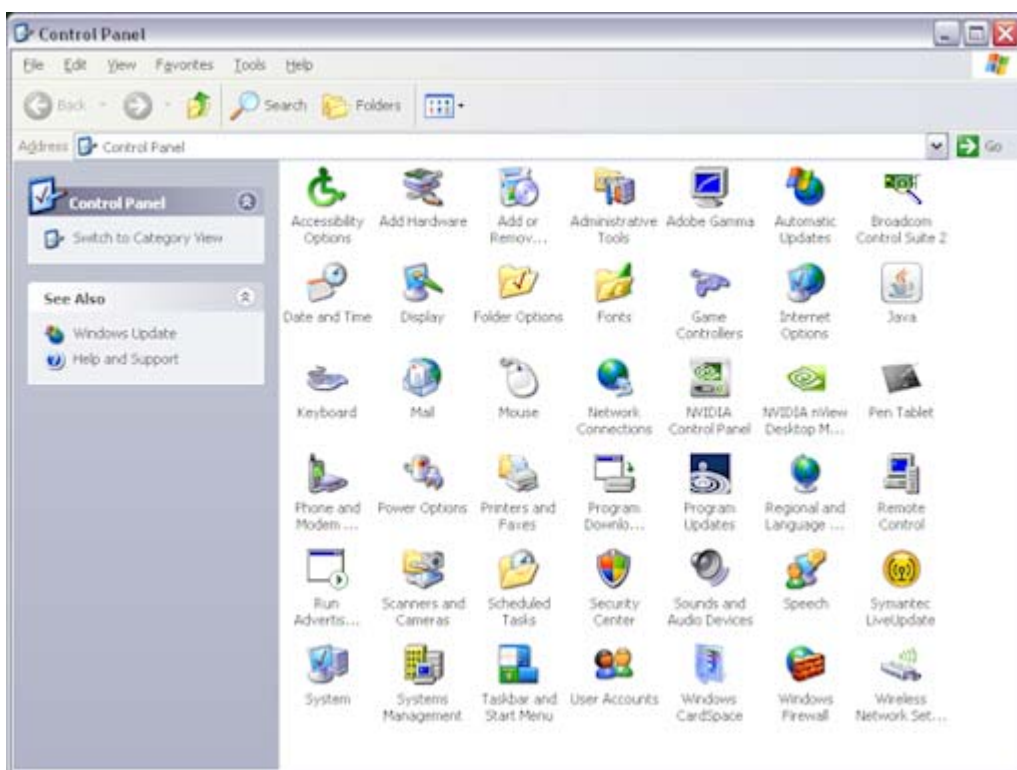
Changing the COM Port Settings

During the LabWriter Installation process (see LabWriter Operator Guide, Chapter 1 - Installing the LabWriter Application) the software should automatically detect the PrintMate and determine the correct COM Port Setting.

However, if LabWriter does not detect the PrintMate instrument the COM Port can be set manually.

The procedure for this is as follows:

- Ensure PrintMate is connected to the PC, is switched on and the Touch Panel Display shows **PrintMate Ready**.
- Open the Windows Control Panel.

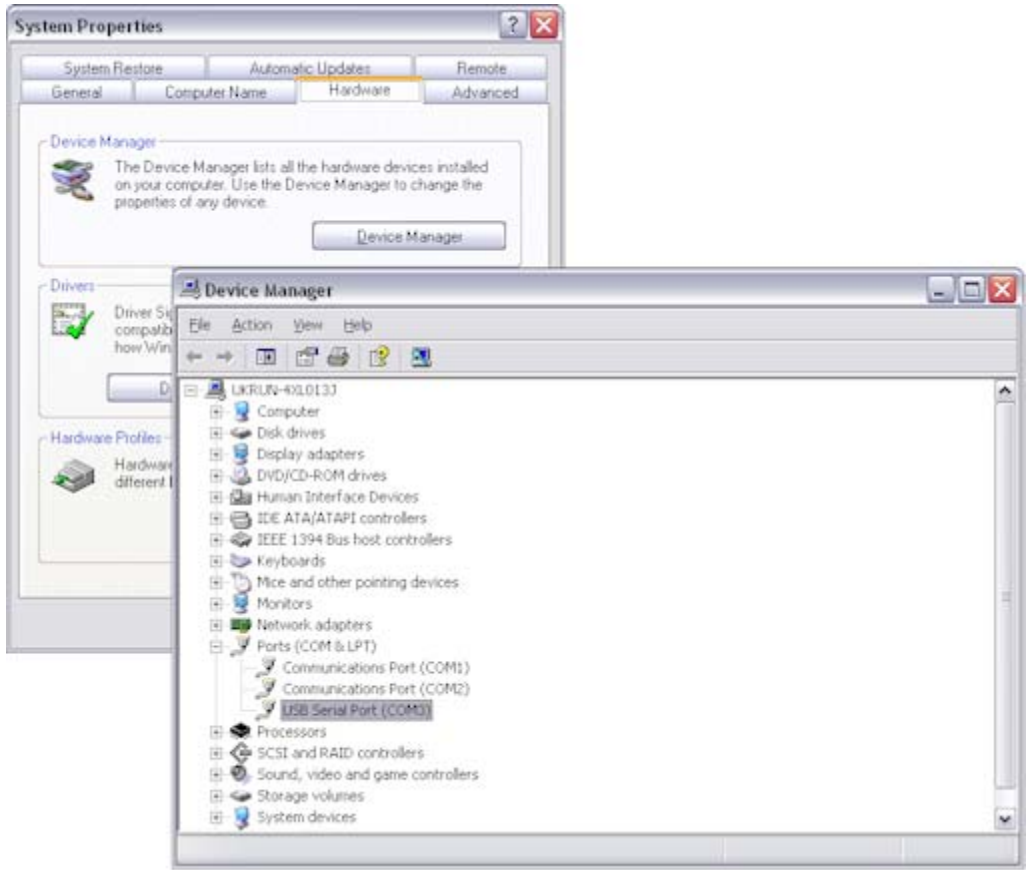


- Double-click on the System icon to display the System Properties window.



System

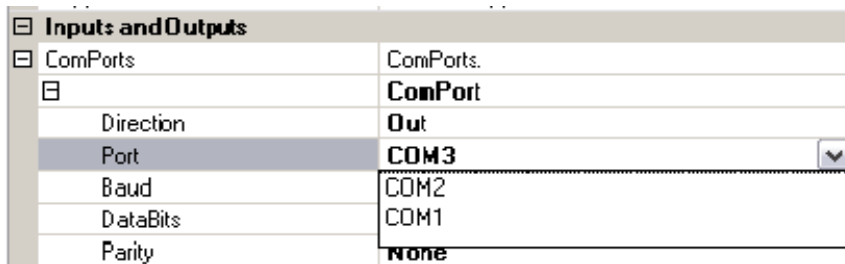
- In the System Properties window click on Device Manager.



- The PrintMate connection will be listed as a **USB Serial Port** with a COM number after it.
- Note the COM Port number that the PrintMate is using.
- Run the LabWriter Application and enter the Admin Area (see LabWriter Operator Guide, Chapter 2 - Admin Logon).
- Click on the Devices Tab.
- Expand the **CassetteMicrowriterMarkII** device and click on the PrintMate Sub-Level Device to display the Device Properties List.



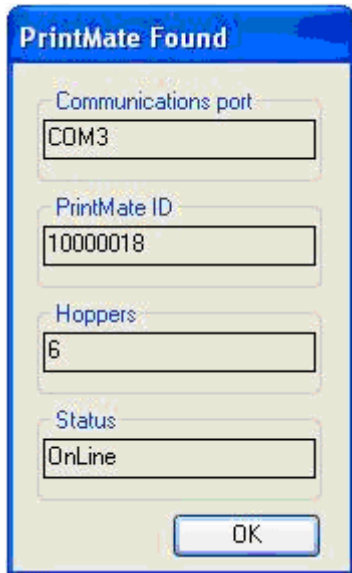
- Expand the COM Port property and select the appropriate COM number from the drop-down list in the field next to Port.



- Click on the Search icon at the top of the screen.



- After a pause LabWriter should display the following window to show that it has found the PrintMate.



- Click OK and then the Save and LogOff button to exit the Admin Area.

Troubleshooting

Carousel Error

<i>Error Message / Symptom</i>	<i>Possible Cause</i>	<i>Remedy</i>
Carousel Error	Obstructions on or around the Carousel.	<ul style="list-style-type: none"> • Check for, and remove if necessary, any obstructions which may be preventing the Carousel from rotating. • Use the Touch Panel or PC to continue.
	Hopper incorrectly seated on the Carousel and catching on casework.	<ul style="list-style-type: none"> • Ensure Hoppers are correctly seated on the Carousel (see Chapter 2 - Loading Hoppers Onto the Carousel). • Use the Touch Panel or PC to continue.
	Dispense lever interfering with Hopper Slider.	<ul style="list-style-type: none"> • Remove the Hopper at the output position and use the Touch Panel or PC to perform a Dispense Cycle and reset the dispense lever. • Replace the Hopper and retry.
	Hidden obstruction.	<ul style="list-style-type: none"> • Remove all Hoppers. • Use the Touch Panel to rotate the Carousel to check for correct operation.
	Instrument Malfunction	Call the Thermo Fisher Scientific Service Department.

Fail to Detect Cassette

<i>Error Message / Symptom</i>	<i>Possible Cause</i>	<i>Remedy</i>
Fail to detect Cassette	Cassette blockage when exiting Hopper.	<ul style="list-style-type: none"> • Open the Print Door and remove any visible Cassette. • Use the Touch Panel or PC to continue.
	Cassette blockage in Hopper.	<ul style="list-style-type: none"> • Remove the Hopper at the output position and use the Touch Panel or PC to perform a Dispense Cycle and reset the dispense lever. • Remove the Cassette Tube and / or any loose Cassettes in the Hopper. • Manually open and close the Hopper Slider a few time to ensure it moves freely. • Carefully reload the Cassettes and refit the Hopper to the Carousel. • Use the Touch Panel or PC to continue.
	Cassette not compatible.	If using a non-approved Cassette, check that they manually dispense properly.
	Other Hopper Malfunction	<ul style="list-style-type: none"> • Fit another Hopper in the output position and check that it operates correctly. • If it does, this indicates that either the Cassettes or the Hopper is faulty.
	Instrument Malfunction	Call the Thermo Fisher Scientific Service Department.

'Hopper Empty' Warning Displayed When Not Empty

<i>Error Message / Symptom</i>	<i>Possible Cause</i>	<i>Remedy</i>
Hopper Empty warning displayed when not empty	Cassette blockage when exiting Hopper.	<ul style="list-style-type: none"> • Open the Print Door and remove any visible Cassette. • Use the Touch Panel or PC to continue.
	Cassette blockage in Hopper.	<ul style="list-style-type: none"> • Remove the Hopper at the output position and use the Touch Panel or PC to perform a Dispense Cycle and reset the dispense lever. • Remove the Cassette Tube and / or any loose Cassettes in the Hopper. • Manually open and close the Hopper Slider a few time to ensure it moves freely. • Carefully reload the Cassettes and refit the Hopper to the Carousel. • Use the Touch Panel or PC to continue.
	Cassette not compatible.	If using a non-approved Cassette, check that they manually dispense properly.
	Other Hopper Malfunction	<ul style="list-style-type: none"> • Fit another Hopper in the output position and check that it operates correctly. • If it does, this indicates that either the Cassettes or the Hopper is faulty.
	Instrument Malfunction	Call the Thermo Fisher Scientific Service Department.

Dispense Error

<i>Error Message / Symptom</i>	<i>Possible Cause</i>	<i>Remedy</i>
Dispense error	Cassette blockage when exiting Hopper.	<ul style="list-style-type: none"> • Open the Print Door and remove any visible Cassette. • Use the Touch Panel or PC to continue.
	Cassette blockage in Hopper.	<ul style="list-style-type: none"> • Remove the Hopper at the output position and use the Touch Panel or PC to perform a Dispense Cycle and reset the dispense lever. • Remove the Cassette Tube and / or any loose Cassettes in the Hopper. • Manually open and close the Hopper Slider a few time to ensure it moves freely. • Carefully reload the Cassettes and refit the Hopper to the Carousel. • Use the Touch Panel or PC to continue.
	Cassette not compatible.	If using a non-approved Cassette, check that they manually dispense properly.
	Other Hopper Malfunction	<ul style="list-style-type: none"> • Fit another Hopper in the output position and check that it operates correctly. • If it does, this indicates that either the Cassettes or the Hopper is faulty.
	Instrument Malfunction	Call the Thermo Fisher Scientific Service Department.

Dispense Lever Fails to Reset

<i>Error Message / Symptom</i>	<i>Possible Cause</i>	<i>Remedy</i>
Dispense lever fails to reset	Cassette blockage when exiting Hopper.	<ul style="list-style-type: none"> • Open the Print Door and remove any visible Cassette. • Use the Touch Panel or PC to continue.
	Cassette blockage in Hopper.	<ul style="list-style-type: none"> • Remove the Hopper at the output position and use the Touch Panel or PC to perform a Dispense Cycle and reset the dispense lever. • Remove the Cassette Tube and / or any loose Cassettes in the Hopper. • Manually open and close the Hopper Slider a few time to ensure it moves freely. • Carefully reload the Cassettes and refit the Hopper to the Carousel. • Use the Touch Panel or PC to continue.
	Cassette not compatible.	If using a non-approved Cassette, check that they manually dispense properly.
	Other Hopper Malfunction	<ul style="list-style-type: none"> • Fit another Hopper in the output position and check that it operates correctly. • If it does, this indicates that either the Cassettes or the Hopper is faulty.
	Instrument Malfunction	Call the Thermo Fisher Scientific Service Department.

Conveyor Error

<i>Error Message / Symptom</i>	<i>Possible Cause</i>	<i>Remedy</i>
Conveyor error	Cassette misfeed on Conveyor.	<ul style="list-style-type: none"> • Open the Print Door and remove any visible Cassette. • Use the Touch Panel or PC to continue.
	Cassette Clamp not retracting fully.	<ul style="list-style-type: none"> • Press the top of the Clamp Solenoid down and then release. • The central bolt should return to the top position. • If it does not return fully, place a Cassette on the Conveyor and manually move it under the Cassette Clamp. • If the Cassette touches the Cassette Clamp it is faulty. • Call the Thermo Fisher Scientific Service Department.

Output Error

<i>Error Message / Symptom</i>	<i>Possible Cause</i>	<i>Remedy</i>
Output error	Cassette misfeed into Output Drum.	<ul style="list-style-type: none"> • Open Print Door. • Manually rotate Output Drum and remove any Cassettes. • Check that no Cassettes are trapped under the Output Drum or Conveyor block. • Use the Touch Panel or PC to continue.
	Cassette caught on Output Chute guides.	<ul style="list-style-type: none"> • Check that Output Chutes are correctly fitted and realign if necessary (see Chapter 3 - Connecting the Output Chutes). • Check that the side-guides on the Output Chute are not bent inwards and interfering with the Cassette as it exits.

Output Drum Error

<i>Error Message / Symptom</i>	<i>Possible Cause</i>	<i>Remedy</i>
Output Drum error	Cassette misfeed into Output Drum.	<ul style="list-style-type: none"> • Open Print Door. • Manually rotate Output Drum and remove any Cassettes. • Check that no Cassettes are trapped under the Output Drum or Conveyor block. • Use the Touch Panel or PC to continue.
	Cassette caught on Output Chute guides.	<ul style="list-style-type: none"> • Check that Output Chutes are correctly fitted and realign if necessary (see Chapter 3 - Connecting the Output Chutes). • Check that the side-guides on the Output Chute are not bent inwards and interfering with the Cassette as it exits.

Loud Knocking Noise On Power-Up

<i>Error Message / Symptom</i>	<i>Possible Cause</i>	<i>Remedy</i>
Loud knocking noise on power-up	Transit Fixing has not been removed.	<ul style="list-style-type: none"> • Ensure instrument is switched off. • Open the Print Door and remove the Transit Fixing (see Chapter 3 - Unpacking).
	Cassette trapped in unit.	<ul style="list-style-type: none"> • Open Print Door and remove any visible Cassettes. • Rotate the Output Drum to ensure it is not being obstructed by Cassettes. • Restart the instrument.
	Hopper preventing Carousel rotation.	<ul style="list-style-type: none"> • Remove all Hoppers. • Restart the instrument.

Instrument Not Responding

<i>Error Message / Symptom</i>	<i>Possible Cause</i>	<i>Remedy</i>
Instrument not responding	Software error.	<ul style="list-style-type: none"> • Check connections. • Switch off PrintMate, wait 5 seconds then switch back on. • Wait until the Touch Panel Display says PrintMate Ready before resuming operation.
		<ul style="list-style-type: none"> • Close down the LabWriter Application and restart it.
		<ul style="list-style-type: none"> • Switch off PrintMate. • Close down the LabWriter Application. • Reboot the PC. • Restart the LabWriter Application and PrintMate. • Check that the COM Port Settings for LabWriter are correct.

Computer Not Responding

<i>Error Message / Symptom</i>	<i>Possible Cause</i>	<i>Remedy</i>
Computer not responding	Software error.	<ul style="list-style-type: none"> • Check connections. • Close down the LabWriter Application and restart it.
		<ul style="list-style-type: none"> • Hold down Ctrl + Alt + Delete to display the Windows Security dialog box. • Select Task Manager. • In the Applications Tab highlight LabWriter and select End Task.
		<ul style="list-style-type: none"> • Switch off PrintMate. • Close down the LabWriter Application. • Reboot the PC. • Restart the LabWriter Application and PrintMate.

Tape Errors

<i>Error Message / Symptom</i>	<i>Possible Cause</i>	<i>Remedy</i>
Tape errors	Tape feed error	<ul style="list-style-type: none"> • Check whether Tape has run out and replace if necessary (see Chapter 2 - Changing the Foil Tape). • Check whether Tape is slack - use the Tape Feed function on the Touch Panel to remove any slack if present. • Check Tape is fed through instrument correctly (see Chapter 2 - Changing the Foil Tape). • Check Waste Spool rotates after each Cassette is printed - If Waste Spool does not rotate call the Thermo Fisher Scientific Service Department. • Cut Tape and remove used section from the Waste Spool. Refeed remaining unused Tape as per Chapter 2 - Changing the Foil Tape.

Poor Print Quality

<i>Error Message / Symptom</i>	<i>Possible Cause</i>	<i>Remedy</i>
Poor print quality	Cassette colour.	Check that Cassette colour is included on Appendix C - Approved Cassette List.

No Print

<i>Error Message / Symptom</i>	<i>Possible Cause</i>	<i>Remedy</i>
No Print	Transit Fixing has not been removed.	<ul style="list-style-type: none"> • Switch off PrintMate. • Open Print Door. • Remove Transit Fixing as shown in Chapter 3 - Setting Up PrintMate.
	Cassette or debris obstructing Print Head movement.	<ul style="list-style-type: none"> • Open Print Door and check under Cassette Clamp for jammed Cassette or debris. • Remove Cassette or debris as required.
	Tape roll finished.	<ul style="list-style-type: none"> • Open Print Door and replace Tape (see Chapter 2 - Changing the Foil Tape).
	Tape jammed.	<ul style="list-style-type: none"> • Open Print Door and Waste Spool Access. • Use Tape Feed function on Touch Panel to check that Tape feeds correctly. • If Tape does not feed remove and refit Tape (see Chapter 2 - Changing the Foil Tape)
	Cassette Clamp error.	<ul style="list-style-type: none"> • Open Print Door and print a Cassette. • Check Cassette is held securely during printing and does not move until the Cassette Clamp releases it. • If movement is seen call the Thermo Fisher Scientific Service Department.
	Instrument Malfunction.	<ul style="list-style-type: none"> • Call the Thermo Fisher Scientific Service Department.

Part of Print is Missing

<i>Error Message / Symptom</i>	<i>Possible Cause</i>	<i>Remedy</i>
Part of print is missing.	Print Template set up incorrectly.	<ul style="list-style-type: none"> • Ask Administrator to check Print Template setup. • Use Print to Screen function to check print layout.
	Tape jammed.	<ul style="list-style-type: none"> • Open Print Door and Waste Spool Access. • Use Tape Feed function on Touch Panel to check that Tape feeds correctly. • If Tape does not feed remove and refit Tape (see Chapter 2 - Changing the Foil Tape).
	Cassette Clamp error.	<ul style="list-style-type: none"> • Open Print Door and print a Cassette. • Check Cassette is held securely during printing and does not move until the Cassette Clamp releases it. • If movement is seen call the Thermo Fisher Scientific Service Department.
	Print Head obstructed.	<ul style="list-style-type: none"> • Open Print Door and check under Cassette Clamp for debris.
	Incompatible Cassette.	<ul style="list-style-type: none"> • Check that Cassette type is included on Appendix C - Approved Cassette List.
	Instrument Malfunction.	<ul style="list-style-type: none"> • Call the Thermo Fisher Scientific Service Department.

Lower Line of Print is Misaligned

<i>Error Message / Symptom</i>	<i>Possible Cause</i>	<i>Remedy</i>
Lower line of print is misaligned	Print Template set up incorrectly.	<ul style="list-style-type: none"> • Ask Administrator to check Print Template setup. • Use Print to Screen function to check print layout.
	Tape jammed.	<ul style="list-style-type: none"> • Open Print Door and Waste Spool Access. • Use Tape Feed function on Touch Panel to check that Tape feeds correctly. • If Tape does not feed remove and refit Tape (see Chapter 2 - Changing the Foil Tape).
	Cassette Clamp error.	<ul style="list-style-type: none"> • Open Print Door and print a Cassette. • Check Cassette is held securely during printing and does not move until the Cassette Clamp releases it. • If movement is seen call the Thermo Fisher Scientific Service Department.
	Print Head obstructed.	<ul style="list-style-type: none"> • Open Print Door and check under Cassette Clamp for debris.
	Incompatible Cassette.	<ul style="list-style-type: none"> • Check that Cassette type is included on Appendix C - Approved Cassette List.
	Instrument Malfunction.	<ul style="list-style-type: none"> • Call the Thermo Fisher Scientific Service Department.

Print is Faint

<i>Error Message / Symptom</i>	<i>Possible Cause</i>	<i>Remedy</i>
Print is faint	Cassette Clamp error.	<ul style="list-style-type: none"> • Open Print Door and print a Cassette. • Check Cassette is held securely during printing and does not move until the Cassette Clamp releases it. • If movement is seen call the Thermo Fisher Scientific Service Department.
	Tape jammed.	<ul style="list-style-type: none"> • Open Print Door and Waste Spool Access. • Use Tape Feed function on Touch Panel to check that Tape feeds correctly. • If Tape does not feed remove and refit Tape (see Chapter 2 - Changing the Foil Tape).
	Incompatible or old Tape.	Replace Tape with approved spare (see Appendix A - Spares and Accessories).
	Incompatible Cassette.	Check that Cassette type is included on Appendix C - Approved Cassette List.
	Instrument Malfunction.	Call the Thermo Fisher Scientific Service Department.

Print Rubs Off Cassette Easily

<i>Error Message / Symptom</i>	<i>Possible Cause</i>	<i>Remedy</i>
Print rubs off Cassette easily	Cassette Clamp error.	<ul style="list-style-type: none"> • Open Print Door and print a Cassette. • Check Cassette is held securely during printing and does not move until the Cassette Clamp releases it. • If movement is seen call the Thermo Fisher Scientific Service Department.
	Tape jammed.	<ul style="list-style-type: none"> • Open Print Door and Waste Spool Access. • Use Tape Feed function on Touch Panel to check that Tape feeds correctly. • If Tape does not feed remove and refit Tape (see Chapter 2 - Changing the Foil Tape).
	Incompatible or old Tape.	Replace Tape with approved spare (see Appendix A - Spares and Accessories).
	Incompatible Cassette.	Check that Cassette type is included on Appendix C - Approved Cassette List.
	Instrument Malfunction.	Call the Thermo Fisher Scientific Service Department.

Barcodes Will Not Scan

<i>Error Message / Symptom</i>	<i>Possible Cause</i>	<i>Remedy</i>
Barcodes will not scan	Print Template set up incorrectly.	<ul style="list-style-type: none"> • Ask Administrator to check Print Template setup. • Use Print to Screen function to check print layout.
	Barcode Reader error.	<ul style="list-style-type: none"> • See Chapter 2 - Barcode Reader Troubleshooting.
	Cassette Clamp error.	<ul style="list-style-type: none"> • Open Print Door and print a Cassette. • Check Cassette is held securely during printing and does not move until the Cassette Clamp releases it. • If movement is seen call the Thermo Fisher Scientific Service Department.
	Software error.	<ul style="list-style-type: none"> • Call the Thermo Fisher Scientific Service Department.
	Instrument Malfunction.	<ul style="list-style-type: none"> • Call the Thermo Fisher Scientific Service Department.

Print Contains Incorrect Information

<i>Error Message / Symptom</i>	<i>Possible Cause</i>	<i>Remedy</i>
Print contains incorrect information	Print Template set up incorrectly.	<ul style="list-style-type: none"> • Ask Administrator to check Print Template setup. • Use Print to Screen function to check print layout.
	Software error.	<ul style="list-style-type: none"> • Call the Thermo Fisher Scientific Service Department.
	Instrument Malfunction.	<ul style="list-style-type: none"> • Call the Thermo Fisher Scientific Service Department.

Cleaning and Maintenance

Cleaning Procedure

To ensure continuous reliable operation the following cleaning procedures should be carried out on a weekly basis:

- Use damp cloth and a 10% commercial, Hypochlorite bleach solution in water to wipe the outer covers and Output Chutes (if fitted).



Warning Never use solvents on the covers as these may discolour the plastic parts.

- Use a vacuum cleaner with a non-metallic nozzle to remove any accumulated dust from the internal areas.



Warning Cassette pre-heat area may be hot.

Safety

Before carrying out any cleaning or maintenance procedures the user must have read and understood the following statements:



Warning If the Instrument has been used with, or has come into contact with, hazardous material, ensure that the appropriate decontamination procedures have been followed (See World Health Organization ’Laboratory Biosafety Manual').



Warning Cleaning or decontamination methods, other than those recommended in this document, should be checked with a Thermo Fisher Scientific agent to ensure that they will not damage the instrument.



Harmful Always wear suitable protective coverings when carrying out cleaning using chemicals.



Warning Do not use chemicals which may interact with the materials of manufacture - If in doubt contact your Thermo Fisher Scientific agent.



Warning Do not use hypochlorites in strong solution.



Warning Do not use abrasive compounds or metal components to clean the Instrument or its accessories.



Warning Always clean up spills immediately.



Warning In the event of a major spillage on or around the Instrument, immediately disconnect the instrument from the Mains supply, and do not reconnect until the instrument has been thoroughly dried and checked by a Thermo Fisher Service Engineer.



Warning Potentially lethal voltages in excess of 110VAC are present within the Instrument - Do not remove any access covers.



Warning Disconnect the Instrument from the Mains before cleaning.

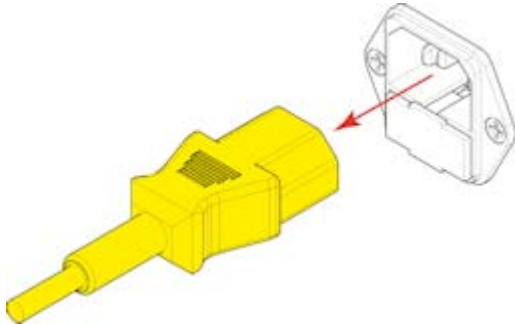


Warning Inspect the instrument for obvious damage or wear whenever it is being cleaned.

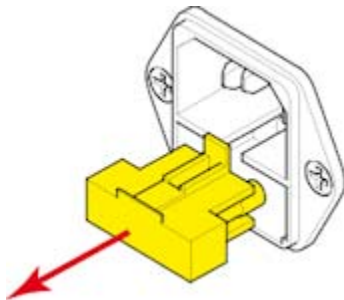
Changing Fuses

To replace the fuses:

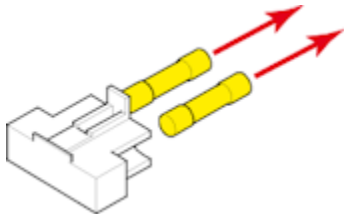
- Disconnect the Power Lead from the Mains Power Supply.
- Remove the Power Lead from the Power Connector.



- Remove the Fuse Drawer.



- Remove the Fuses.



- Replace with approved Fuses (see Appendix A).

Note

Always replace fuses as a pair.

Note

Only a technically competent person should replace fuses.

Appendices

Appendix A - Spares and Accessories

Spares and Accessories list

<i>Item</i>	<i>Order Number</i>
Hot Foil Tape (Pk. of 5)	A79510013
Collection System	A79510014
Basic LabWriter Software CD	A79510018
PC with Preloaded LabWriter Software	A79510021
Collection Trays (Pk. of 4)	A79510022
Guide Chute with Extension	A79510023
Hopper (1 off)	A79510024
PrintMate Operator Guide	A79510100
LabWriter Operator Guide	A79510105
Fuse	A79510045

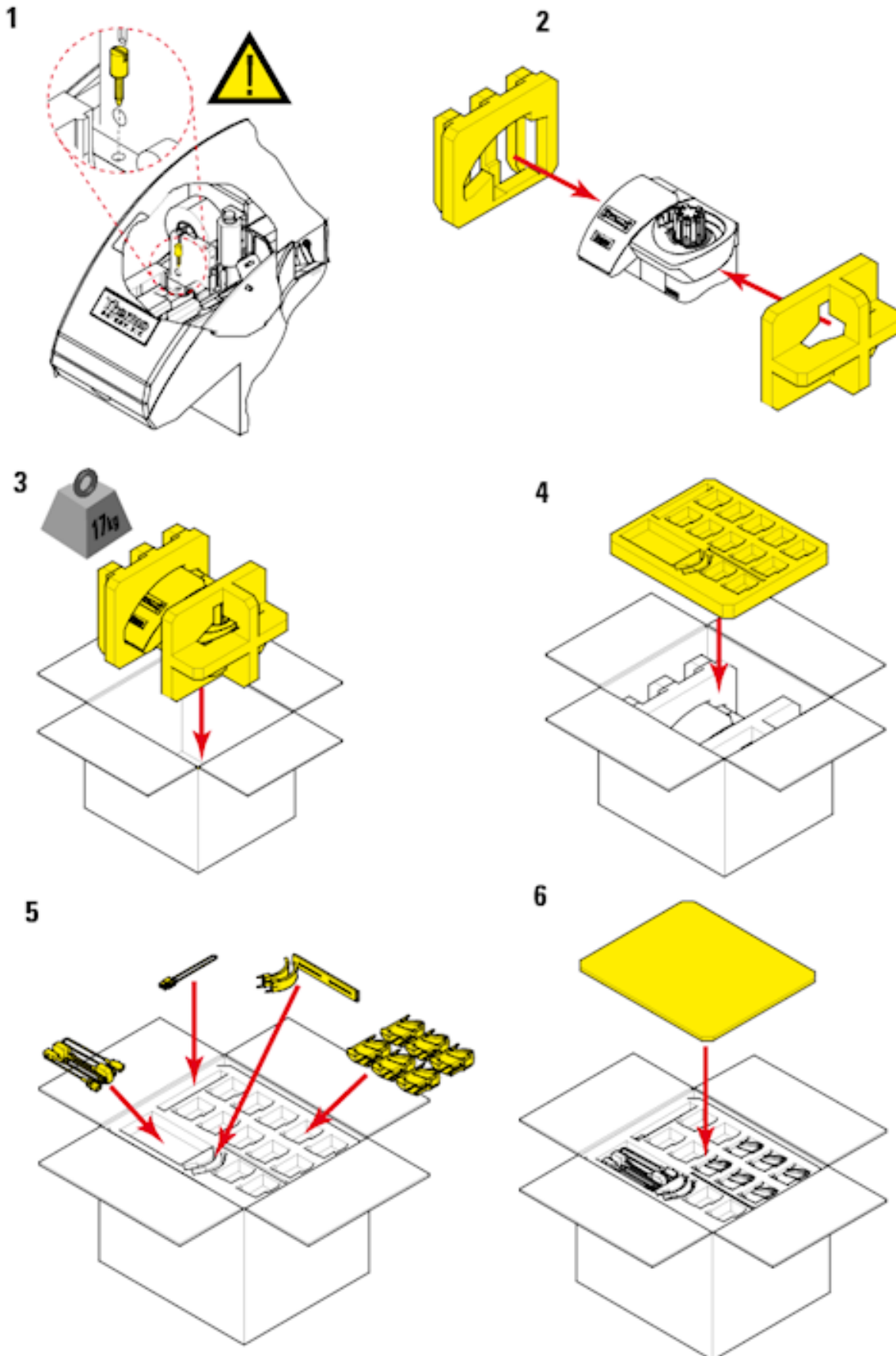
Upgrade items list

<i>Item</i>	<i>Order Number</i>
Upgrade Kit (2 to 6 hopper)	A79510015
Upgrade Kit (2 to 12 hopper)	A79510016
Upgrade Kit (6 to 12 hopper)	A79510017
LabWriter Interface Developer Package	A79510019
LabWriter Advanced Software	A79510020

Appendix B - Repacking Instructions

Note

Before repacking the PrintMate use the Touch Panel to move the Print Head to the Transit position.



Appendix C - Approved Cassette List

Approved Cassette Types

The following Cassette types have been approved for use with the Thermo Scientific PrintMate:

- Shandon Biopsy Processing/Embedding Cassette Type II
- Shandon Processing/Embedding Cassette Type II
- Shandon Embedding Cassette
- Shandon Tissue Cassette Type IV
- Shandon Microsette Biopsy Cassettes
- Shandon Micromesh Biopsy Cassette
- Shandon Cassette (with attached lid)
- Shandon Cassette (with attached lid)
- Uni-Cassettes
- R.A. Lamb Cassettes

Warning Use of Cassettes not on this list may cause poor performance and / or damage to the instrument.

Approved Cassette Colours

- White (WH)
- Pink (PK)
- Green (GR)
- Yellow (YW)
- Blue (BL)
- Grey (GY)
- Orange (OR)
- Peach (PE)
- Tan (TN)
- Lilac (LI)
- Aqua (AQ)
- Fluorescent Green (FGR)
- Fluorescent Pink (FPK)
- Fluorescent Yellow (FYW)

Warning Use of colours not listed above may cause print to become unreadable.

Index

9

9-Pin Serial Port7

A

Accessories1

Altitude10

B

Barcode

 2-Dimensional29

 Linear.....29

Barcode Reader.....24

 Configuring28

 Safety25

 Setup.....26

 Symbol®24

 Troubleshooting.....30

Battery.....1

C

Carousel7

Cassette Clamp.....7

Cassette Hopper7

Cassette Tube7

Chemical Safety.....1

Chute, Output39

Cleaning.....64

Collection System Connector7

COM Port Setting.....41

Connector

 Power.....37

 RJ-4526

 USB (Type A)37

 USB (Type B)37

Conveyor Belt7

D

Depth.....10

E

Earth Leakage 10

Electrical Safety..... 1

Electrical Specification 10

Environment..... 1

Environmental Specification 10

F

Foil Tape

 Fitting 21

 Removing..... 20

Frequency 10

Fuse 7, 10, 65

 Drawer 65

 Replacement..... 65

G

General Safety..... 1

H

Height 10

Hopper

 Loading Cassette Tubes 12, 15

 Loading Onto Carousel 18

 Loading Single Cassettes..... 17

Hot Foil Tape..... 7

How To Use This Guide 5

Humidity, Relative 10

K

Keyhole Slot 39

L

LabWriter Application 9, 41

LCD Display 31

Leader, Tape 21

Legal Information 3

List of parts..... 7

Location

Button39
 Hole.....39
 Hook18
 Recess18

M

Mains Power Supply.....1
 Maintenance Contract.....1
 Mechanical Specification10

O

Operating Limits, Temperature10
 Output
 Chute.....39
 Drum.....39
 Position.....39
 Output Drum7
 Over Voltage Category10

P

Parts, Identification7
 Parts, Replacement1
 PC.....37
 Pollution Degree10
 Port, COM41
 Power10
 Connector.....37
 Lead.....37
 Supply, Mains.....37
 Power Connector7
 Power Switch.....7
 Print Door.....7
 Print Head7
 PrintMate 150.....6
 PrintMate 450.....6
 PrintMate 900.....6
 Product Return Safety Declaration1

R

Reagent5, 1

Recommended Operation, Temperature..... 10
 Relative Humidity 10
 Replacement Parts..... 1
 Returns, Product..... 1
 RoHS Directive 1

S

Safety Information 1
 Service Contracts 1
 Spool
 Load 21
 Waste 20
 Waste, Access 20
 Waste, Shaft 21

Stand

 Assembly Instructions 26
 Cradle 26
 Sticky Tab 21
 Storage, Temperature..... 10
 Symbols 5
 System Interaction 9
 System Specification 10

T

Temperature 10
 'T'-Groove..... 18

T

Touch Panel and Display 7, 9
 Transit Fixing Screw 33

Troubleshooting

 Barcode Reader..... 30

U

USB Connection 7

V

Voltage 10

W

Warnings 5, 1

Warranty Statement 1
Waste Spool20
 Access.....7, 20
 Shaft21

WEEE Directive 1
Weight..... 10
Width 10

