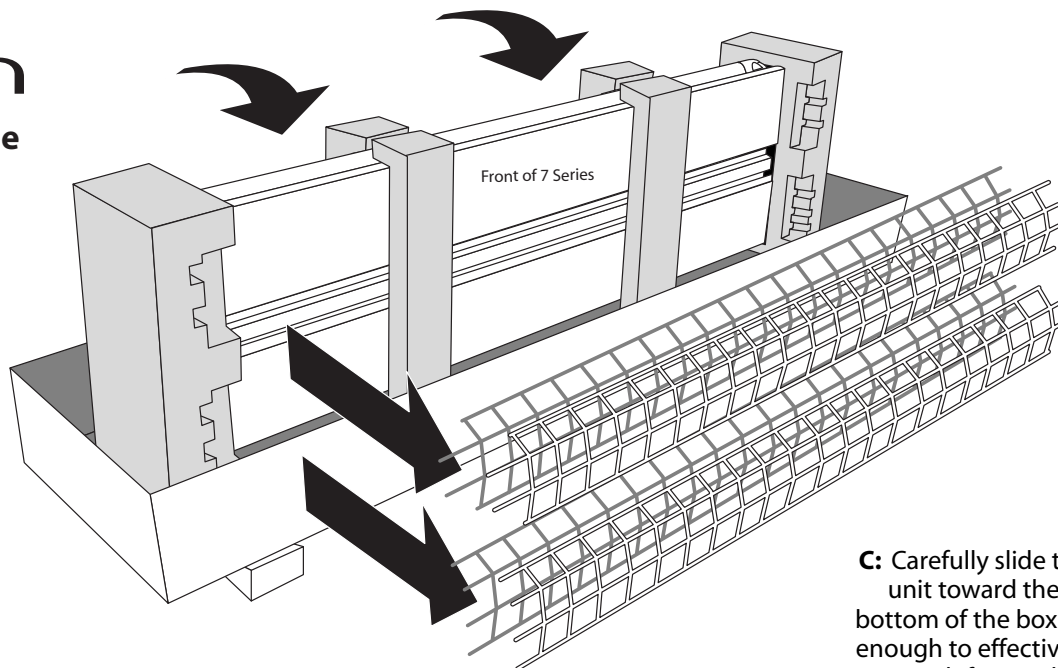


# Daavlin

## 7 Series Installation Guide

**Step 1**

Roll unit onto its side. Remove grids from foam padding and place in secure location until needed.



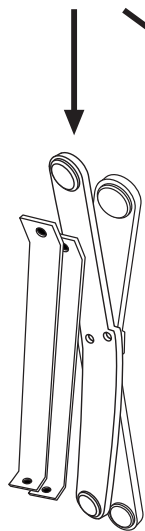
**C:** Carefully slide the unit toward the bottom of the box far enough to effectively attach feet and stabilizer bars.

**Step 2**

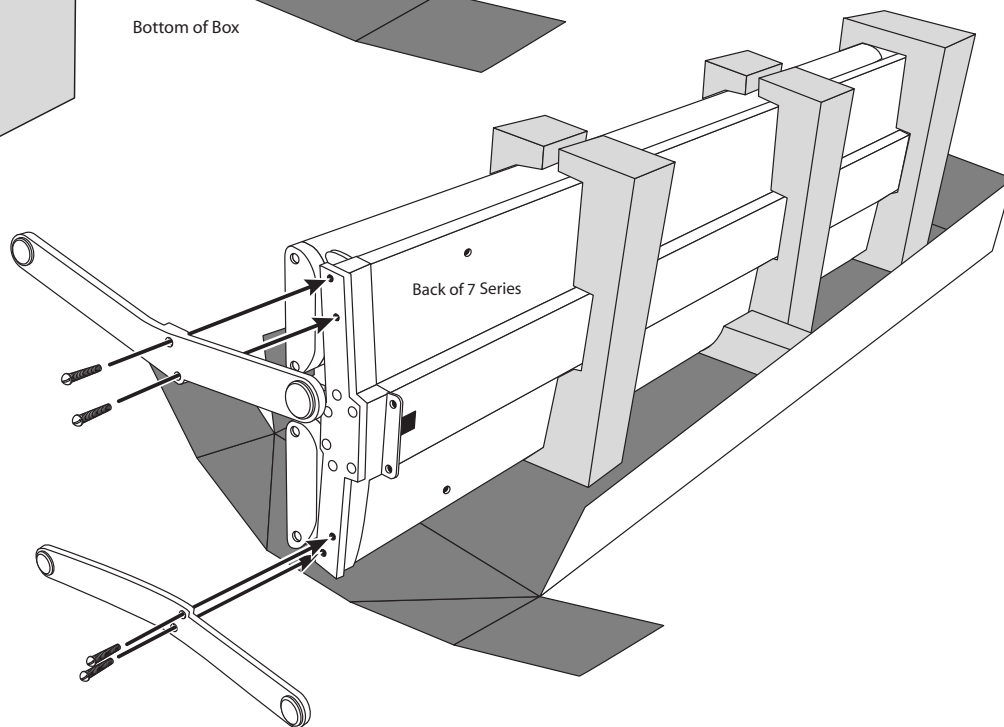
**A:** Unfold bottom of box. (Bottom of box is where the stabilizer bars and feet are stored)

**B:** Remove stabilizer bars and feet and set aside.

Remove foam padding from bottom of unit.



Bottom of Box

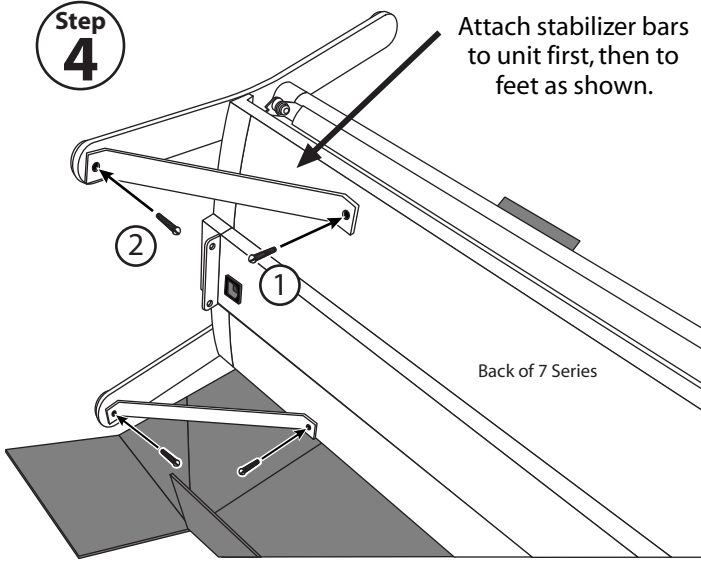


**Step 3**

Attach feet to the bottom of unit. To ensure the stability of the unit, be sure to place feet at the proper angle as shown.

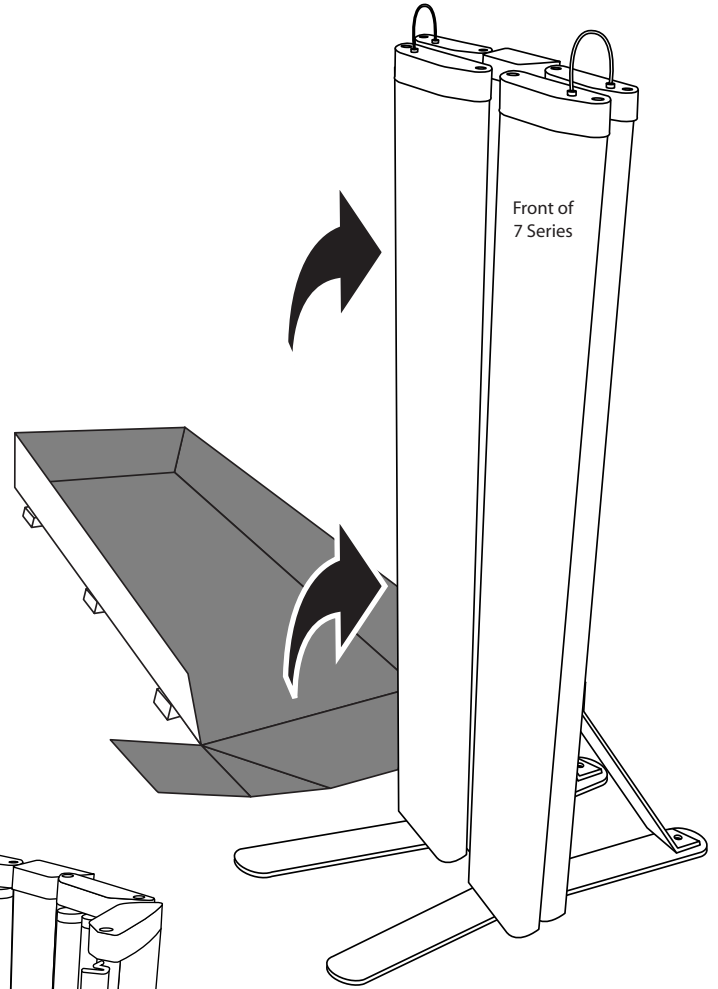
**Step 4**

Attach stabilizer bars to unit first, then to feet as shown.



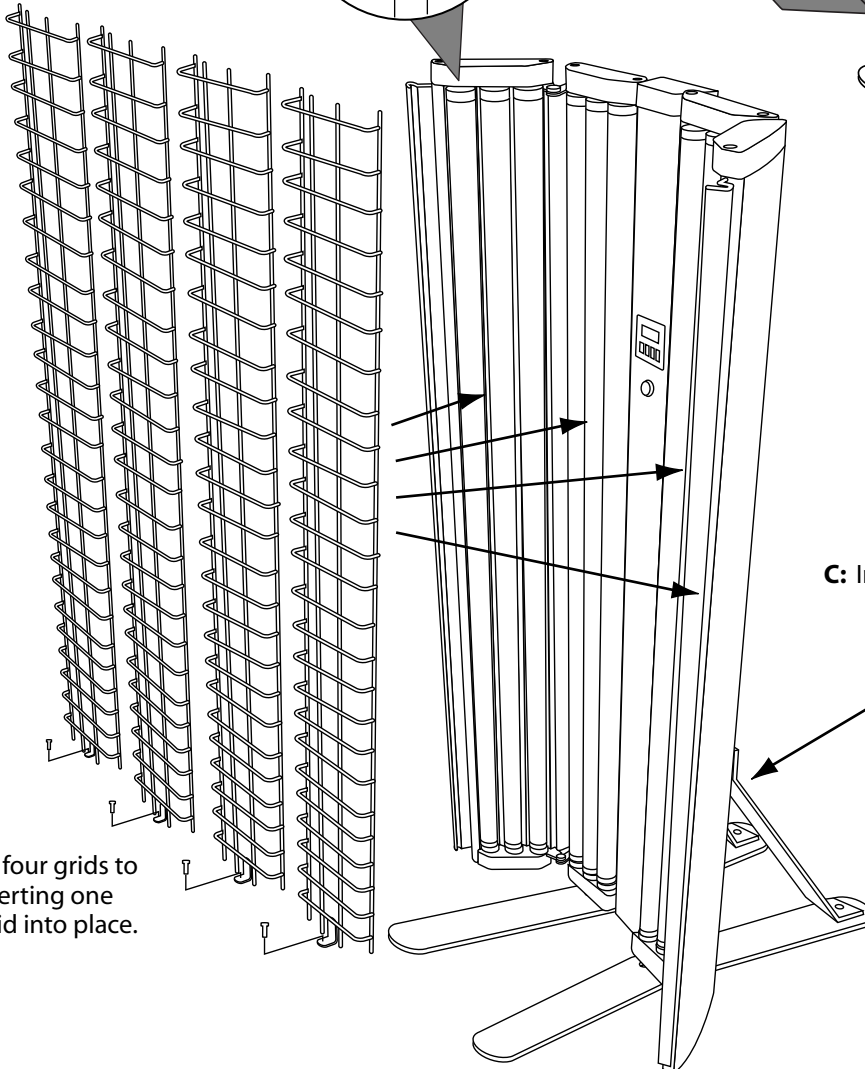
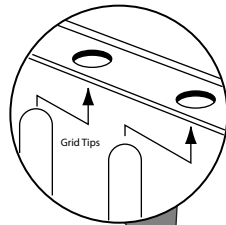
**Step 5**

Carefully raise the unit onto its feet so it sets securely upright.



**Step 6**

**A:** Attach all four grids to unit by placing grid tips into the pre-drilled holes. Insert top of grid first, then bottom.



**B:** Secure all four grids to unit by inserting one screw per grid into place.

**C:** Insert power cord and begin using your 7 Series.

