

Triple Transducer Connect

Assembly Instructions P15970-02

Overview

These instructions describe assembly of the Triple Transducer Connect (TTC) on the V-Universal Stand with the S Series ultrasound system.

See the stand's user guide for information on cleaning, disinfecting, and storing the TTC.

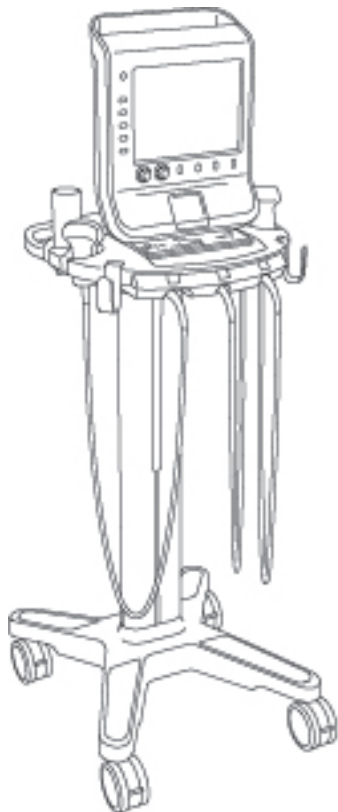


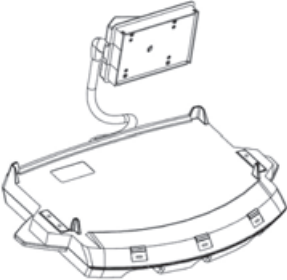
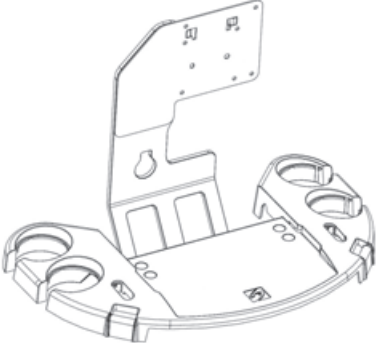




Figure 1 Triple Transducer Connect (TTC) on the V-Universal Stand with the S Series ultrasound system

Contents

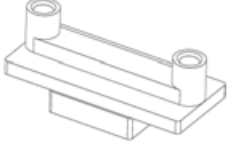
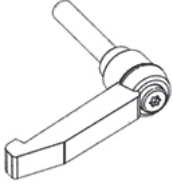



Assembly requires a #2 Phillips screwdriver (not included).

Note: Illustrations are not to scale.

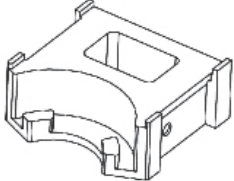
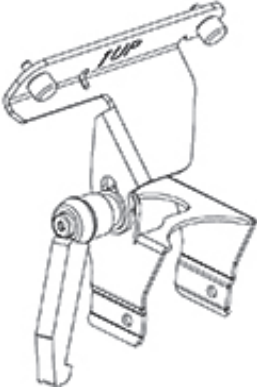

TTC and cover

Description (Quantity)	Illustration	Description (Quantity)	Illustration
TTC (1)		TTC cover (with mounting bracket) (1)	
1/2" Allen- head screw (4)		Snap cover (2)	
Cable hook (2)		Cup (4)	

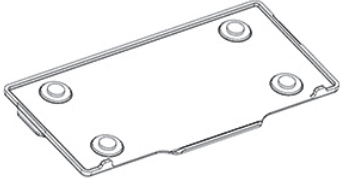


Handle

Description (Quantity)	Illustration	Description (Quantity)	Illustration
Nut plate (1)		Lever (1)	
Handle (1)		20mm Allen-head screw (2)	
Washer (2)			


Clamp

Description (Quantity)	Illustration	Description (Quantity)	Illustration
Rotation limit bracket (1)		Clamp assembly with lever (1)	
8mm Phillips-head screw (2)			

Keypad (optional)

Description (Quantity)	Illustration	Description (Quantity)	Illustration
Keypad tray(1) (included with all kits)		Keypad (1) (optional)	
Keypad cord clip (1)			

Tools

Description (Quantity)	Illustration
5/32" Allen wrench (1)	

Preassembly

Prepare the stand

- 1 Lock the wheels.
- 2 Remove any transducer attached to the system.
- 3 Turn off and remove the ultrasound system, if attached.
- 4 Remove the optional tray and all attachments and peripherals (for example, the basket or the printer shelf) from the stand.

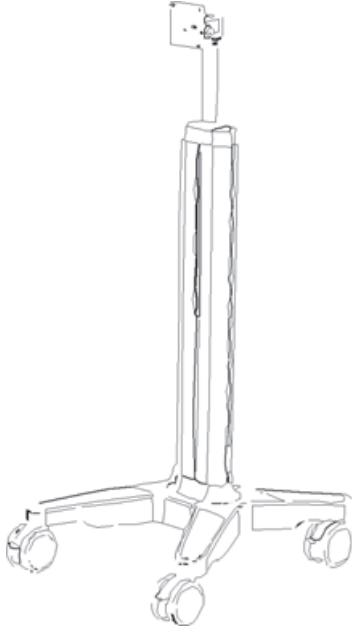


Figure 2 Stand with all peripherals removed

Assembly

1 Install the handle

- 1 Remove the existing lever from the top back of the column: turn the lever counterclockwise until it loosens.

Caution: Pole could rise quickly.

- 2 Discard the lever.


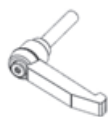
- 3 Insert the nut plate  into the groove at the lower back of the column, and slide the nut plate up the column. The rubber side of the nut plate faces toward the inside of the column [Figure 3](#) on page 5.



Figure 3 Inserting the nut plate into the groove at the back of the column and sliding it up the column

- 4 Place the handle mount against the column onto the nut plate, and slide it to the top of the column. The nut plate slides up the column along with the handle mount.

Make sure that the hole on the handle aligns with the hole for the lever at the top of the column.



- 5 Insert the new lever in the hole on the handle, and turn clockwise until secure.
- 6 Slide the washers onto the two 20mm Allen-head screws.
- 7 Using the 5/32" Allen wrench, secure the handle mount with the two 20mm screws.

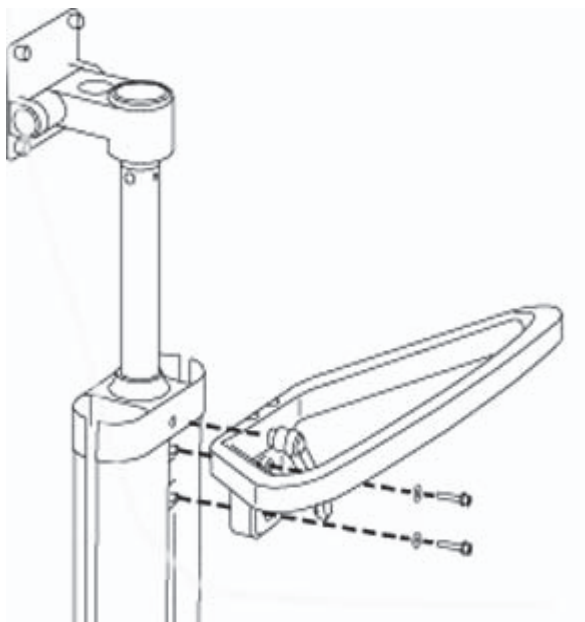
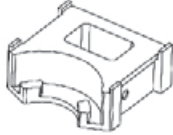


Figure 4 Attaching the handle and lever

2 Attach the clamp

- ❖ Attach the rotation limit bracket and the clamp assembly:



- Align the rotation limit bracket so that its curved side fits against the column.
- Slide the bracket up the column until it rests just beneath the horizontal portion of the stand that holds the mounting plate.

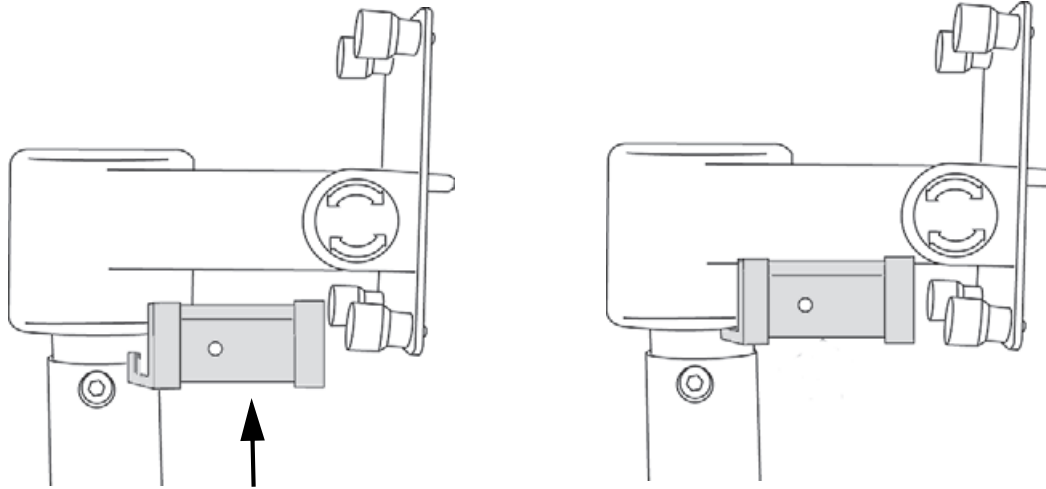
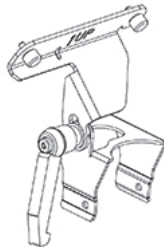


Figure 5 Attaching the rotation limit bracket



- c** Align the clamp assembly so that its curved side fits against the curved portion of the stand column just behind the mounting plate.
- d** Snap the clamp assembly on top of the horizontal portion of the stand, so that the sides of the assembly fit over the rotation limit bracket. The holes on the side of the clamp assembly align with the holes on the rotation limit bracket.

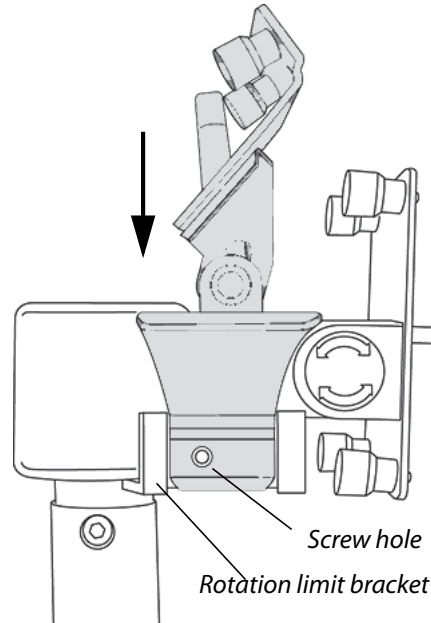


Figure 6 Snapping the clamp assembly on top of the horizontal portion of the stand (holes on the side of the clamp align with the holes on the bracket)

- e** Using a #2 Phillips screwdriver (not included), secure the two 8mm Phillips-head screws through the holes on either side of the clamp assembly and bracket.

3 Install the cover on the TTC

Before you attach the TTC to the stand, you must install the cover. The TTC cover includes the mounting bracket.

- 1 Set the TTC on a flat surface.
- 2 Align the holes on the cover with the holes on the TTC and place the cover on the TTC.

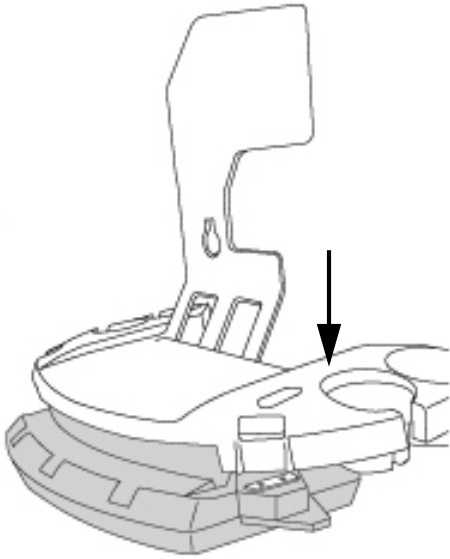



Figure 7 Placing the cover (lighter) on the TTC (darker)

- 3 Using the 5/32" Allen wrench, secure the four 1/2" screws, two on each side of the cover.

- 4 Install the snap covers . Each snap cover is labeled on the bottom with "R" or "L" to indicate orientation. One at a time, press each of the two snap covers over the screws on its side of the cover.

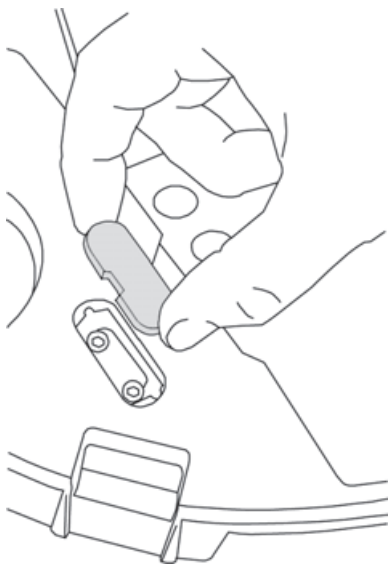


Figure 8 Installing the snap covers

4 Attach the TTC assembly to the mounting plate on the stand

- ❖ Place the clips on the top rear of the assembly over the edge of the mounting plate on the stand, so that the assembly hangs on the mounting plate. The holes on the assembly align with the pegs on the mounting plate so that the pegs slide through the holes.

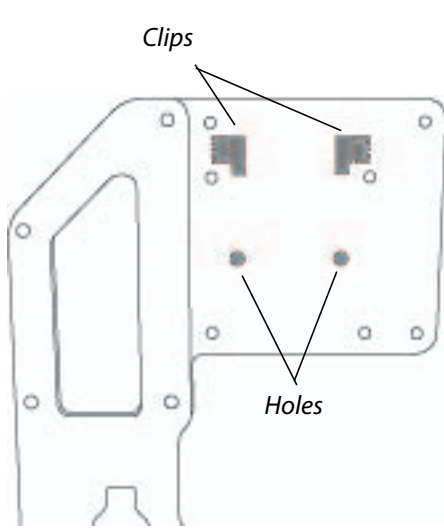


Figure 9 Clips and holes on the TTC

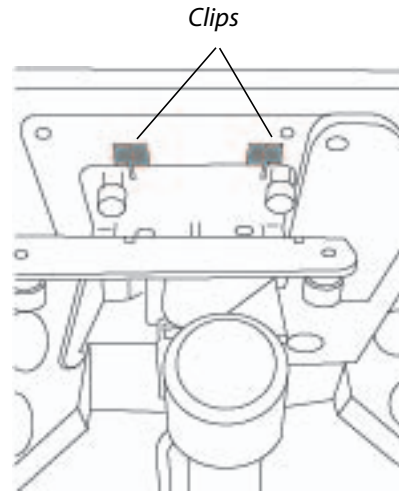


Figure 10 TTC assembly hanging on the stand (rear view)

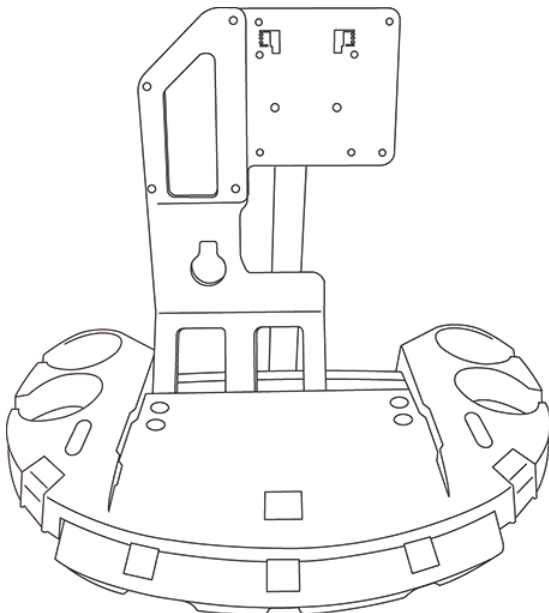


Figure 11 TTC assembly hanging on the stand (front view)

5 Mount the ultrasound system

- 1 Align the two large holes on the back of the ultrasound system with the pegs on the stand's mounting plate.
- 2 Slide the system onto the pegs and secure the four large black thumbscrews on the back of the stand's mounting plate by hand.
- 3 Loosen the lever on the clamp by turning it counterclockwise.



Figure 12 Loosening the lever on the clamp

Note: If the lever becomes blocked during rotation, disengage and reposition it by pulling outward and turning.

- 4 Tilt the system back until the two small holes on the top rear of the ultrasound system align with the two black thumbscrews on the clamp assembly.

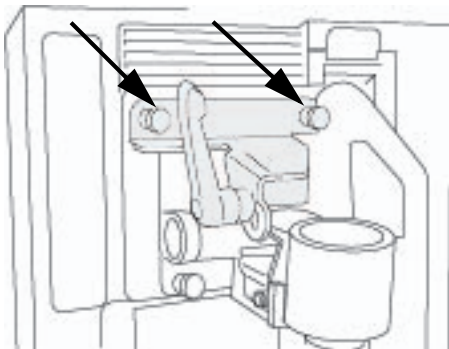




Figure 13 Secure the thumbscrews on the clamp assembly

- 5 Secure the two thumbscrews by hand, and then tighten them with the #2 Phillips screwdriver.
- 6 Tilt the system to the desired orientation.
- 7 Lock the angle of the system: Turn the lever on the clamp clockwise until secure.

Note: If the lever does not tighten completely, pull the lever out, return it to the loose position, and then turn the lever clockwise to retighten.

6 Attach cable hooks and storage cups

- 1 Attach the cable hooks  to the front of the cover. The smaller bend attaches to the cover. The large bend hangs outward.
- 2 Insert the four cups  into the cover: Align the grooves and press into place.

7 Attach the keypad tray

Note: The keypad tray is included with all kits.

- 1 Remove the stickers backings from the four velcro pads, exposing the adhesive on the keypad tray. Do not remove the velcro pads.

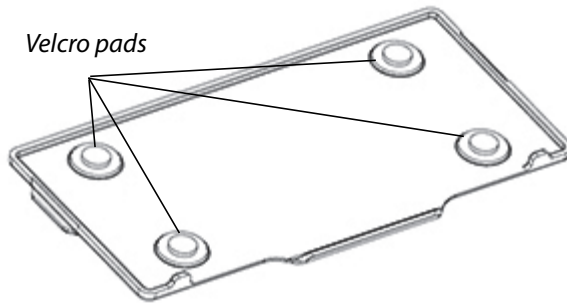


Figure 14 The keypad tray with four velcro pads

- 2 Align the keypad (optional) to the tray: Press the keypad and the tray together. This adheres the velcro pads to the bottom of the tray.

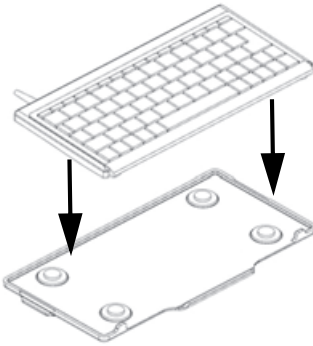


Figure 15 Pressing the keypad onto the velcro pads on the keypad tray

- 3 Thread the keypad cable through the left opening on the bottom of the TTC assembly.
- 4 Align the tabs on the side of the keypad tray with the slots in the keypad holder.
- 5 Slide the keypad tray into the keypad holder.

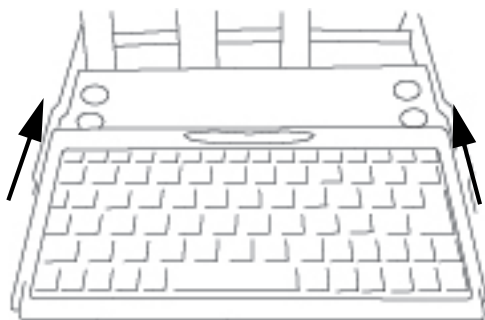



Figure 16 Sliding the keypad tray into the keypad holder

- 6 Attach the keypad cord clip  to the back of the TTC assembly: remove the white backing from the clip and affix the clip to the back of the TTC assembly as shown in Figure 16.

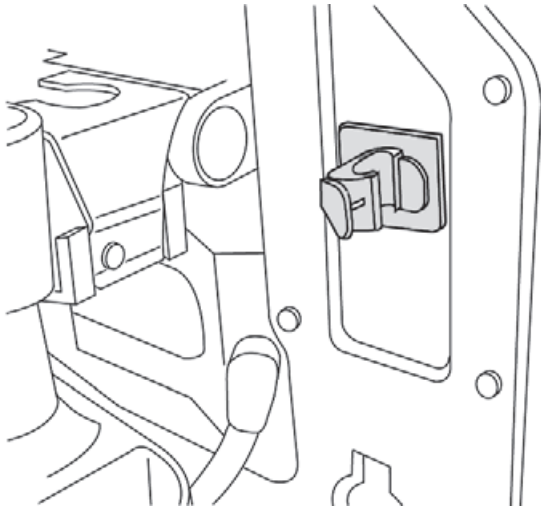


Figure 17 The keypad cord clip on the back of the TTC assembly

- 7 Secure extra cable with the keypad cord clip on the back of the TTC assembly.

8 Connect the TTC transducer connector to the ultrasound system

Note: Do not turn the ultrasound system on until you have connected the TTC to the system.

- 1 On the transducer connector attached to the TTC, pull the transducer latch up and rotate 90°.
- 2 Align and insert the transducer connector to the connector on the back of the ultrasound system.
- 3 Rotate the latch back 90° and press the latch down.

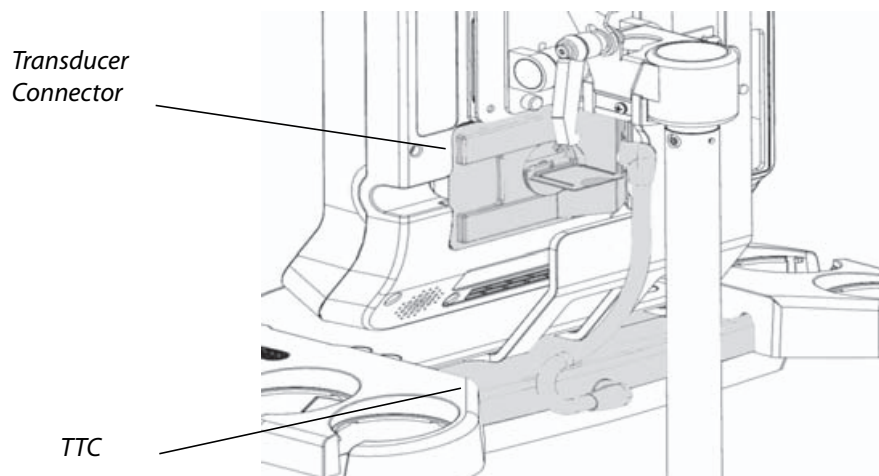


Figure 18 Connecting the TTC transducer connector (shaded) to the ultrasound system

9 Connect transducers to the TTC

- 1 Pull the transducer latch up and rotate 90°.
- 2 Align and insert the transducer connector to the connector on the bottom of the TTC.
- 3 Rotate the latch and press down, securing the transducer connector to the TTC.

Post Assembly

Select a transducer

Note: When using the TTC, you may notice a minor reduction of transducer penetration.

❖ With the system turned on, push the transducer select button on the TTC to select the desired transducer. When selecting another transducer, the light on the button flashes momentarily and then turns to a solid green.

The transducer appears in the system status section of the screen, and the system selects the default exam type for the selected transducer.

Only one transducer is accessible at a time.

Remove the TTC for service

If necessary, you can remove the TTC for service.

- 1 Remove any attached transducers.
- 2 Disconnect the transducer connector from the system.
- 3 Pry open the snap covers on the cover of the TTC with a flathead screwdriver.
- 4 Hold the bottom of the TTC to support it and use the 5/32" Allen wrench to remove the four screws beneath the snap covers

S Series, SonoSite, V-Universal, and the SonoSite logo are trademarks or registered trademarks of FUJIFILM SonoSite, Inc. in various jurisdictions.

All other trademarks are the property of their respective owners.

Copyright © 2014 FUJIFILM SonoSite, Inc. All Rights reserved.

Caution: United States federal law restricts this device to sale by or on the order of a physician.

Manufacturer

FUJIFILM SonoSite, Inc.

21919 30th Drive SE
Bothell, WA 98021
USA
T: 1-888-482-9449 or 1-425-951-1200
F: 1-425-951-1201

EC Authorized Representative

Emergo Europe

Molenstraat 15
2513 BH The Hague
The Netherlands

Australia Sponsor

FUJIFILM SonoSite Australasia Pty Ltd

114 Old Pittwater Road
BROOKVALE, NSW 2100
Australia

09/2014



P15970-02

